

**Verano**<sup>®</sup> MAKE THIS YOUR MOMENT



LOUVERED ROOFS



Spending time outside is what you enjoy all year round, rain or shine. More and more often the garden is in direct connection with the house and together both spaces form a whole. Being outside becomes living outside! A lovely place in your garden where you can unwind in the weekend with a good book or perhaps even the perfect place for your swimming pool or jacuzzi, that sounds fantastic right?

## *Make this your moment*

We want it to be about you. We want to make sure you can completely enjoy any time of day whilst at home, both inside and outside! A lovely living environment will give you that ultimate feeling of coming home. Verano®'s louvered roof will allow you to turn your house into a safe and comfortable home and give you complete control of your living environment. Make this your moment!







## NATURAL LIGHT

The garden and the terrace are receiving more and more attention. Logical, since we like to spend our time outside. Being outside brings us more into contact with natural light, which results in the producing of the happiness hormone endorphin. In addition, natural light is good for our skin and our immune system. In short: a valuable contribution to a healthy lifestyle!



## REGULATE SHADE

A louvered roof gives you the feeling of being in your garden with the same comfort as inside your home. You determine the amount of shade and sunlight that you let in by tilting the slats or sliding them open. For a south-facing terrace, preferably place the slats parallel to the facade of your home. In this way the amount of sunlight that comes in is the best controllable. Do you have a north-facing terrace? Then it is smart to place the slats perpendicular to the wall. The incidence of light can then best be regulated from the east or west. With the slats completely closed, you can create a splash-proof roof.







V599R - Ritzscreen®

V880 - Rapallo | Facade | Anthracite



### SNOW LOAD AND WIND PRESSURE

Safety is important both in and around the house. Therefore, louvered roof Arezzo has earned the CE mark CE NEN-EN 1991. This shows that the louvered roof with maximum dimensions of 6000 x 4500 mm in the Netherlands meets the European safety requirements for snow load and wind pressure according to CE NENEN 1991.



### SUSTAINABLE ALUMINIUM

The profiles of louvered roofs are made of high-quality aluminium. Aluminium has the properties that it is virtually maintenance-free and guarantees a long service life. We are the proud owner of the AluEco certificate. The AluEco foundation promotes sustainability and ensures that aluminium is recycled into high-quality products with a minimum of environmental impact.



### GUARANTEED QUALITY

We fully support the quality of our products, which is why you receive a warranty of no less than five years on your louvered roof. Our products can be recognized by the chrome-colored brand logo and the sticker with the unique product code.

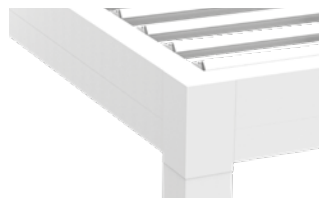


## PROFILE COLOURS

The colour of the profiles is decisive for the appearance of your louvered roof. The profiles of louvered roofs can be coated in any desired colour. The colours below can even be delivered extra fast.

### BEST-SELLING PROFILE COLOURS\*

White



Anthracite (VS 716)



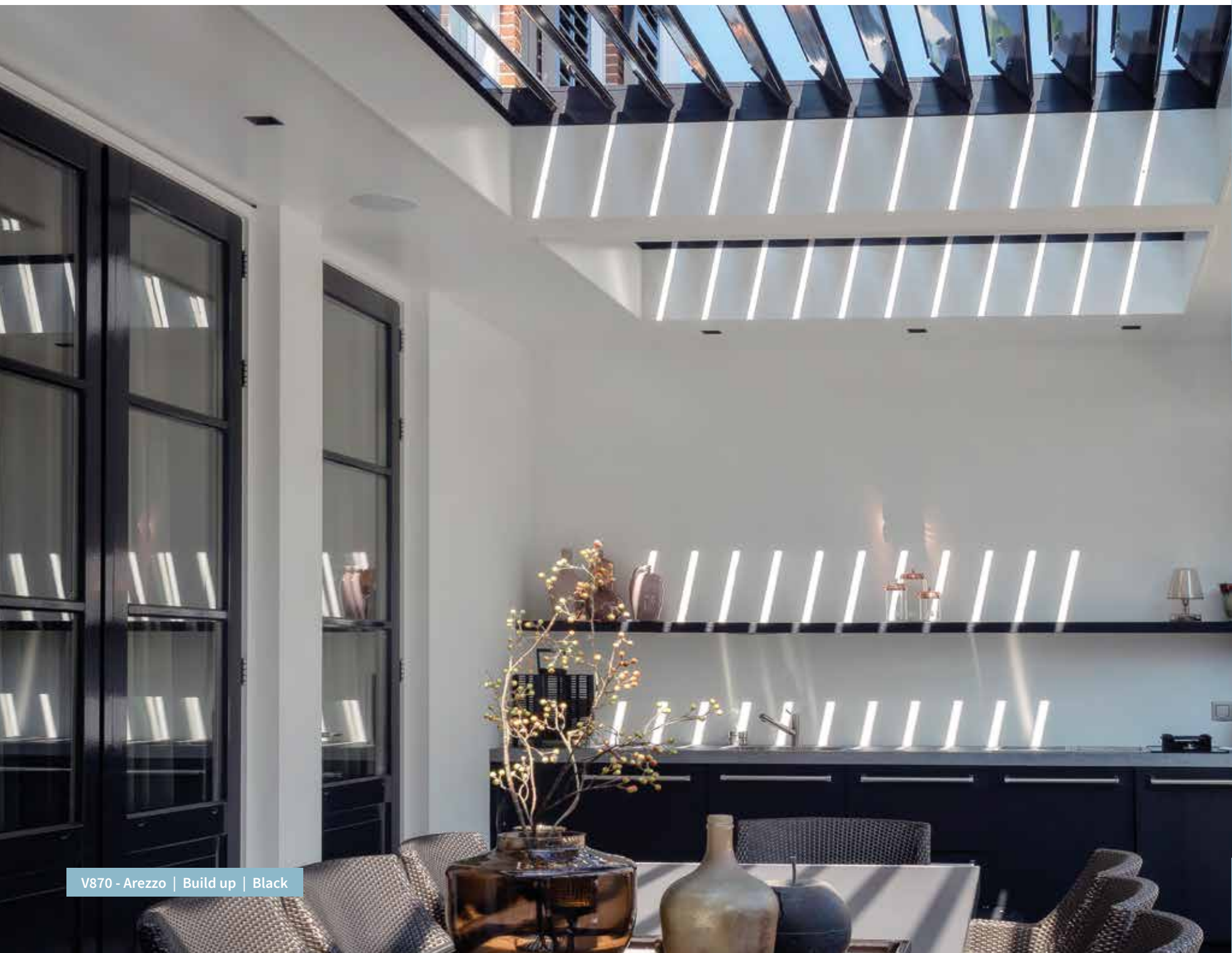
Black



\* Our profile colours are even more beautiful in real life! For this reason, always ask your Verano® partner for a colour swatch.

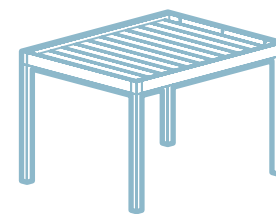






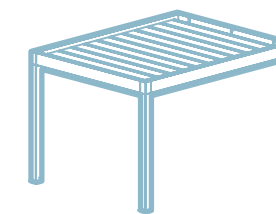
V870 - Arezzo | Build up | Black

## INSTALLATION TYPES



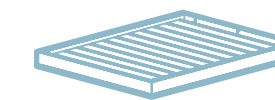
### FREESTANDING

With a freestanding installation, the louvered roof is equipped with four or six posts depending on the dimensions. The roof can be placed anywhere in your garden. To ensure that the water is drained properly, drainage is prepared in two or more stands.



### FACADE INSTALLATION

If you choose for facade installation, the louvered roof is placed with one side against the facade. Due to the mounting on the facade, no posts are placed on this side. For facade installation, drainage is also prepared in all posts, so that the water is drained properly.



### INTEGRATION OR BUILD UP

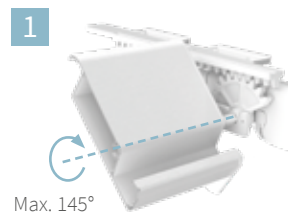
The louvered roof can also be placed on an already existing construction. If you choose for the integration / build up installation type, the louvered roof will be executed without posts.



## PRODUCT CHARACTERISTICS

## V870 - Arezzo

1

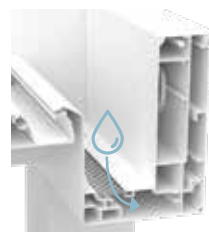


Max. 145°

**TILTING SLATS**

The slats can be tilted to no less than 145 degrees. The slats tilt with an extremely quiet motor and form a splash-proof roof when closed.

2

**STRONG WATER MANAGEMENT**

The enlarged gutters and the drain diameter ensure strong water management. In addition, the side covers of the slats ensure that no water can splash inside.

3

**SCREWLESS DESIGN**

Thanks to the way of installment, no screws are visible on the outside of the louvered roof. The control of the louvered roof is completely concealed in the beam as well, this means that no unsightly control strip protrudes above the louvered roof.







V870 - Arezzo | Facade | Anthracite

4



**INTEGRATION OF RITZSCREENS®**

The Rapallo louvered roof system can be prepared for the application of integrated Ritzscreens® for extra protection and privacy.

5



**CERTIFIED QUALITY**

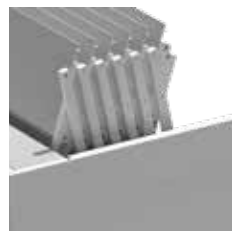
The system has the CE mark CE NEN EN 1991. This shows that the louvered roof with maximum dimensions of 4500 x 6000 mm in the Netherlands meets the European safety requirements for snow load and wind pressure according to CE NENEN 1991.



## PRODUCT CHARACTERISTICS

## V880 - Rapallo

1

**SLIDING SLATS**

The slats can be fully opened and also tilted. The slats open, close and tilt with an extremely quiet motor and form a splash-proof roof when closed.

2

**INTEGRATION OF RITZSCREENS®**

The Rapallo louvered roof system can be prepared for the application of integrated Ritzscreens® for extra protection and privacy.

2

**ALUMINIUM TILT SYSTEM**

The high-quality tilt system of the slats is made of aluminum. This provides a greatly improved functional and aesthetic result.





## EXPANSION OPTIONS

If you spend most of your time outside, then a louvered roof should not be missing on your terrace or in your garden. Are you looking for the ultimate outdoor experience? Louvered roofs can in many cases be expanded with:

- **V764 - OLIVERA** | Slidable glass wall
- **V550 - RITZSCREEN®** | Ritzscreen
- **V755 - NOVA** | Sliding frame

Would you like more information about the related products for louvered roofs? Your Verano® partner is happy to give you professional advice tailored to your personal situation.



V764 - Olivera | Anthracite

## V764 - OLIVERA

The Olivera is a sliding glass wall with 8 mm or 10 mm of tempered glass. The glass panels are positioned on a smooth running, anodised rail and are equipped with a transport function. The Olivera can be used with all Verano® patio awnings and various other existing situations. The Verano® partner is happy to give you professional advice.



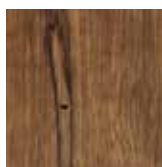
## V755 - Nova

The Nova consists of a smoothly running sliding frame, equipped with wooden or aluminium lamellae. The slanted position of the lamellae means the sliding frame can offer protection against sunlight and wind. The frame also makes sure the view from outside is obstructed, which means the sliding frame is ultimately suitable for creating privacy on a terrace.

### SLATS\*

#### WOOD

Varnished



Grey

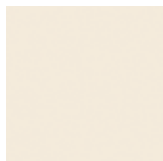


#### ALUMINIUM

Grey



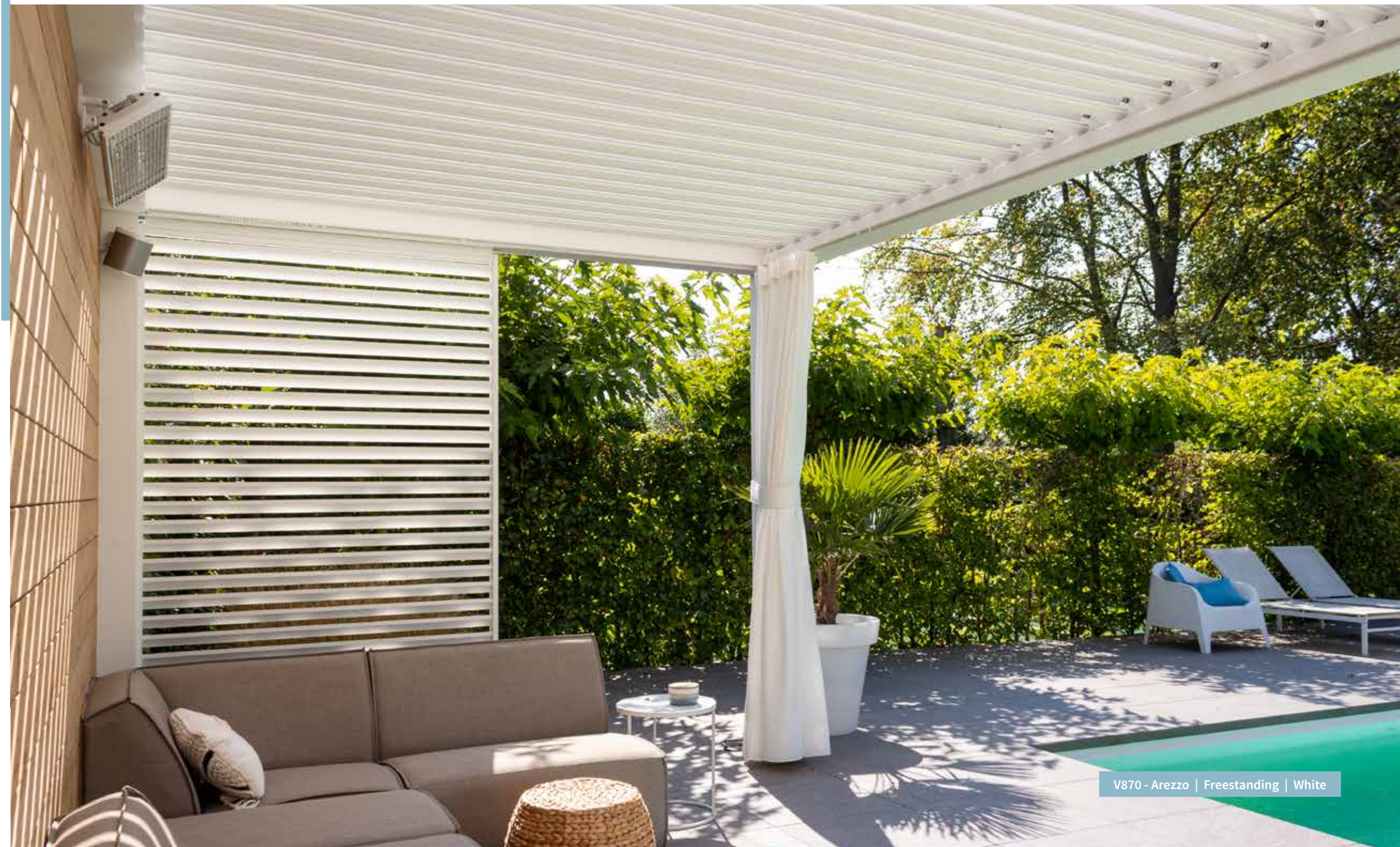
Ivory



Anthracite structure



\* Our profile colours are even more beautiful in real life! For this reason, always ask your Verano® partner for a colour swatch.





## RITZSCREEN® V870 - AREZZO

Zip screens are mainly known for their application to windows. The screen fabric repels incident sunlight, breaks the wind and keeps insects out. For these reasons, however, zip screens are also extremely suitable to provide extra protection under a louvered roof or veranda. Do you opt for integration of the screen guides in the uprights of the louvered roof? Then the products merge seamlessly into one another!



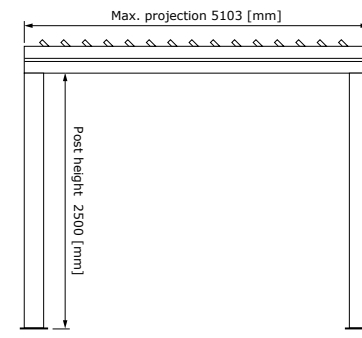
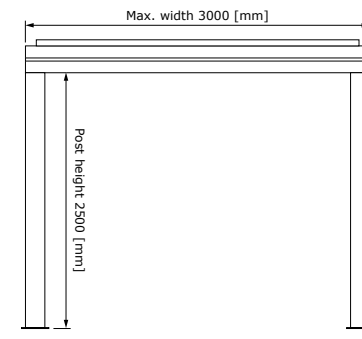
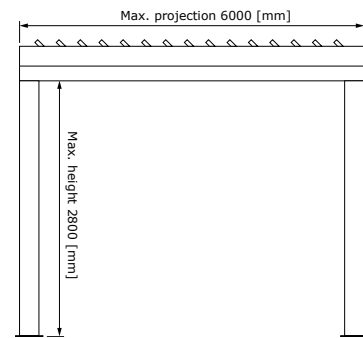
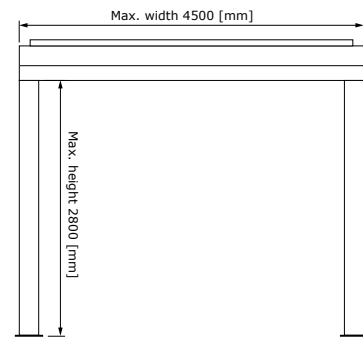
## LED LIGHTING

Your covered terrace is the place to spend pleasant evenings. Not only in the middle of summer but also early spring and late autumn. With LED lighting in the louvered roof, you can easily light up your terrace at dusk, which is not only practical but also very atmospheric. The LED lighting is incorporated in strips in the profile of the louvered roof, in this way the sleek design of roof is retained.





# SIZES



Type	V870 - Arezzo	V880 - Rapallo
Max. width [mm]	4500	3000
Max. width linked [mm]	No maximum with when linking	6000
Max. projection [mm]	6000	5103
Slats fully openable	-	✓
Max. tilt of slats	145°	90°
Lighting option	LED strip around	LED strip around
Overhang	350 - 1200	-





**Also have a look at our other brochures:**

- Brochure garage doors
- Brochure glass and sliding walls
- Brochure window styling
- Brochure ritzscreens®
- Brochure verandas
- Brochure windscreens and fences
- Brochure sun awnings

No rights can be derived from this brochure.  
20254909-201005EN

