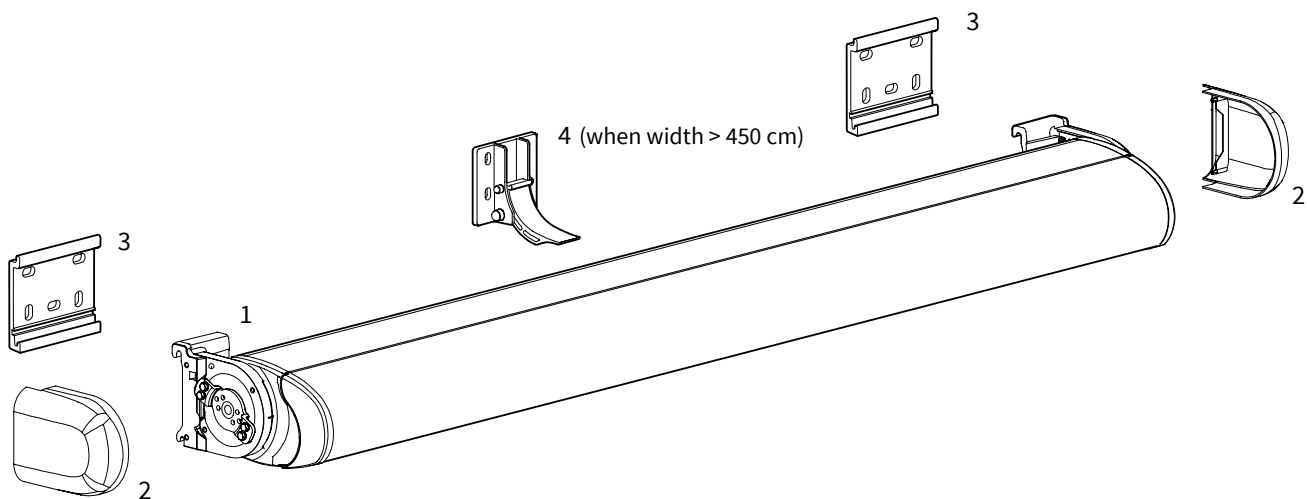




INSTALLATION MANUAL  
**AWNING V285 - RECIFE**

## Content

1. Awning
2. Side caps 2x
3. Wall supports 2x
4. Center support(s) (with an awning bigger than 450 cm)
5. Locking bolts 2x, provided with nuts
6. Control
  - a. Electrical: Switch and plug
  - b. Remote controlled: Remote control and plug



## Necessary tools

- Drilling machine
- Support drill 10/14 mm
- Crosshead screwdriver
- Socket wrench 10/13/17
- Keyset
- Tapeline
- Plumb rule
- Pencil

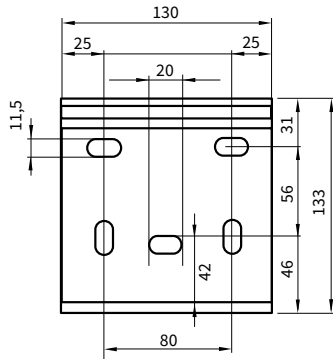
In case of electrical control:

- Nippers
- Flathead screwdriver

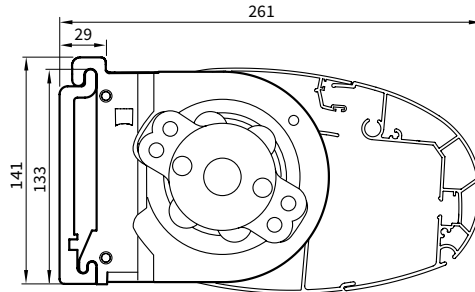
## Specifications

### Wall mounting

Sizes in mm

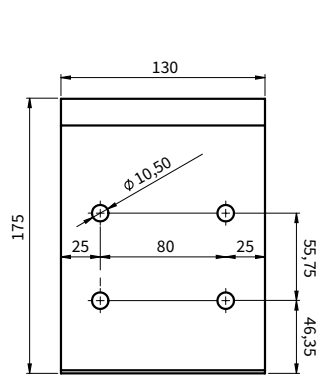


Front view wall support

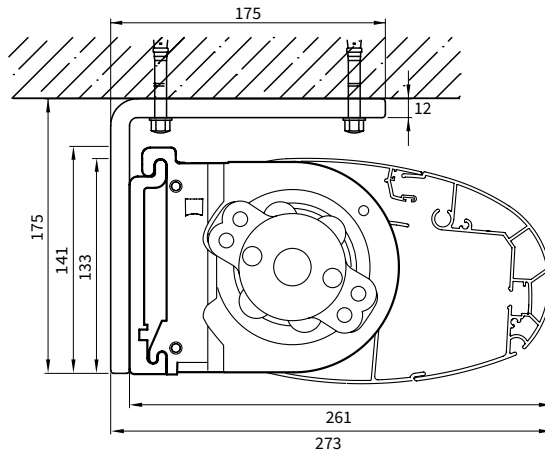


Awning section

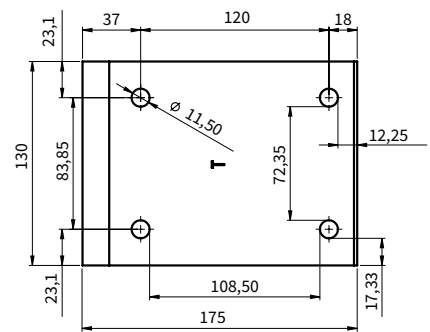
### Ceiling mounting



Front view ceiling support



Awning section



Top view ceiling support

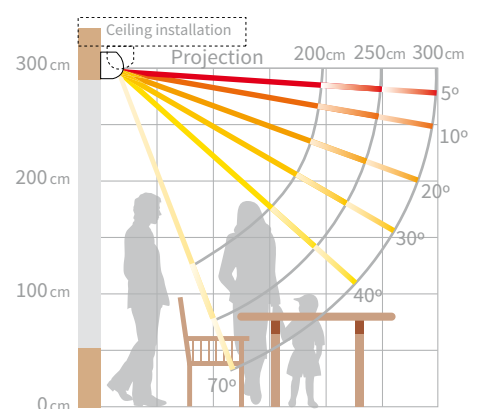
### Minimum width per fabric projection

Projection [mm]	Minimum awning width [mm]
2000	2310
2500	2810
3000	3400

### Width (W)

Minimum 2310 mm	Maximum 6000 mm
-----------------	-----------------

### Projection



## Important before mounting

### General warning

Mounting the Verano® product yourself is at your own risk. Only use this instruction as a tool and for the mounting of this specific Verano® product. If you cannot mount the product yourself, you can always opt for professional mounting. The mounting team of Verano® is pleased to help you.

### Be careful for damages

Don't use a knife or any other sharp object when opening the packing. This may cause damage to the content of the package. Put the content of the package on a soft surface. Be careful when drilling, falling drill cuttings can cause damages.

Check if the window frame or façade is flat and smooth.

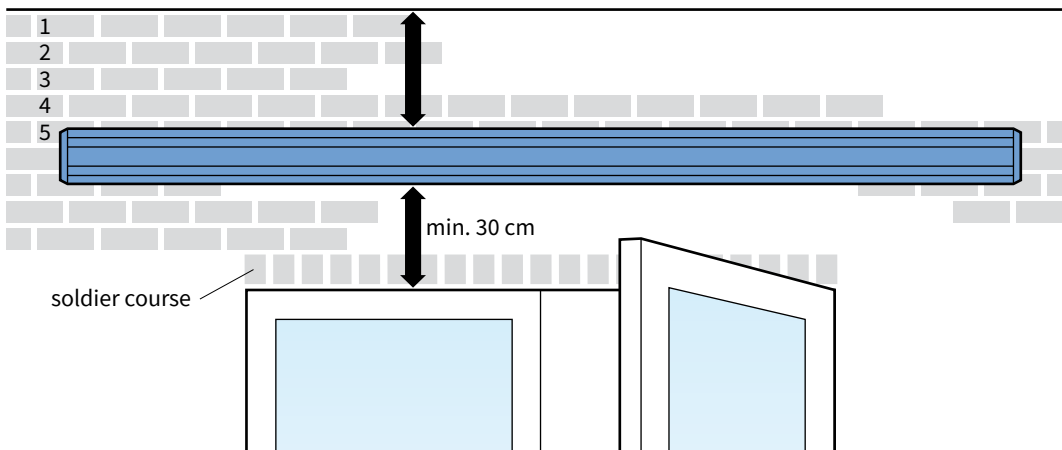
### Check the mounting height

Make sure that you have enough mounting height on your façade to place the awning. Above the wall support (mounting support) have to be 5 rows of stones to prevent too much pressure on the façade. This is not often the case with a house-extension. It is recommended to drill the mounting hole in the fifth stone (minimum) measured from the top.

### Wall strips

When there are fewer than five rows of stones above the wall support, wall strips have to be used. These strips divide the forces over a bigger wall surface when the walls are too weak. View page 11 for extensive instructions.

**Attention!** Make sure there is no mounting point in the soldier course. These are often half stones.



### Sliding door

When the awning is fully open, it hangs down under the angle. Therefore we advise to keep at least 30 centimeters between the window frame and the awning in a situation with sliding doors to the outside. When possible, it is advisable to hang the awning higher than 30 centimeters above the window frame.

## 1. Mounting wall supports

### 1.1 Marking the holes

Mark the holes for the wall supports (A) and potential for the intermediate support (B) on the wall. These holes need to be aligned level, horizontal and vertical, according to the sizes X and Y in figure 1.1.

**Attention!** Size X is the width of the awning without side covers. Make sure that there are at least two holes in the middle of a stone. View figure 1.2.  
If necessary, use an alignment string.

X = width of the awning without side covers.  
Y = height of the window frame plus a minimum of 30 cm.  
A = wall support, always use four bolts.  
B = center support, with an awning bigger than 450 cm.

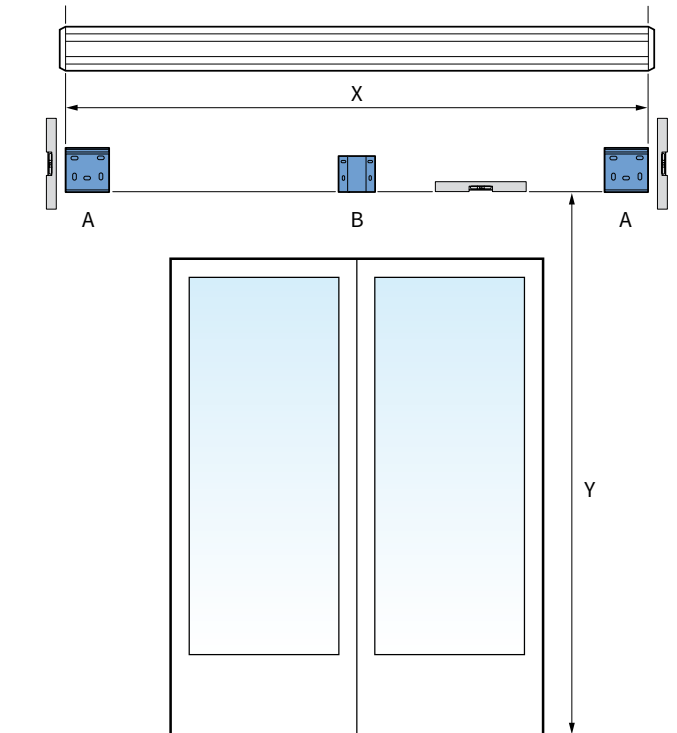


fig. 1.1 Placing wall supports

### 1.2 Drilling the holes

Drill the mounting holes. Our advise is to drill with a 14 mm masonry drill in case of a wall made of concrete or stone. Use matching plugs and bolts of high quality. Mount the wall supports (A) and potential the intermediate support(s) (B) and tighten the bolts. View figure 1.2.

**Attention!** Mount only the mounting plate from the center support. The adjustable part will be placed later on.

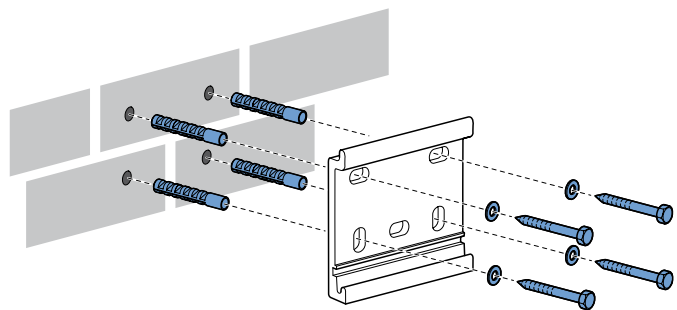


fig. 1.2 Mounting the wall supports

### 1.3 Drilling the hole for control

If you want to connect your wall control on the inside, measure the place of the control hole carefully. This depends on your personal preference and situation. Drill inwards with a 10 millimeter drill. When drilling through the wall, it is advisable to place a shelf against the inner side of the wall to prevent damages to the wall.

## 2. Mounting the awning

### 2.1 Placing the awning

1. Hang the awning in the wall supports (A). View figure 2.1 and 2.2.
2. Make sure that the awnings is mounted level. If not, correct this.
3. Slide the adjustable part (B2) of the center support to its place in the mounting plate (B1). Make sure that de adjustable part falls in the back of the slot of the awning. View figure 2.3.
4. Install the adjustable part (B2) with adjusting bolt #10 and adjusting bolt #13.

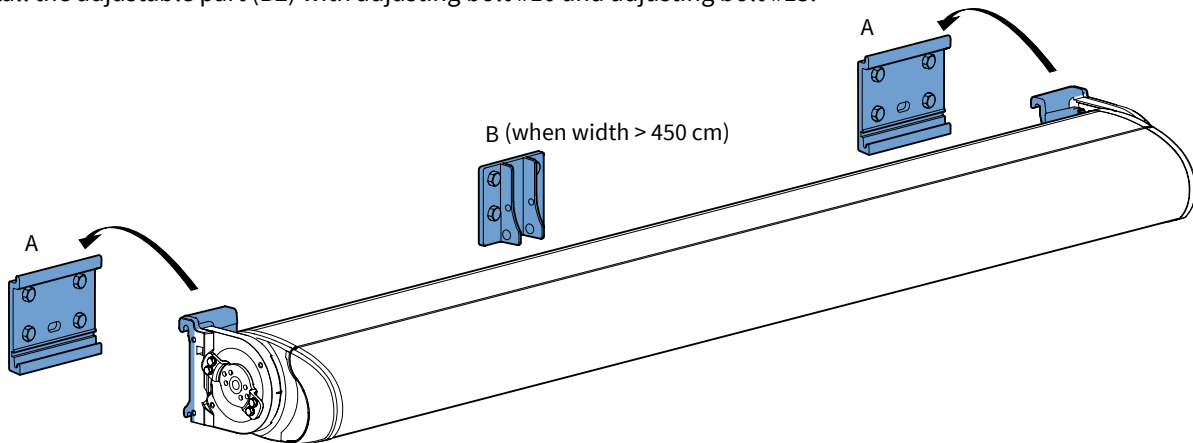


fig. 2.1 Hanging the awning

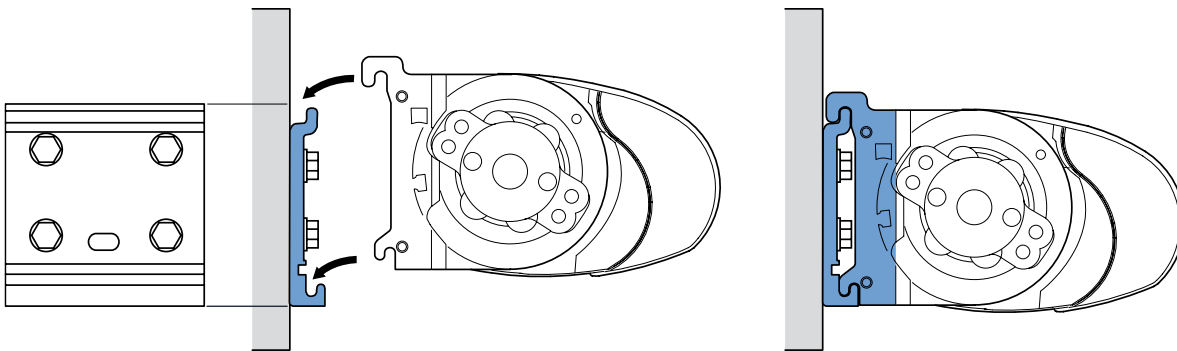


fig. 2.2 Detail wall support A

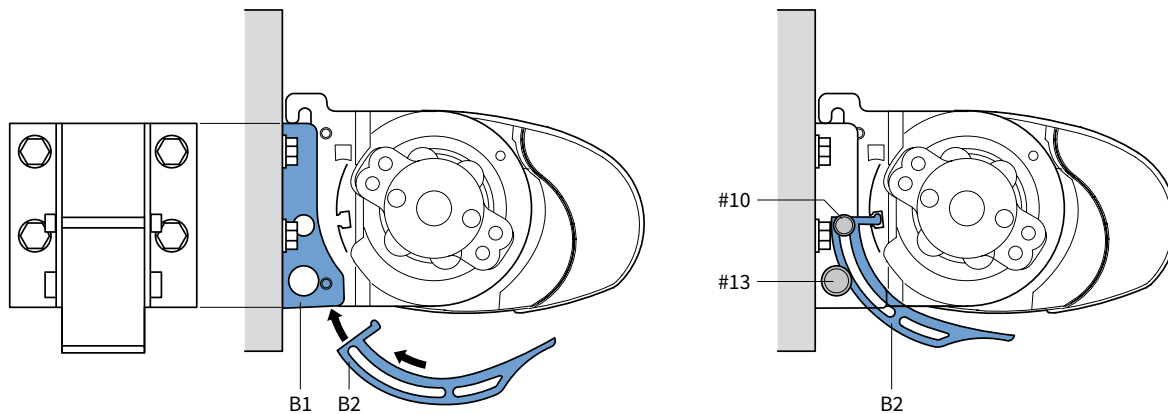


fig. 2.3 Detail wall support B

## 2.2 Securing the awning

1. Slide the locking block over the wall support (A). View figure 2.4.
2. Secure the awning by screwing the locking block with the included screw.
3. Repeat this on the other side of the awning.

**Attention!** The awning may never be opened before the locking blocks are applied.

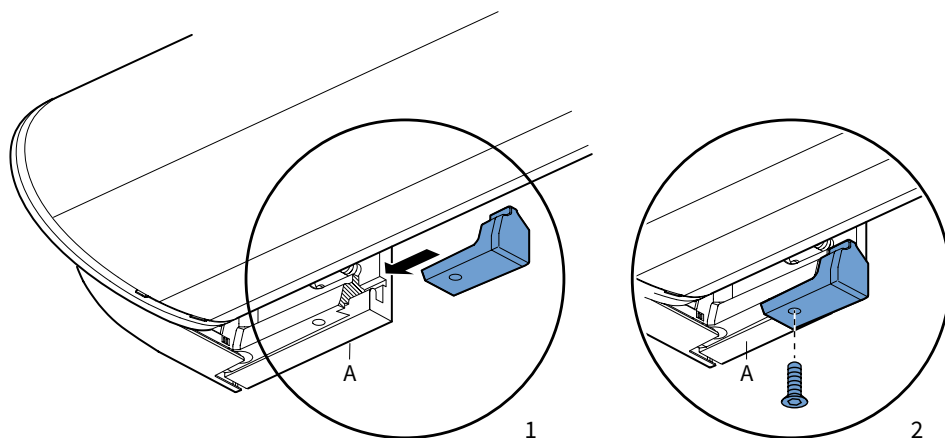


fig. 2.4 Detail locking block

### 3. Electrical wall control

#### 3.1 Connecting the wall control

Follow the steps below:

1. Check the position of the motor (left or right) seen from the outside.
2. When you have the control inside, first feed a cable through the hole in the wall that you drilled earlier.
3. Connect the four-conductor cable of the motor and the three-conductor cable with plug according to the scheme below.
4. Insert the plug in the power socket.
5. The awning is now connected. Before you continue the installation, check if the awning correctly unrolls itself.

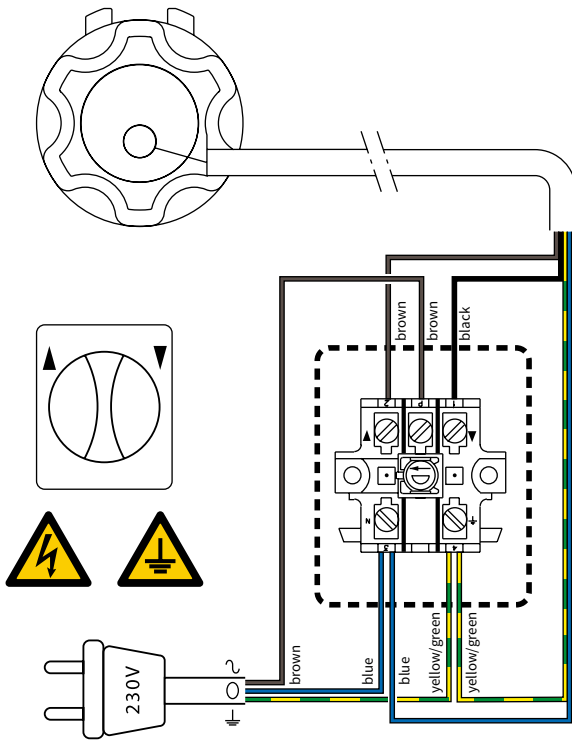


fig. 3.1 Motor left (seen from the outside)

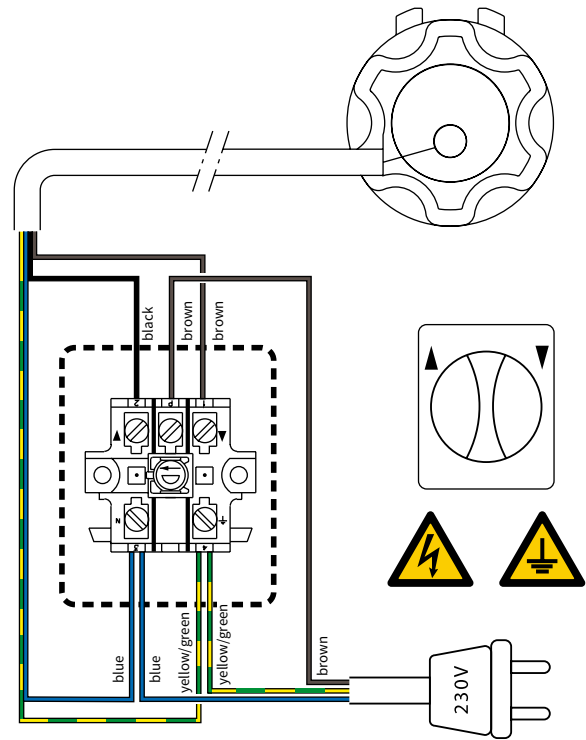


fig. 3.2 Motor right (seen from the outside)

#### TIP! Luting the hole

In a situation of an electric wire to the inside, we advise to lute the hole where the wire enters. This in order to prevent moisture from slipping to the inside. Attention! Do this both on the inside and outside.

#### 3.2 Standard factory adjustment

The motor control is standard set.

View the included [instruction for the motor](#) and the possible [remote control](#) for more information.



## 4. Remote control

### 4.1 Connecting the remote control

Follow the steps below:

1. If you have the power inside, please first enter the cable through the hole you drilled earlier.
2. Mount the plug regarding to the following color scheme:
  - Brown            220V
  - Blue              220V
  - Yellow/Green    Grounding
  - Black             Don't connect
  - White             Don't connect
  - Orange            Don't connect
3. Insert the plug in the power socket.
4. The sun awning is now controllable with the programmed remote control.  
Before you continue, please check if the awning rolls in and out correctly.

#### **TIP! Luting the hole**

In a situation of an electric wire to the inside, we advise to lute the hole where the wire enters. This in order to prevent moisture from slipping to the inside. Attention! Do this both on the inside and outside.

## 5. Incline angle

### 5.1 Standard factory adjustment

The height of the front bar is standard set between 1,80 meter and 1,90 meter at a mounting height of 2,70 meter.

### 5.2 Adjusting the incline angle

When you want to adjust the awning other than the factory adjustment, follow the steps below:

1. Roll the awning out by using the wall switch or remote control.
2. The slope of the awning can be determined with the help of an allen bolt which can be found on the left and right beneath the mounting bracket. View figure 5.1.

Lift the front bar while loosening, so that the allen moves easily.

3. Release the front bar to determine if the angle is to your liking.
4. Repeat this, when necessary, on the other side of the awning and check if the front bar is still hanging straight.

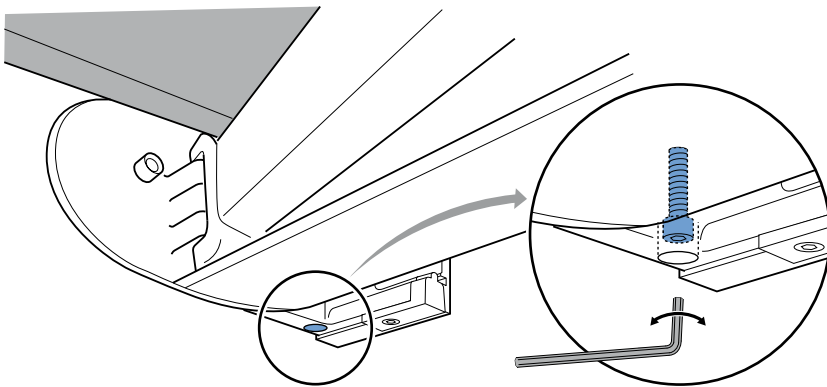


fig. 5.1 Location allen bolt left

## 6. Valance

### 6.1 Placing the valance

Follow the steps below to place the valance. View figure 6.1.

1. Remove on one side the cover of the front bar. The fabric tendon is stored in the front bar.
2. Slide the fabric tendon in the valance on the open side of the fabric.
3. Slide the valance carefully in the therefore intended recess. Please guide the valance carefully to prevent tears!
4. Place the cover on the front bar.

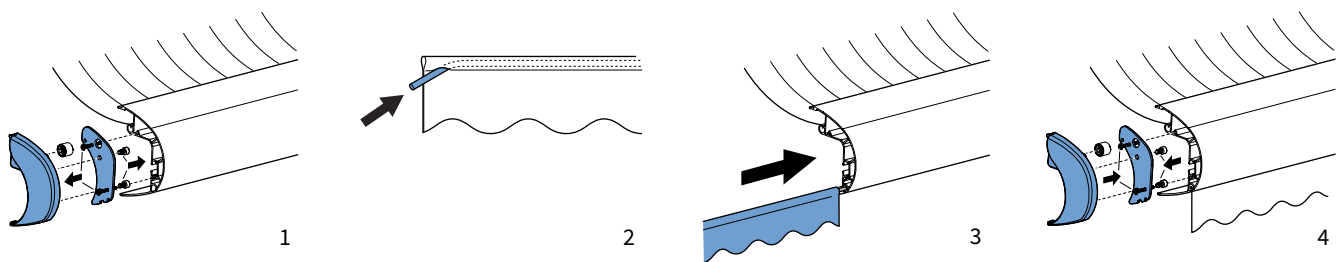


fig. 6.1 Placing the valance

## 7. Finishing the awning

When the awning is adjusted, the side covers can be clicked to the left and right side of the awning.  
The awning is now fully installed.

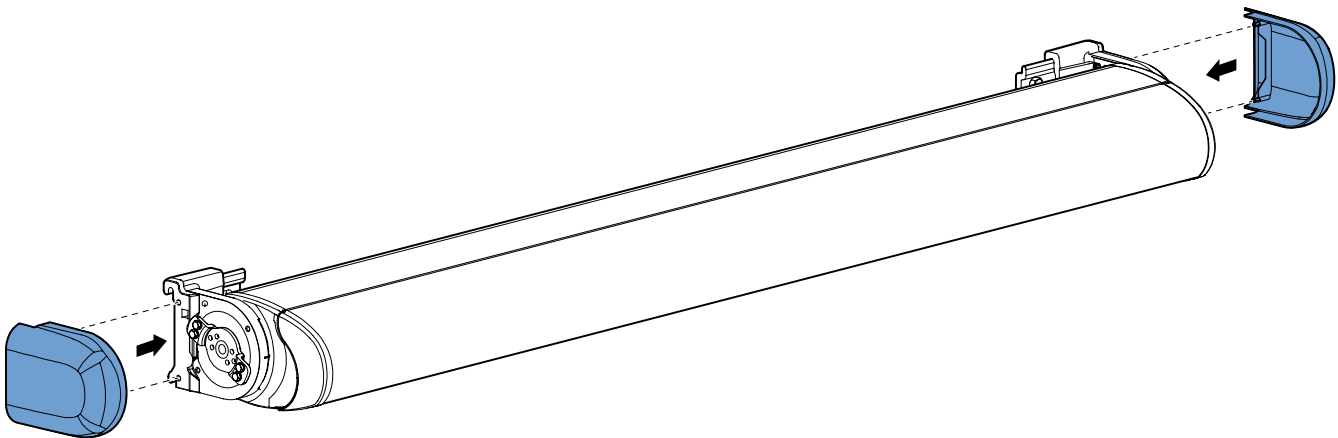


fig. 7.1 Mounting the side covers

## 8. Wall strips

Wall strips must be used at a situation with less than five rows of stones above the mounting place. The strips divide the power over a bigger wall surface, so that the wall can carry more weight. View figure 8.1

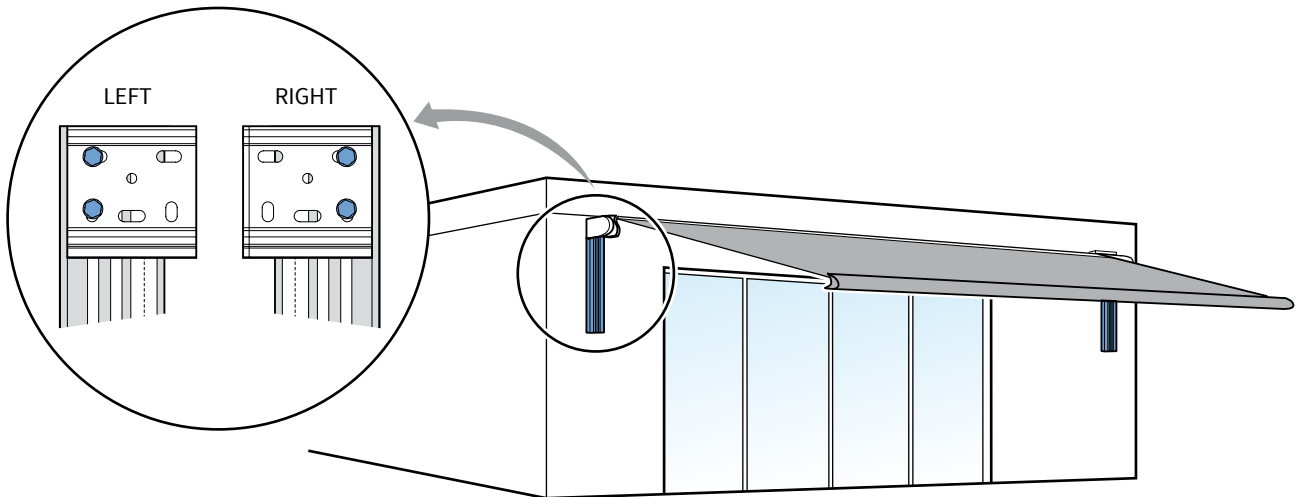


fig. 8.1 Using the wall strips

### 8.1 Mounting the wall strips

Follow the steps below when mounting the wall strips (view figure 8.1 and 8.2):

1. Mount the wall brackets on the wall strips as high as possible. In this mounting, it is sufficient to use two bolts because the wall strip carries the weight of the awning.

**Attention!** The left wall strip is turned 180 degrees pertaining to the right wall strip.

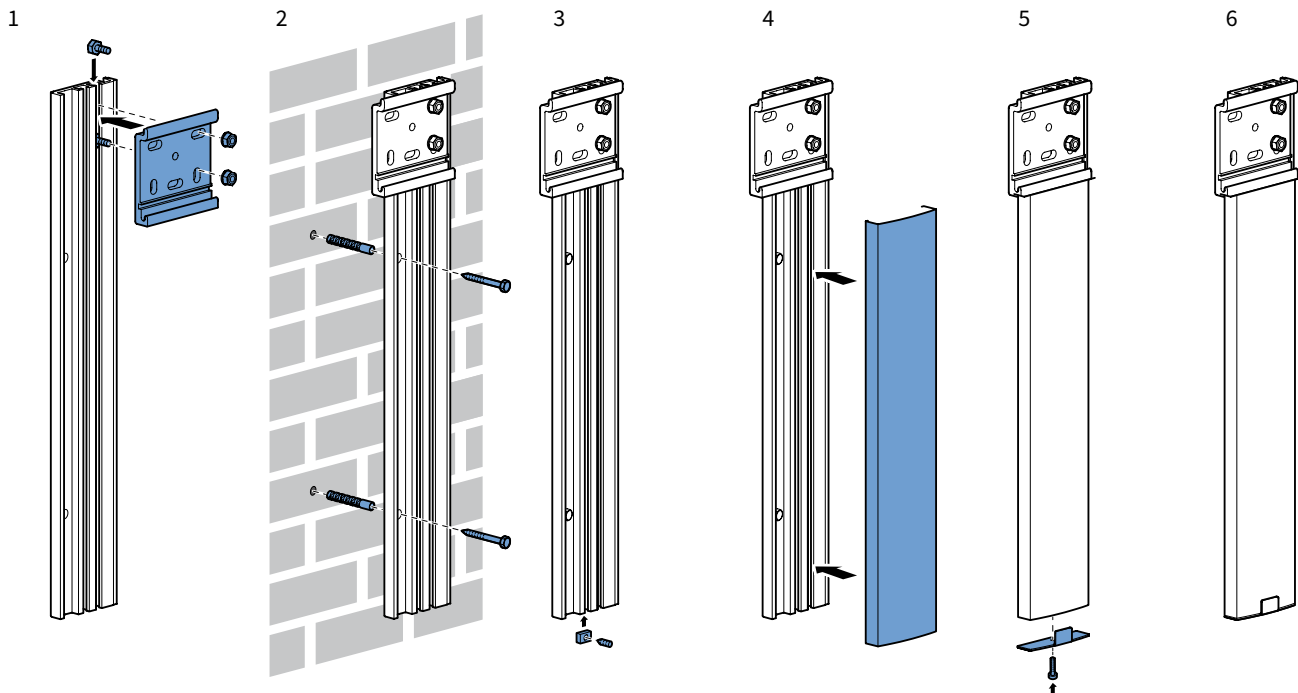


fig. 8.2 Mounting the wall strip right

2. Measure the strips carefully on the wall. Keep the placing of the wall brackets on the strips and width size X in figure 1.1 in mind. The wall strips need to be levelled horizontal and vertical. The mounting holes need to be in the middle of the stone. If desired use a align cord. Mount the wall strips tight to the wall.
3. Mount the fixation block beneath the wall strip. This block is needed for fixing the cover.
4. Place the cover on the lower part of the wall strip. You first need to cut this to the right size.
5. Mount the cover on the fixation block in the bottom of the wall strip.
6. The mounting of the wall brackets on the wall strips is ready. You can now continue with the placing of the awning.

## **8.2 Mounting the wall strip on an centre support**

In a situation with one or more centre supports, the wall strip needs to be mounted first. Mind open patio doors. When preferred, you can cut the wall strip custom.

## 9. Ceiling mounting

### 9.1 Mounting the ceiling brackets

The awning can also be mounted to the ceiling using ceiling brackets (view figure 9.1).

1. Mount the mounting brackets to the ceiling brackets.
2. Measure the ceiling brackets on the ceiling. Please mind the placing of the wall brackets to the ceiling brackets and width size X in figure 1.1.
3. Mount the ceiling brackets including the mounting brackets to the sealing. Always use four bolts!
4. Follow the instructions from page four in this instruction manual.

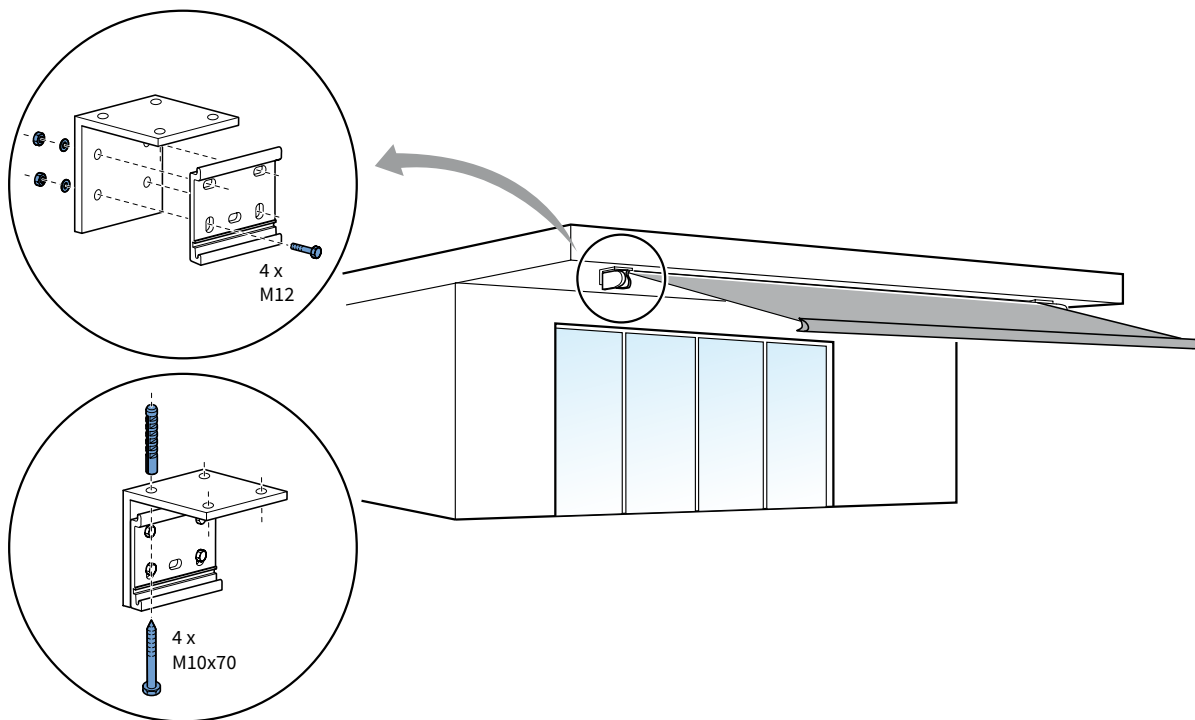


fig. 9.1 Ceiling mounting

### 9.2 Using ceiling brackets

You can use the ceiling bracket in two ways. View option A and B in figure 9.2. Option A is mostly used for fixing.

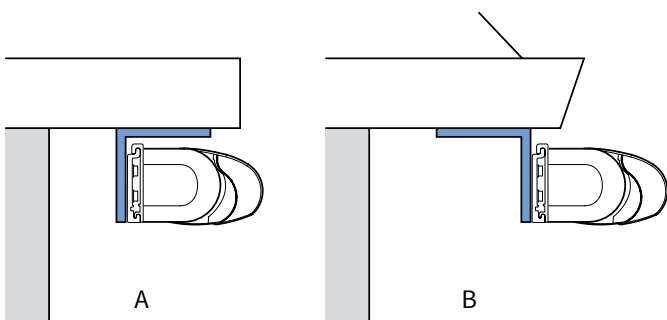


fig. 9.2 Using ceiling brackets

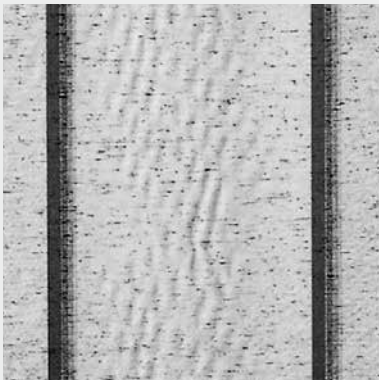
## User information

A high quality cloth is integrated into your chosen screen. In view of optimal quality we have chosen a high technology production process in which every step of the production is strictly selected. By way of automation, permanent checks, laboratory tests and finely detailed after-care, nothing is left to chance. This allows us to guarantee the resistance as well as the strength and durability of the colours of your screen for many years to come.

Starting with a completely pigmented poly-acryl material, which gives it its exceptional quality, our screens have the advantage of total monitoring during the production process. In spite of all this there may be small irregularities in your screen that are difficult to detect and impossible to avoid. They are inherent in all technical materials but do not reduce the technical presentation and durability of your screen.

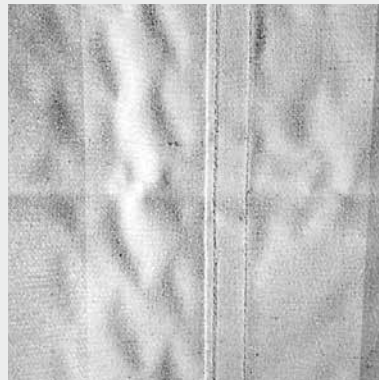
Waffling, chalk stripes, small pleats next to the seam or in the middle of the screen or nap can appear. The retailer cannot be held responsible for these irregularities.

Cable motor: if broken off, cannot be guaranteed.



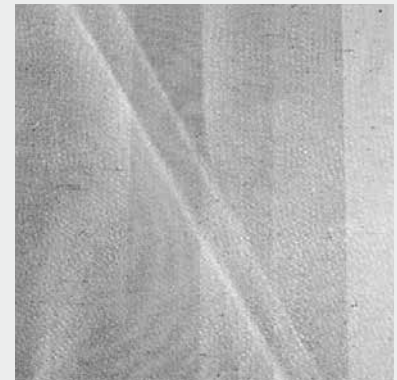
### **Wave forming or wrinkle forming**

All technical materials can display these symptoms in the middle of a canvas. They are especially noticeable with backlight through the difference in light reflection.



### **Wave forming**

Next to the seams, caused by the unavoidable tension difference in rolling up.



### **Fold stripes/ chalk stripes**

A fold caused during the manufacture, can show a darker stripe by light reflection. This is mostly noticeable in lighter coloured blinds.

These small irregularities have no effect whatsoever on the quality of the screen and do not constitute the screen being replaced. However do inform us if you notice any irregularities in colour fastness, decay or resistance, in fact in any of the basic characteristics of our 2-year guarantee.