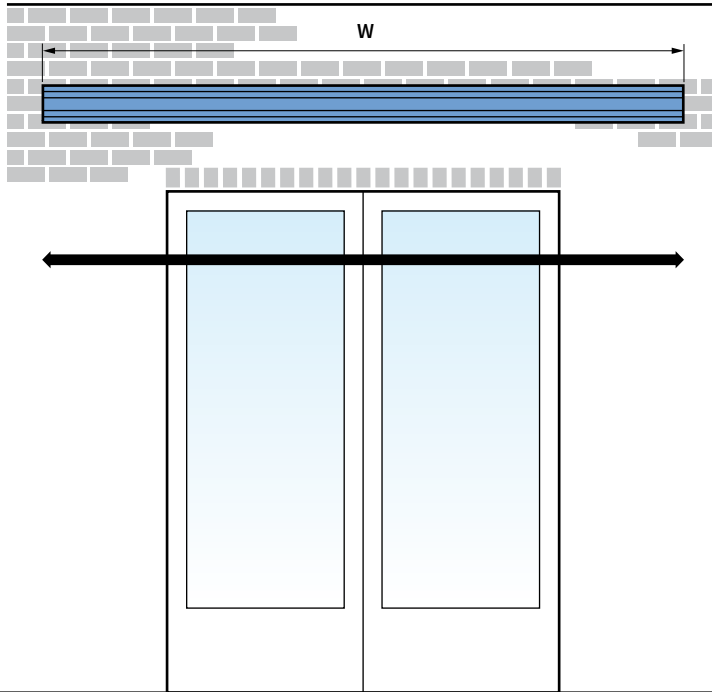


A good preparation!

Keep the steps below into account before you order a awning.

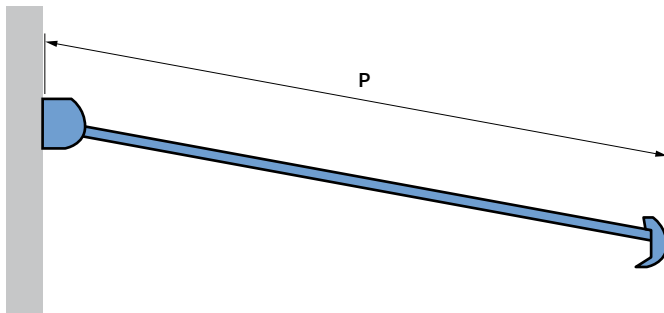
1. Determine the desired width.



An awning ensures that sunlight will not enter the house, but also provides a shady terrace in your garden. It is therefore advisable to measure the awning as wide as possible, but always stay 20 cm inside the outer corners.

Width (W) = _____ mm

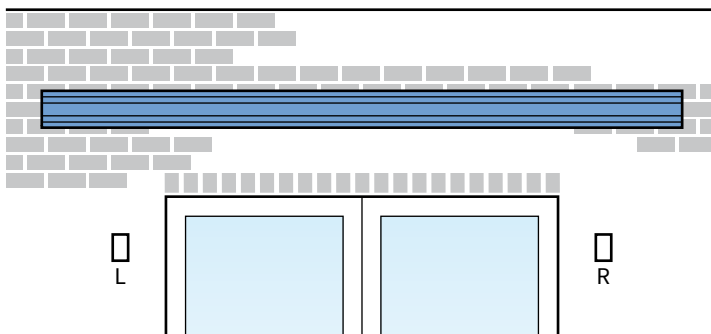
2. Choose the desired projection.



Projection is the maximum distance between the wall and the front bar. The bigger the projection, the bigger the effect of the sun awning. For more information, please see the specifications on page 3.

Projection (P) = _____ mm

3. Choose the control side.



Determine the control side. The control side is always seen from the outside.

- Left
 Right

Attention! If the wire of the electrical control (outside) goes in on the left side, the wire is, seen from the inside, on the right side and vice versa.

Extra attention points!

Watch for any obstacles!

Take rain pipes and other obstacles that can obstruct mounting on the wall into account.

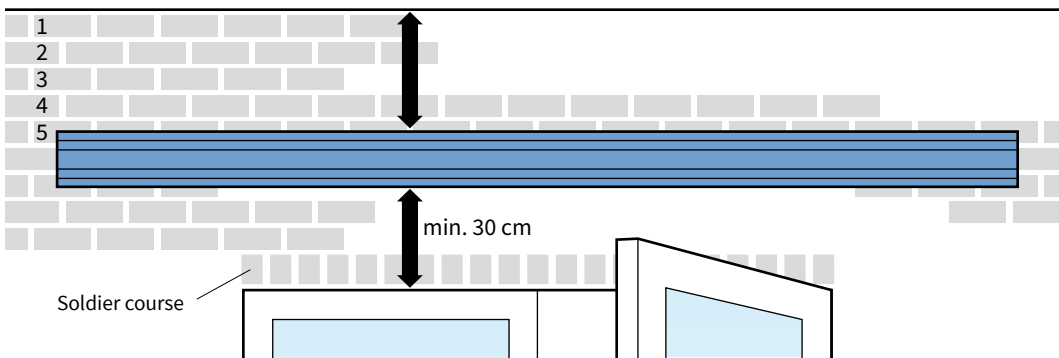
Check the installation height

Check if you have enough installation height on the façade to install the awning. Above the wall supports (installation support) need to be five rows of stones to prevent the amount of pressure on the façade. Especially with an extension, this can not be the case. It is advisable to drill the top installation hole in the middle of the fifth stone from the top.

Attention! Make sure that there is not an installation point in the rowlock. Mostly, these are often half stones.

Patio doors and windows

If the awning is open, the awning hangs in a downward angle. Keep at least 30 centimeters between the window frame and the underside of the awning. It is advisable to install the awning higher than 30 cm above the window frame.



Height front bar

Make sure that you have enough space for the installation hole on the façade, so that the front bar has enough height and you can enjoy the projection optimally. For a good passage, a minimal installation height of 2,40 meter is necessary. You can set the pitch of the awning yourself. Please see the specifications on page 3.

Wall strips

If there are less than five rows of stones above the wall support, wall strips need to be used. These strips divide the powers over a bigger wall surface if walls are to weak.

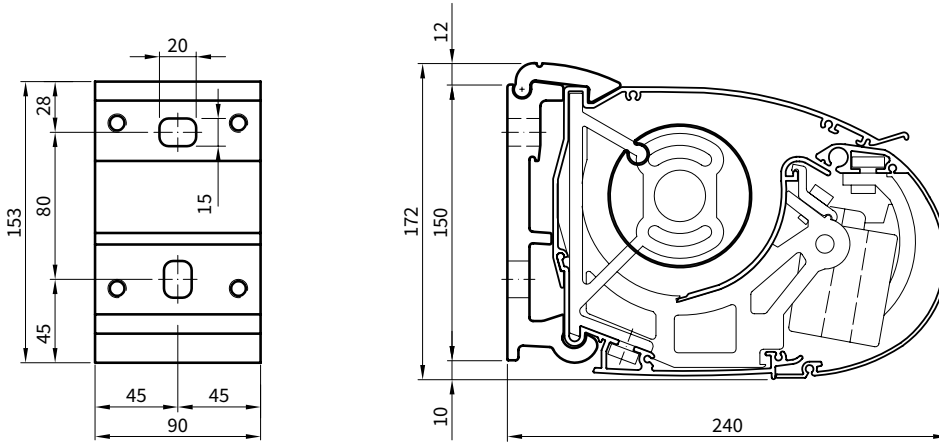
General warning

Measuring the Verano® product yourself is at your own risk. You are responsible for measuring the right sizes. Use this instruction only as a tool and only for measuring this specific Verano® product. When you are not sure about the measuring and you don't want the risk of ordering a wrong product, use the measuring service of your Verano® dealer.

Specifications

Wall mounting

Sizes in mm

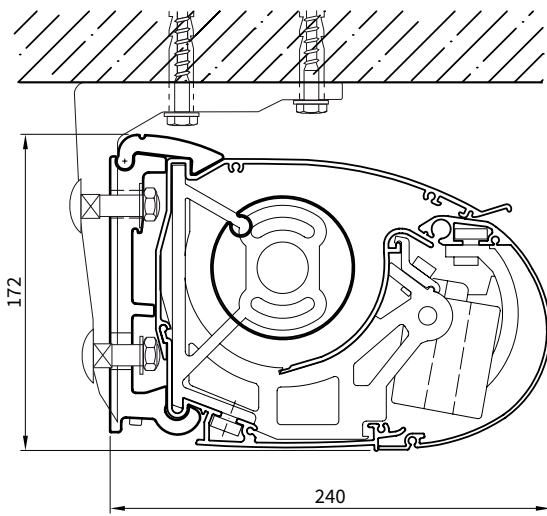


Front view wall support

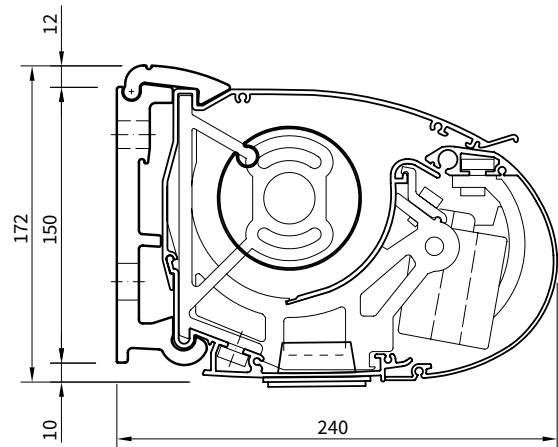
Section view awning

Ceiling installation

Integrated lighting included

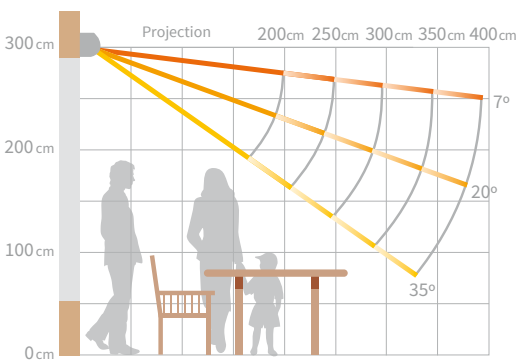


Section view awning



Section view awning

Projection



Minimal width per fabric projection

Projection [mm]		Manual control [mm]	Electrical control [mm]
1500	2-Arms	2040	2000
2000	2-Arms	2400	2360
2500	2-Arms	2990	2950
3000	2-Arms	3480	3440
3500	2-Arms	3980	3940
4000	2-Arms	4480	4440
2500	3-Arms		4370
3000	3-Arms		5200
3500	3-Arms		5870
4000	3-Arms		6620
2500	4-Arms		5800
3000	4-Arms		6800
3500	4-Arms		7800
4000	4-Arms		8800

Overview wall supports

Fabric type	Fabric length [mm]	Pro-jection [mm]	Width [mm]														Required number of wall supports			
			2500	3000	3500	4000	4500	5000	5500	6000	6500	7000	8000	9000	10000	11000	12000			
All	All	Type	300 / 180 / 90	300 / 180 / 90	300 / 180 / 90	300 / 180 / 90	300 / 180 / 90	300 / 180 / 90	300 / 180 / 90	300 / 180 / 90	300 / 180 / 90	300 / 180 / 90	300 / 180 / 90	300 / 180 / 90	300 / 180 / 90	300 / 180 / 90	300 / 180 / 90			
		1500	0 / 0 / 2	0 / 0 / 2	0 / 0 / 2	0 / 0 / 3	0 / 0 / 3	0 / 0 / 4	0 / 0 / 4	0 / 0 / 4	0 / 0 / 4	0 / 0 / 6	0 / 0 / 6	0 / 0 / 6	0 / 0 / 8	0 / 0 / 8	0 / 0 / 8			
		2000	0 / 0 / 2	0 / 0 / 2	0 / 0 / 2	0 / 0 / 3	0 / 0 / 3	0 / 0 / 4	0 / 0 / 4	0 / 0 / 4	0 / 0 / 4	0 / 0 / 6	0 / 0 / 6	0 / 0 / 6	0 / 0 / 8	0 / 0 / 8	0 / 0 / 8			
		2500	-	0 / 0 / 2	0 / 0 / 2	0 / 0 / 3	0 / 0 / 3	0 / 0 / 4	0 / 0 / 4	0 / 0 / 4	0 / 0 / 4	0 / 0 / 6	0 / 0 / 6	0 / 0 / 6	0 / 0 / 8	0 / 0 / 8	0 / 0 / 8			
		3000	-	-	0 / 0 / 2	0 / 2 / 1	0 / 2 / 1	0 / 2 / 2	0 / 2 / 2	0 / 2 / 2	0 / 2 / 2	0 / 2 / 2	0 / 3 / 3	0 / 4 / 2	0 / 4 / 2	0 / 4 / 4	0 / 4 / 4			
		3500	-	-	-	0 / 2 / 1	0 / 2 / 1	0 / 2 / 2	0 / 2 / 2	0 / 2 / 2	0 / 2 / 2	0 / 2 / 2	0 / 3 / 3	0 / 4 / 2	0 / 4 / 2	0 / 4 / 4	0 / 4 / 4			
4000	-	-	-	-	2 / 0 / 1	2 / 0 / 2	2 / 0 / 2	2 / 0 / 2	2 / 0 / 2	2 / 0 / 2	3 / 0 / 3	3 / 0 / 3	4 / 0 / 2	4 / 0 / 4	4 / 0 / 4					