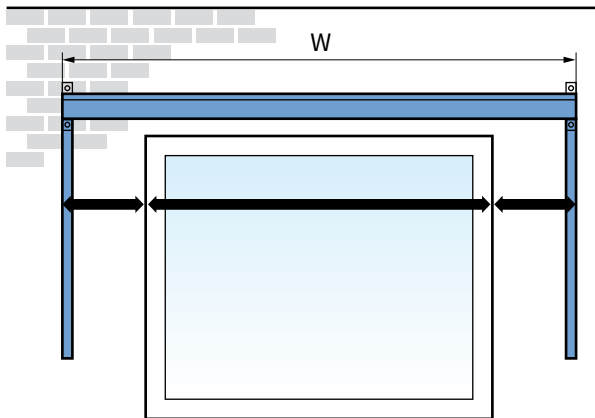


A good preparation!

Keep the following attention points into account when ordering an awning.

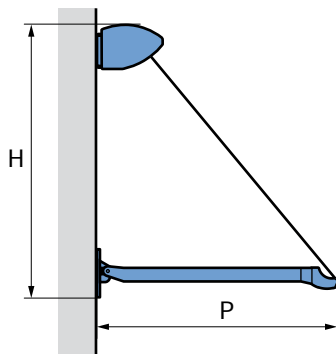
1. Determine the desired width in centimeters.



It is advisable to measure the awning as wide as possible, at least 50 to 100 centimeters if possible. It is, of course, not a problem if there is no more than 30 centimeter overlap.

Width (W) = mm

2. Choose the desired projection.



The bigger the projection, the bigger the effect of the drop-arm awning. Only the following standard projection sizes are possible: 50, 60, 70, 80, 90 or 100 centimeter.

Keep the height (H) on the wall that is needed for the drop-arm into account. For the V124-Calpe this is: projection (P) + 20 centimeter = height (H).

Projection (P) = mm

3. Choose the control side.



Determine the control side. The control side is always seen from the outside. Attention! If the wire of the electrical control (outside) goes in on the left side, the wire is, seen from the inside, on the right side and vice versa.

- Left
 Right

General warning

Measuring the Verano® product yourself is at your own risk. You are responsible for measuring the right sizes. Use this instruction only as a tool and only for measuring this specific Verano® product.

When you are not sure about the measuring and you don't want the risk of ordering a wrong product, use the measuring service of your Verano® dealer.

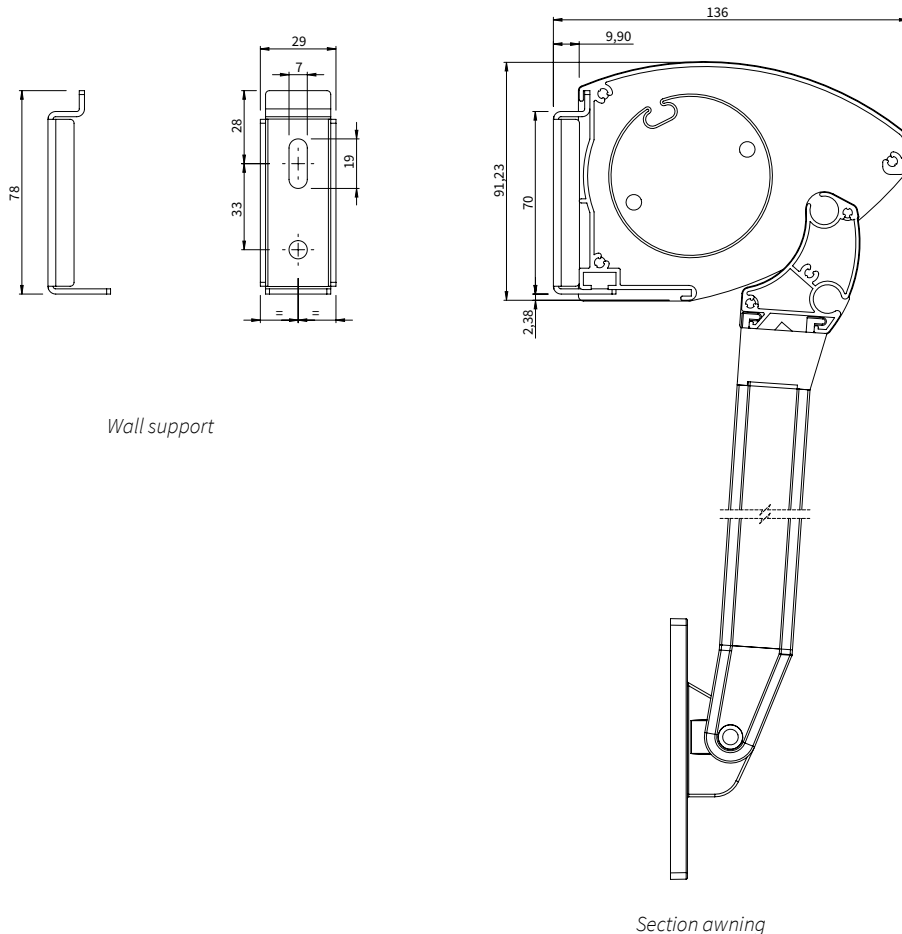
Watch for any obstacles!

Take rain pipes and other obstacles that can obstruct installation on the wall into account.

Specifications V124 Calpe

Installation

Sizes in mm



Wall support

Section awning

Width (W)

Minimum 600 mm	Maximum 3000 mm
----------------	-----------------