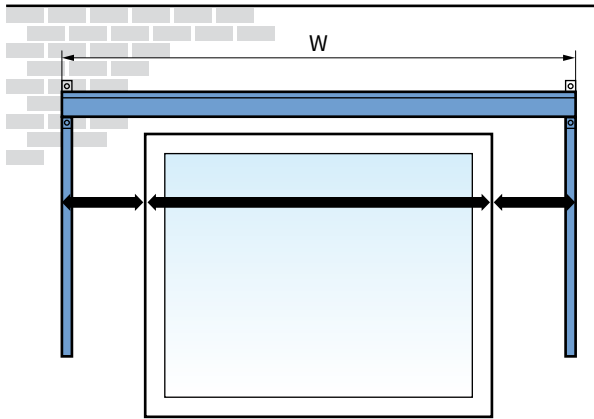


A good preparation!

Keep the following attention points into account when ordering an drop-arm awning.

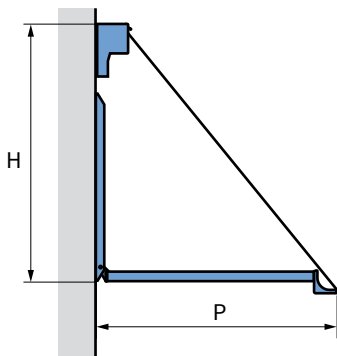
1. Determine the desired width in centimeters.



It is advisable to measure the drop-arm awning as wide as possible. We advise this with regard to the turning of the sun and to prevent possible light incidence at the sides of the window. If possible, provide at least 50 to 100 centimeters overlap. It will not be a problem if you, for example, can only provide a 30 centimeter overlap.

Width (W) =	mm
-------------	----

2. Determine the desired projection.

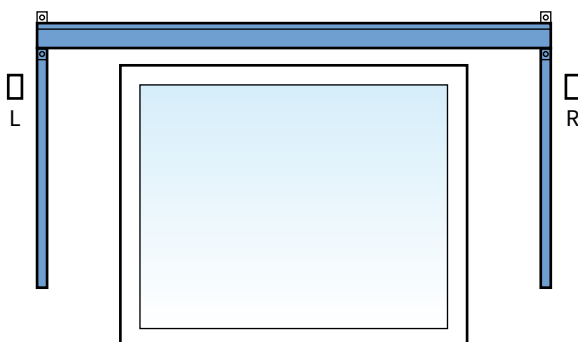


The bigger the projection, the bigger the effect of the drop-arm awning. Only standard sizes are possible: 100, 115, 135 or 150 cm.

Also keep the height (H) that is needed on the wall for the drop-arm into account. For the V150/V155 counts: projection (P) + 6 cm = height (H)

Projection (P) =	mm
------------------	----

3. Determine the control side.



Determine the control side always seen from the outside. Pay extra attention if electrical control is desired. If the output side of the cable is on the left (front view), the inside control needs to be on the right.

- left
- right

