

A good preparation!

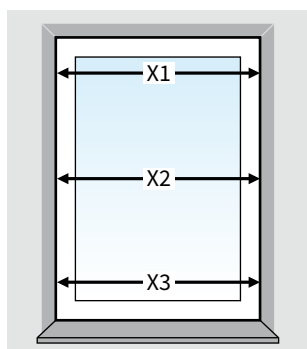
Keep the following attention points into account when ordering an V180 Markisolette.

1. How will the V180 Markisolette be installed?

U kunt kiezen voor:

- A** Outside mount / Installation on the wall – V180 Markisolette and guides are installed on the wall (see page 2).
- B** Inside Mount / Installation between two walls – V180 Markisolette and guides are installed to the window frame between two walls (see page 3).

2. How do I measure the correct width?

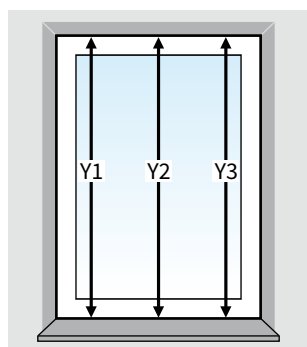


Measure the width (X) between the walls in mm.

To be sure, do this at least at three positions; the wall can be skewed.

- A** Order width (W) = the largest measured width (X) + 80 mm
- B** Order width (W) = the smallest measured width (X) - 10 mm

3. How do I measure the correct height?



The V180 Markisolette is never custom-made in height.

You need to cut to size the guides yourself while mounting.

When measuring keep in mind the minimum and maximum heights of the product.

Minimum height : **1000 mm**

Maximum height : **2250 mm**

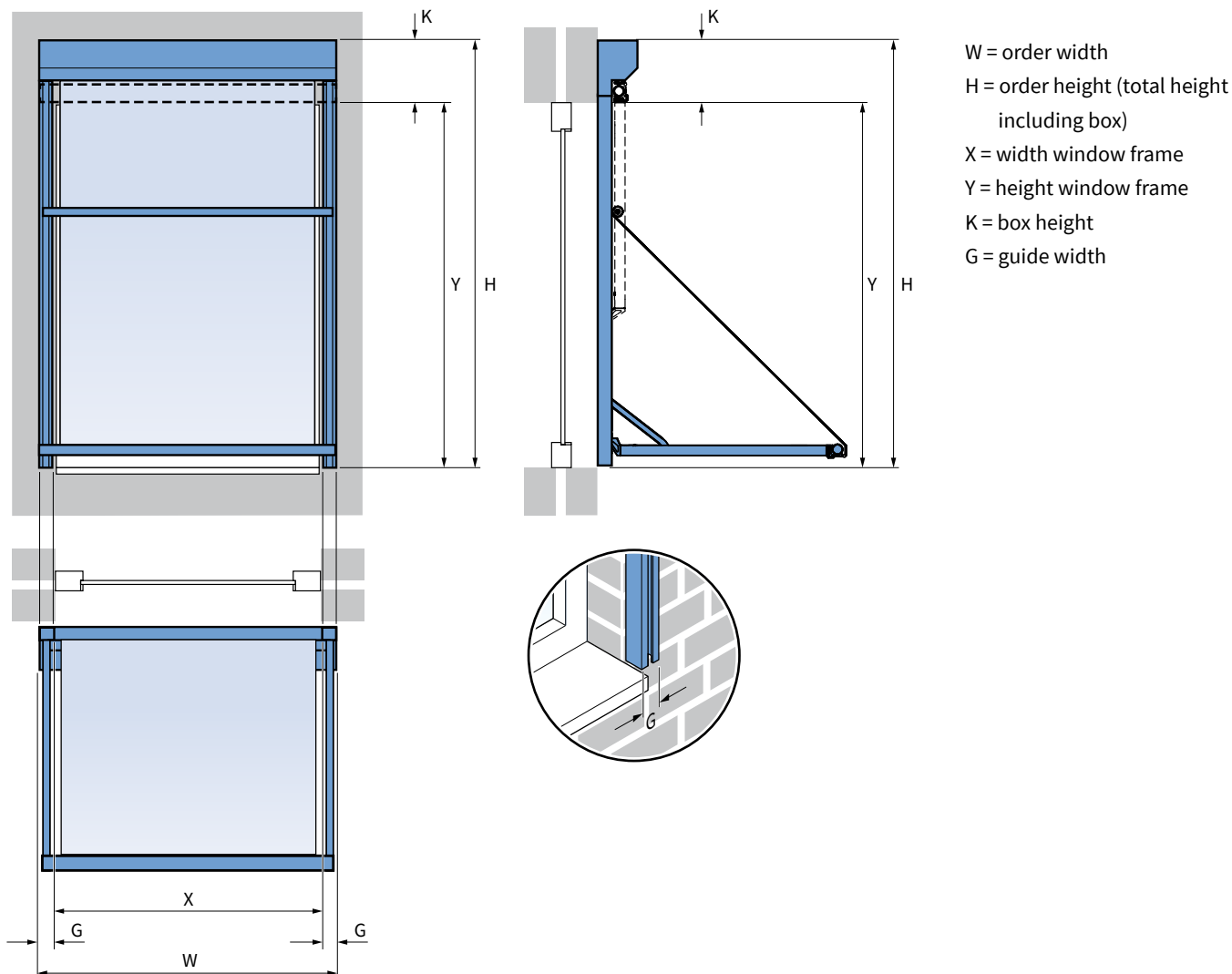
4. Choose the control side: left or right?

Stand in front of the window frame on the outside. Determine if you want the control the V180 Markisolette on the left or right side.

Important!

Also attentively read the attention points on page 5 to see if they apply to you.

A Outside mount / Installation on the wall



With 'Outside mount' both the box as the guides are installed on the wall.

Width

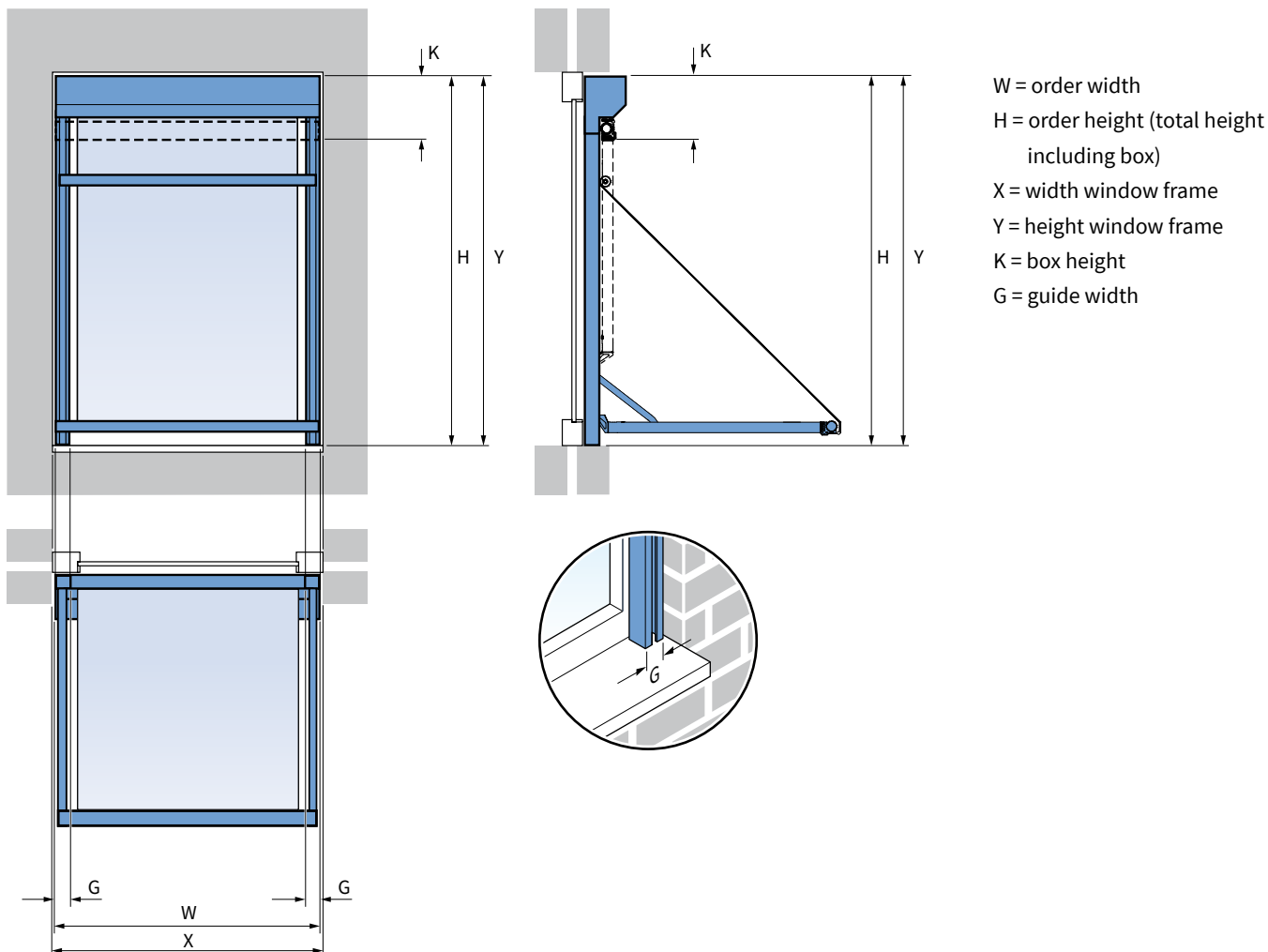
Take the largest measured width size (X) of the window frame plus two times the width size of the guide (G).

Order width (W) = the largest measured width size (X) + 80 mm

⚠ Attention!

Take patio doors and/or windows into account. Please read the attention points on page 5.

B Inside mount / Installation between two walls



W = order width
 H = order height (total height including box)
 X = width window frame
 Y = height window frame
 K = box height
 G = guide width

With 'Inside mount' both the box as the guides are installed between two walls on the window frame.

Width

Take the smallest measured width size (X) of the window frame en subtract 10 mm for installation slack.

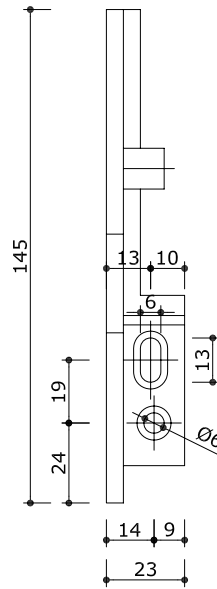
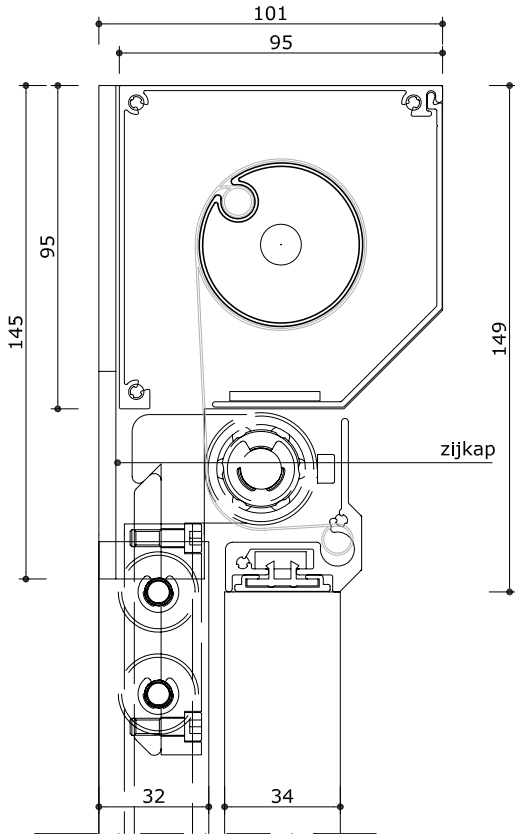
Order width (W) = the smallest measured width size (X) - 10 mm

⚠ Attention!

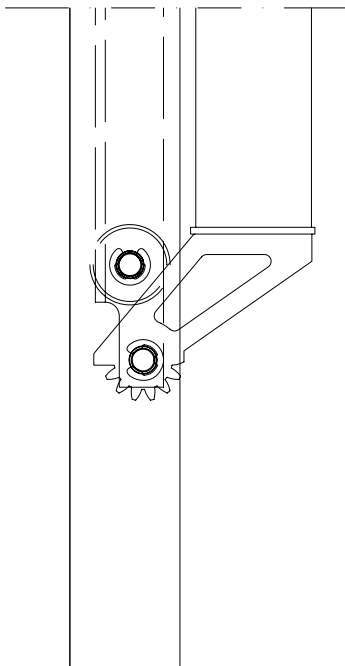
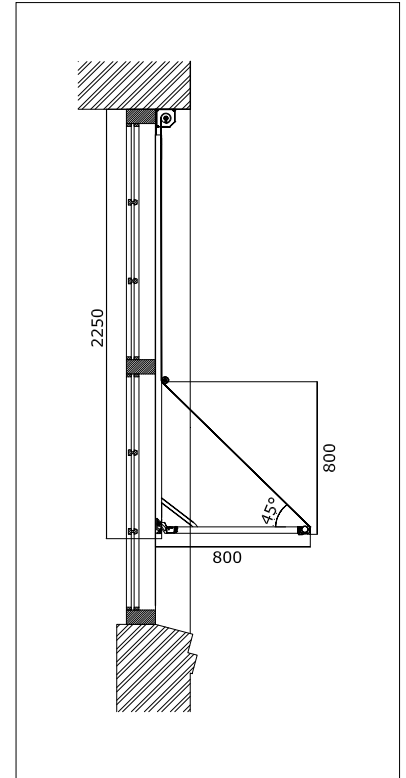
Installation between two walls is not possible when you have patio windows and/or doors.

Specifications V180 Markisolette

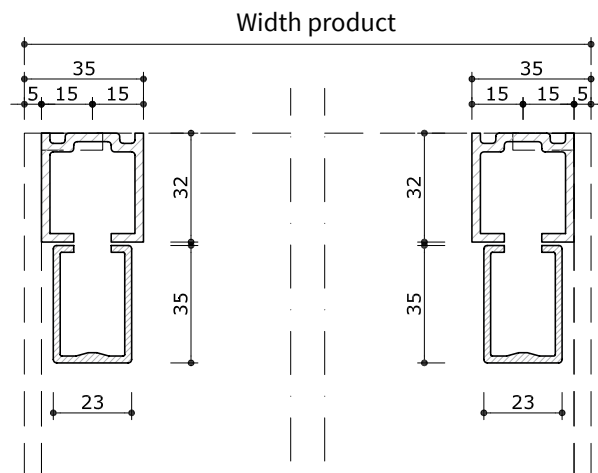
Measurements in mm



Wall support



Sectional view



Sectional view guides and drop-arms

Extra attention points

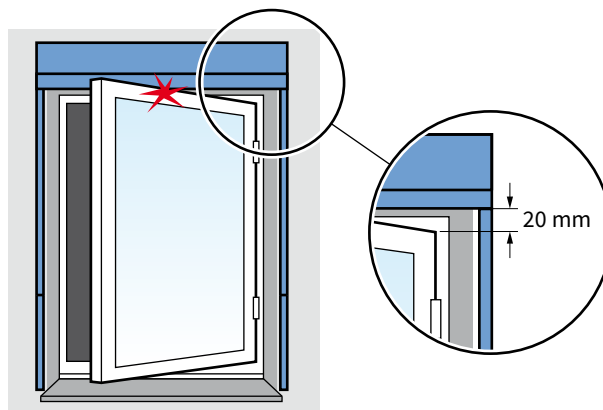
Determine if one of the situations below applies to you.

1. Outward opening windows and/or doors

Choose 'outside mount' when you have outward opening windows and/or doors.

The box and the bottom bar are mounted above the window frame, on the wall. The window or door can be opened without touching the bottom bar of the Markisolette.

Take this into account with a slack of at least 20 mm.



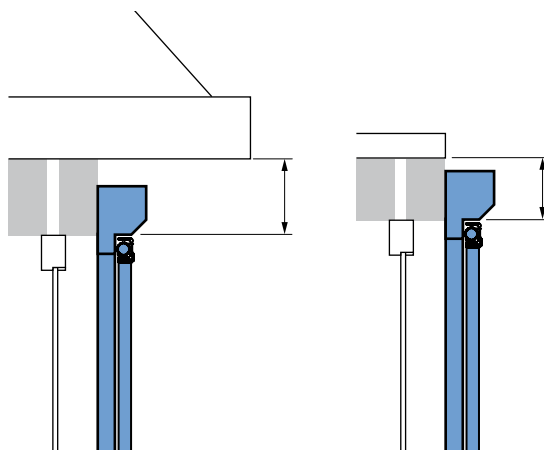
2. Dormer or lower gutter

When mounting a V180 Markisolette on a dormer or house-extension take into account that the space between the top of the window frame and the gutter or eaves is large enough for mounting the box.

If there is too little space for the V180 Markisolette box, you can choose 'inside mount' and place the screen in the window frame.

Keep outward opening windows and doors in mind.

In some situations, a V180 Markisolette can not be placed.



General warning

Measuring the Verano® product yourself is at your own risk. You are responsible for measuring the right sizes. Use this instruction only as a tool and only for measuring this specific Verano® product. When you are not sure about the measuring and you don't want the risk of ordering a wrong product, use the measuring service of your Verano® dealer.