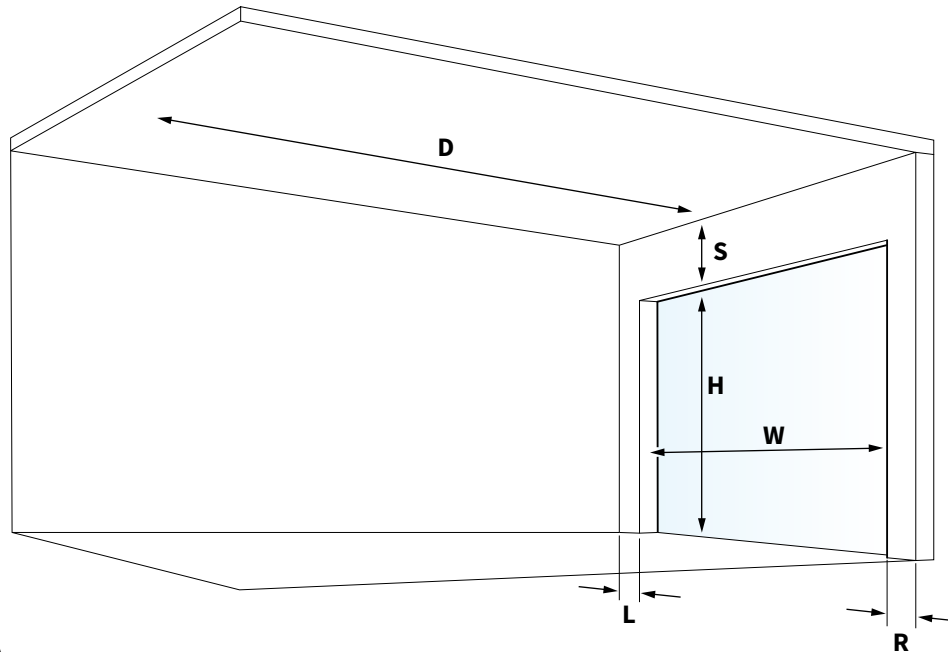


A good preparation!

Before you order a garage door, you need to measure some sizes.
It is important that you enter all sizes in mm.



1. Width (W)

You measure the width between the walls of the door opening (brick tot brick).
Minimum size = 1875 mm Maximum size = 3000 mm

W =	mm
-----	----

2. Height (H)

You measure the height between the floor and the lower side of the door opening (floor tot brick).
Minimum size = 1875 mm Maximum size = 2250 mm

H =	mm
-----	----

3. Sideroom left (L) and right (R)

To install the garage door, you need a minimum space on both sides of the opening.
Minimum size = 75 mm

L =	mm
-----	----

R =	mm
-----	----

4. Headroom (S)

The headroom is the space between the topside of the opening and the lower side of the ceiling over the whole garage.
Minimum size = 125 mm

S =	mm
-----	----

5. Backroom (D)

The backroom is the depth of your garage, measured from the garage door opening back to the furthest point that your garage hardware or automatic door opener will extend.

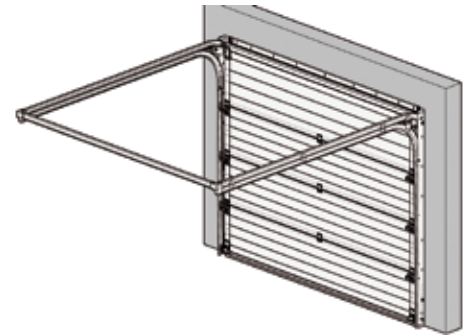
D =	mm
-----	----

manual control: $B = H + 640 \text{ mm}$

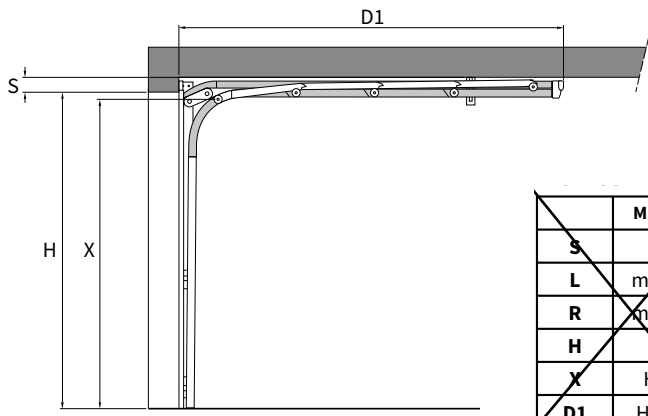
electrical control: $H < 2375 \text{ mm}$ $B = 3500 \text{ mm}$

$H > 2375 \text{ mm}$ $B = 4600 \text{ mm}$

Specifications



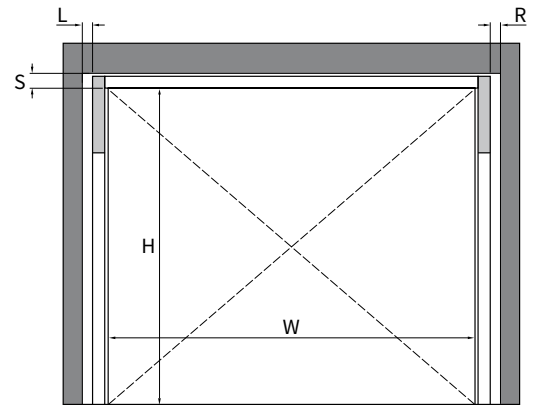
Manual control



Side view

Manual	
S	80
L	min. 75
R	min. 75
H	H
X	H-150*
D1	H+640

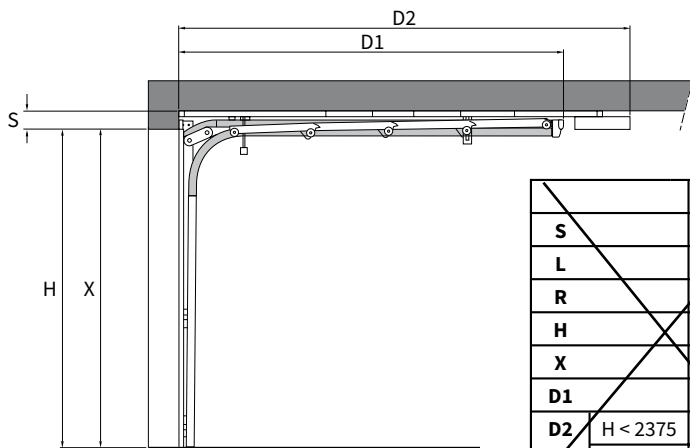
Size in mm



Front view

*** Attention!** In a situation with manual operation, the bottom section stays 100 to 150 [mm] in the door opening height (H). Clear drive through height (X) = H - 150 [mm]

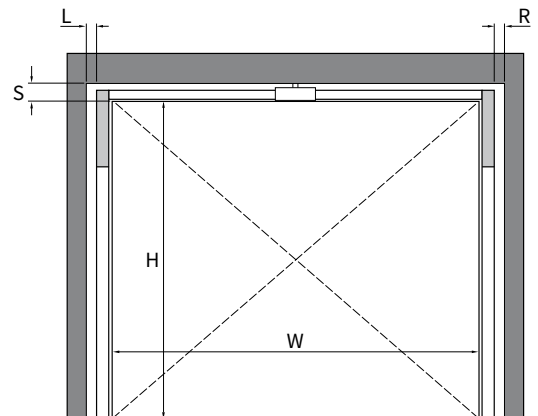
Electrical control



Side view

Electrical	
S	125
L	min. 75
R	min. 75
H	H
X	H-0
D1	H+640
D2	H < 2375 3500
	H > 2375 4600

Sizes in mm



Front view

Focus!

- A sectional door is installed to the opening from the inside. The opening should form one part with the sides and top. In case the top disrupts from the sides, the difference needs to be filled before installation.
- The backroom applies to the full width of the garage door. A lamp may hinder!

Tips for the adjustment of the clear opening:

If you don't have enough sideroom (L and R), you can install a clear side adjustment. This means that you can expand your wall by using, for example, a wooden bar.

If you don't have enough headroom (S), you can expand the headroom with a fixed upper panel.

General warning

When you measure the Verano® product yourself, that is for your own risk. You are responsible for measuring the right sizes. Use this instruction only as an aid and only for measuring this specific Verano® product.

Not sure about your measuring and don't want any risk of ordering a wrong product?
Use the measuring service as provided by your Verano® partner.