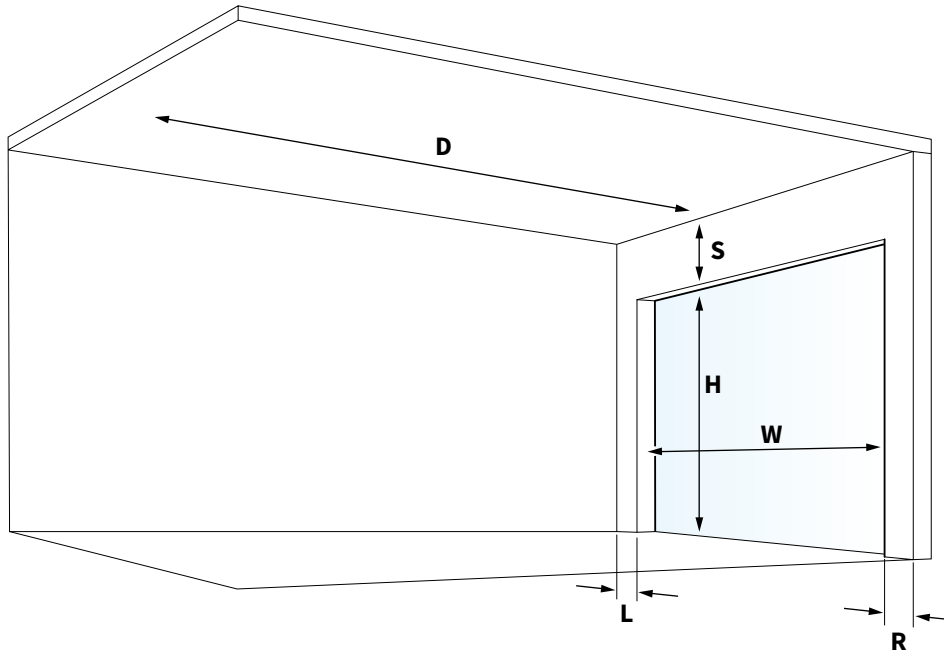


## A good preparation!

Before you order a garage door, you need to measure several sizes.  
It is important that you enter all sizes in mm.



### 1. Width (W)

You measure the width between the walls of the door opening (brick to brick).  
Minimal size = 1875 mm Maximal size = 5000 mm

W =  mm

### 2. Height (H)

You measure the height between the floor and the lower side of the door opening (floor to brick).  
Minimal size = 1875 mm Maximal size = 3000 mm

H =  mm

### 3. Side room left (L) and right (R)

To install the garage door, you need a minimal space on both sides of the opening.  
Minimal size = 75 mm

L =  mm

R =  mm

### 4. Headroom (S)

The headroom is the space between the top side of the opening and the lower side of the ceiling over the whole garage.  
Minimal size = 190 mm

S =  mm

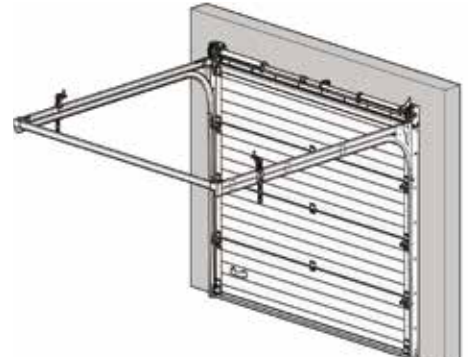
### 5. Backroom (D)

The backroom is the depth of your garage, measured from the garage door opening back to the furthest point that your garage hardware or automatic door opener will extend.

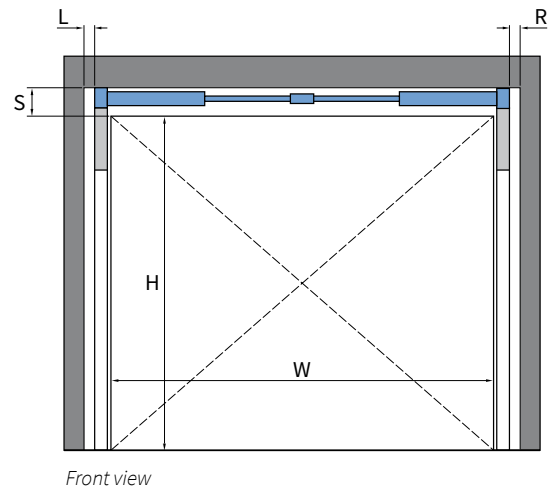
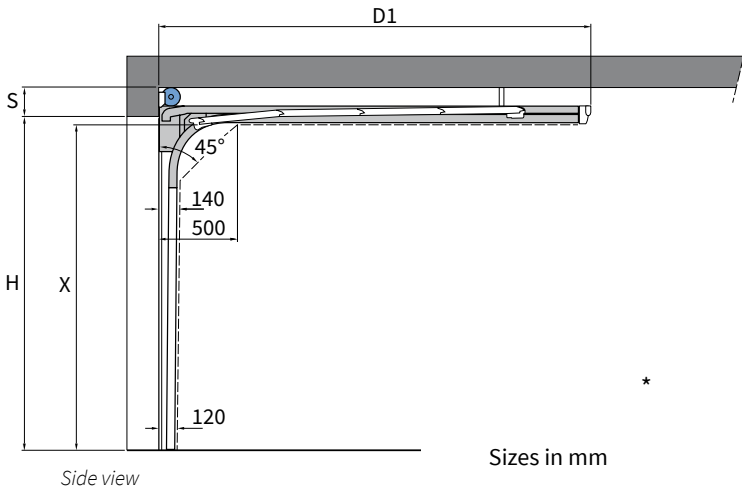
D =  mm

manual control            D = H + 640 mm  
electrical control        H < 2375 mm     D = 3500 mm  
                                      H > 2375 mm     D = 4600 mm

## Specifications

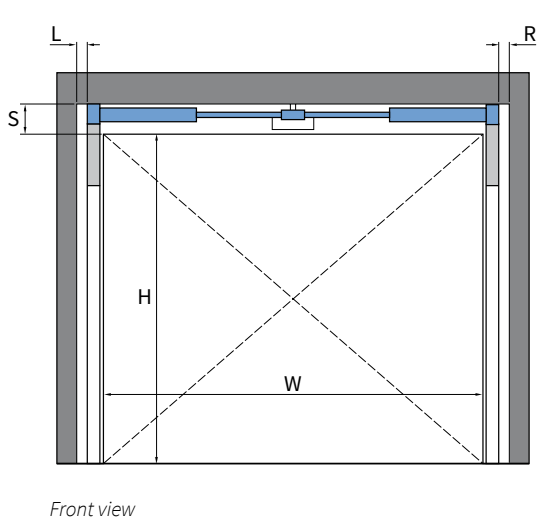
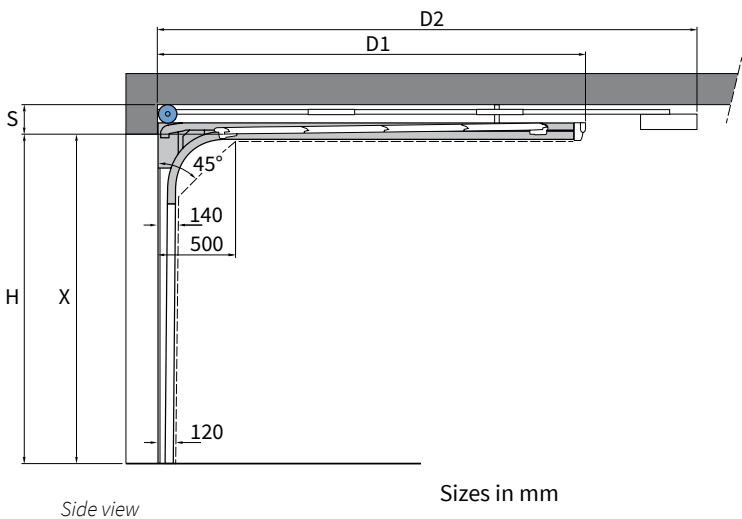


## Manual control



**\* Attention!** In a situation with manual operation, the bottom section stays 100 to 150 [mm] in the door opening height (H). Clear drive through height (X) = H - 150 [mm]

## Electrical control



## Extra attention points!

- A sectional door is placed from the inside, against the opening. The opening needs to be one plane with both sides and the top side. If the top side moves relative to the both sides, the difference needs to be filled before installation.
- The backroom applies to the whole width of the garage door. Possible, a lamp can be in the way.

## Tips for adjusting the clear opening

If you don't have enough side room (L + R), you can place an adjustment. This means that you can expand the wall width, for example, a wooden beam.

If you don't have enough head room (S), you can expand it with a fixed top profile.

## General warning

Measuring the Verano® product yourself is at your own risk. You are responsible for measuring the right sizes. Use this instruction only as a tool and only for measuring this specific Verano® product.

Not sure about the measuring and don't want the risk of ordering a wrong product? Use the measuring service of your Verano® dealer.