

INSTALLATION MANUAL

# SCREENS

V585 - V595

## Index

	page
Content package	2
Required tools	2
Specifications screen	3
Specifications guiding rail	4
1. Mounting (L)HTF-guiding rail	5
1.1 Drawing mounting holes	5
1.2 Drilling mounting holes in guiding rail	6
1.3 Mounting guiding rail	7
2. Mounting (L)HTF + CLICK guiding rail	8
2.1 Mounting click cubes	8
2.2 Mounting guiding rail	8
2.3 Mounting (L)HTF + CLICK guiding rail without click cubes	8
3. Hole control	9
4. Installing screenbox on to guiding rails	9
5. Finishing mounting outside	10
6. Instruction installing manually controlled (inside)	11
7. Instruction installing electrically controlled (inside)	13

## Important BEFORE mounting

### General warning

Installation of this product is at your own risk. Use this mounting instruction only as an assistance and only with the mounting of this specific product. If you can not install this product yourself, you can always opt for professional installation. Your dealer's installation team is always ready to assist you.

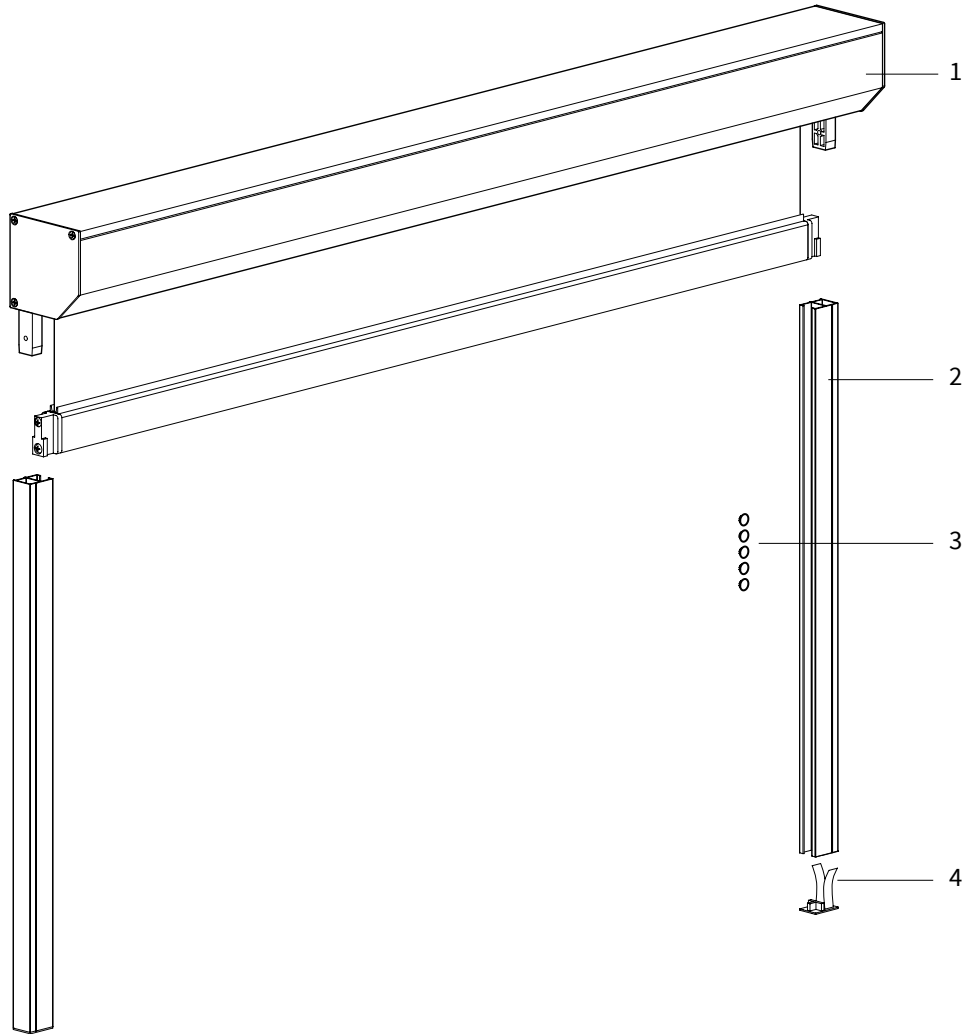
### Please be aware of damages

Do not use a knife or any other sharp object while opening the packaging. The product could get damaged. Place the product on a soft surface. Please take care while drilling. Drilling waste may cause damages.

Check if the frame or facade is completely flat.

## Content

1. Screen including screenfabric, operating type, bottom rail and operating box
  - a. Manually: cord or strap
  - b. Electrically: switch + plug
  - c. Remote control: remote control + plug
2. Guiding rails (with spacers or clicking cubes)
3. Covering caps
4. Sealing caps



## Required tools

- Drilling machine
- Metal drill 6/10/20 mm
- Masonry drill 6/10/20 mm
- Head screwdriver
- Tapeline
- Plumb rule
- Pencil

In case of electrically controlled:

- Nippers
- Flathead screwdriver

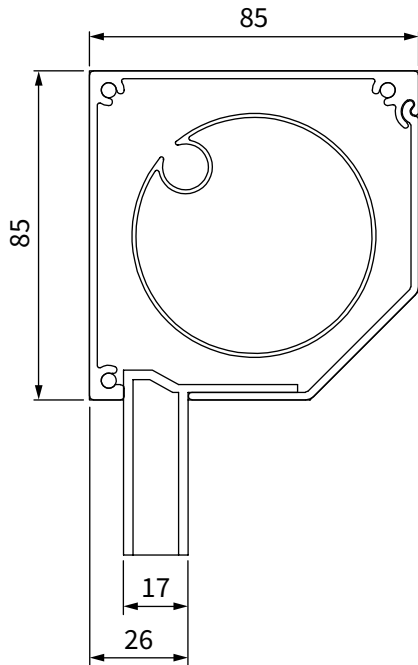
## Specifications screenbox

### Screen V585

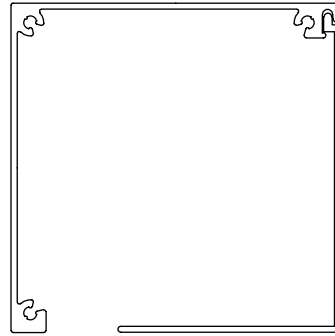
beveled

straight

Sizes in mm



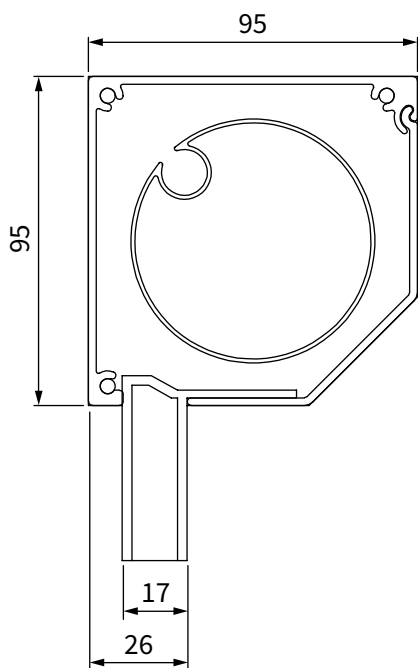
Section box



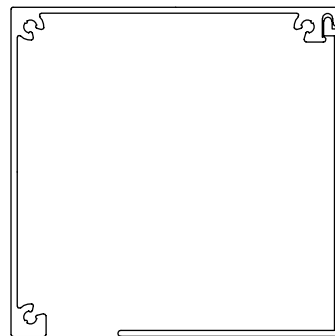
### Screen V595

beveled

straight



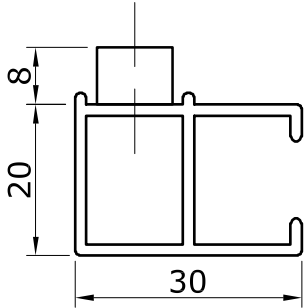
Section box



**Specifications guiding rail**

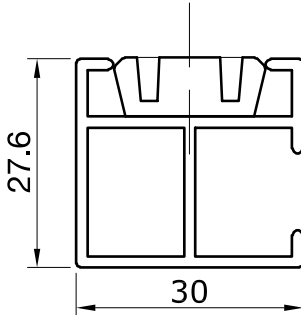
Sizes in mm

**HTF**



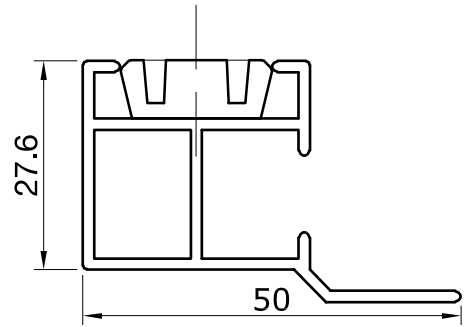
Section HTF guiding rail left

**HTF + CLICK**



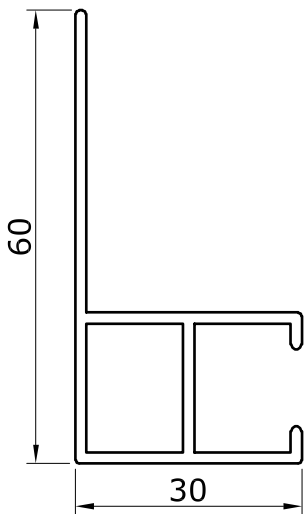
Section HTF + CLICK guiding rail left

**HTF + CLICK + LIP**



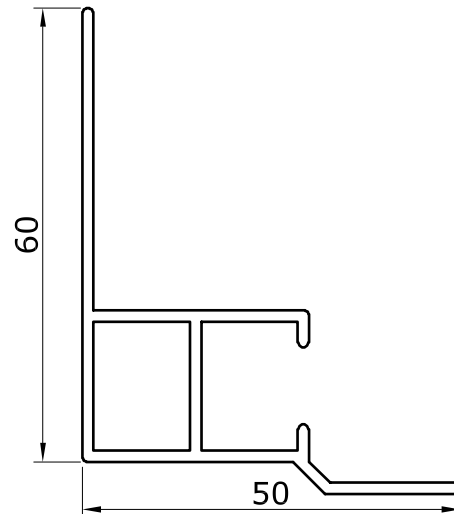
Section HTF + CLICK + lip guiding rail left

**LHTF**



Section LHTF guiding rail left

**LHTF + LIP**



Section LHTF + lip guiding rail left

**LIP**

The extra lip on to the guiding rail gives the fabric extra protection against the clacking of the fabric.

## 1 Mounting (L)HTF-guiding rails

### 1.1 Drawing mounting holes

The guiding rails are not drilled yet. The number of holes and the placement of the holes depends on the surface and size of the screen. The surface can be wooden, metal or concrete.

1. Place the left guiding rail vertically, at the right height, against the frame or facade. See figure 1.1.
2. Draw the mounting holes on the guiding rail. Your choice of mounting, 'outside' (on to the wall) or 'inside' (in the window frame), determines how the guiding rail is mounted. When mounted 'outside', you should ensure the mounting holes are in the middle of a stone, not in the joint! The first hole at the point of attachment to the screen box, should be drilled at least 15 cm from the edge. This space must be kept free for the top bracket. The bottom hole must be at least 2cm from the bottom.
3. Then place the right guiding rail to the correct height and width against the frame or the facade and mark the mounting holes in the same way.

**Be aware!** The left and right guiding rail must be exactly level. Use a plank and plumb rule to check this.

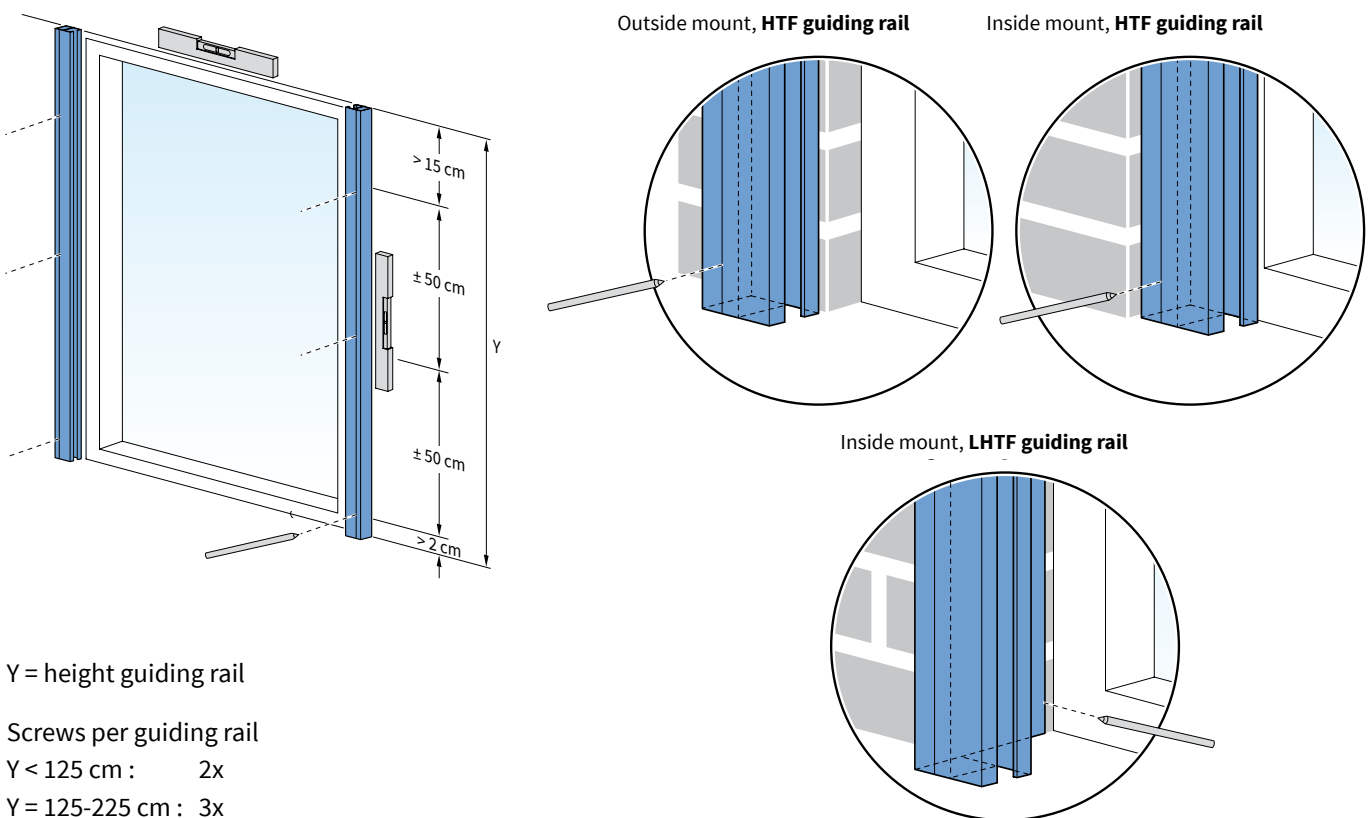


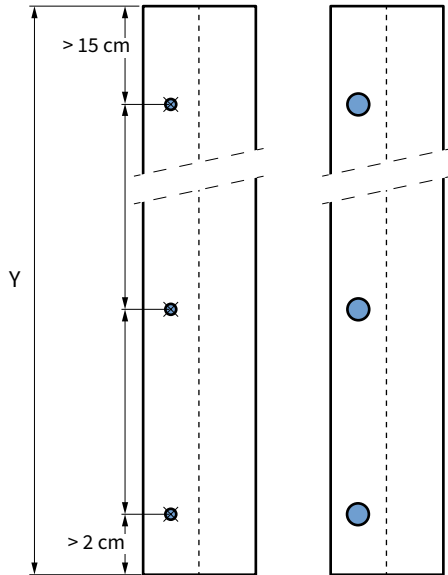
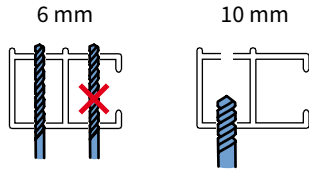
Fig. 1.1 Drawing mounting holes

**1.2 Drilling mounting holes in guiding rail**

HFT guiding rail: First drill a hole of 6mm through both layers of the guiding rail. Then drill the top hole with a 10 mm drill so that the screw fits through it. The plastic covering caps will be placed in these holes later on.

LHFT guiding rail: Drill all holes with a 6mm drill.

**HFT guiding rail**



**LHFT guiding rail**

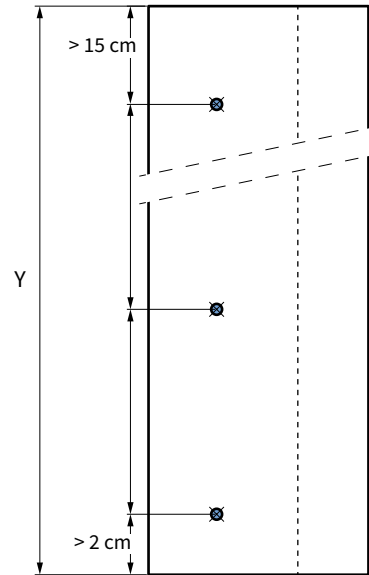
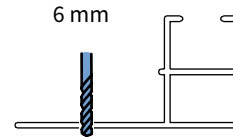
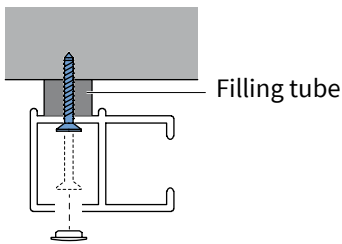


Fig. 1.2 Drilling mounting holes

### 1.3 Mounting guiding rail

1. Place the guiding rails against the wall or window frame. Make sure the guiding rails are perpendicular and are level with the wall or window frame. Based on the holes in the guiding rails you can now mark the drilling holes.
2. Drill the final holes. Keep in mind the size of the screws and plugs you will be using.
3. When mounting 'outside' (onto the wall): Screw the guiding rails.  
When mounting 'inside' (in the window frame): First make the hole for the control and place the screen box on to the guiding rails before mounting the guiding rails. (see instruction 3 'hole control and 4 'installing screenbox on to guiding rails')

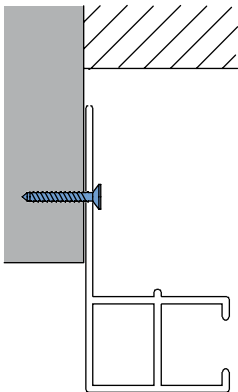
#### HFT guiding rail



#### **Be aware!**

When mounting the HTF guiding rail you should place a filling tube at each mounting hole between the guiding rail and the wall or window frame.

#### LHFT guiding rail



#### **Be aware with beveled windowsill!**

Have you got a beveled windowsill? First saw the LHFT guiding rail in the same angle as the angle of your windowsill. This is only necessary for 'inside' mounting (mounting in the window frame or between two walls).

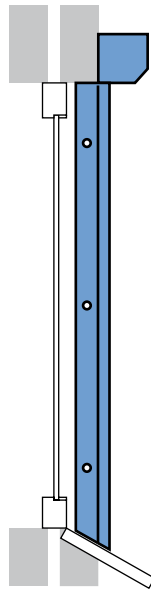
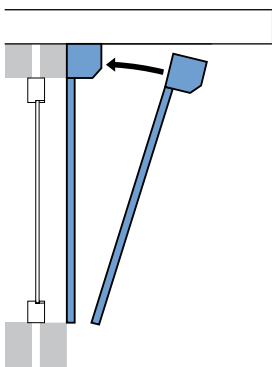


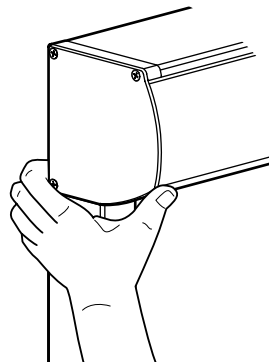
Fig. 1.3 Mounting guiding rail

Fig. 1.4 Beveled windowsill



#### **Be aware!**

When a screen must be mounted in the window frame or under low eaves or gutter, it is necessary to put the top box on to the guiding rails before the guiding rails are screwed to the wall.



Be extra careful with the mounting. The brackets are very fragile! To prevent the brackets from breaking, you should always lift the screen with two persons at the guiding rail attachment point with the box.

Fig. 1.5 Mounting under low eaves



## 2 Mounting (L)HTF + CLICK guiding rail

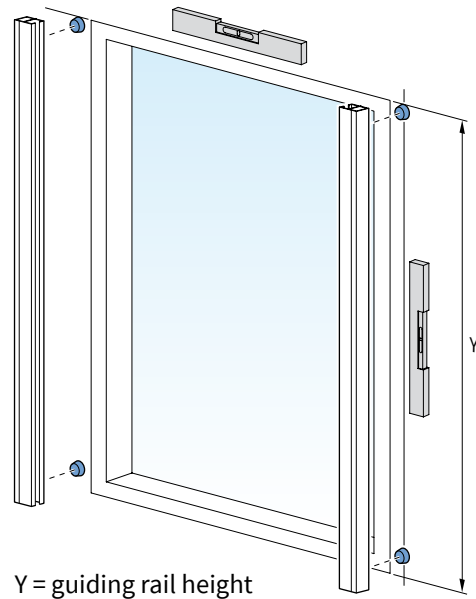
### 2.1 Mounting click cubes

1. Place the guiding rail vertically, at the correct width and height, against the wall or the window frame and determine the exact position of the click cubes.
2. Mount the top click cube all the way at the top of the guiding rail. The top box will eventually rest on this.

When mounted on to a wall, you should ensure the mounting holes are in the middle of a stone, not in the joint!

**Be aware!**

Make sure the click cubes are level, both horizontally as vertically. Use a plank and plumb rule to check this.



Y = guiding rail height

Fig. 2.1 Mounting click cubes

### 2.2 Mounting guiding rail

1. Click the guiding rails on to the cubes.
2. Check if the guiding rails are perpendicular and are level with the wall or window frame.

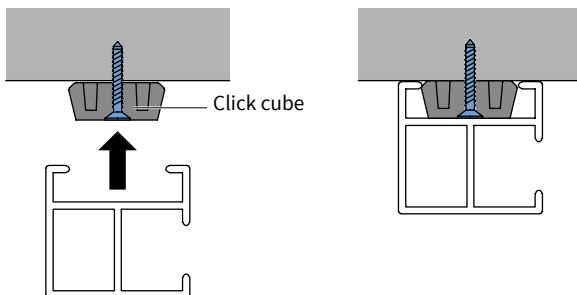


Fig. 2.2 Mounting HTF + CLICK with click cubes

### 2.3 Mounting (L)HTF + CLICK guiding rail without click cubes

It is also possible to mount the HTF + CLICK guiding rail without the click cubes. The guiding rails are mounted directly to the wall or window frame, in the same way as the HTF guiding rail. For mounting follow the instructions on page 5 up to 7 'Mounting (L)HTF guiding rail'.

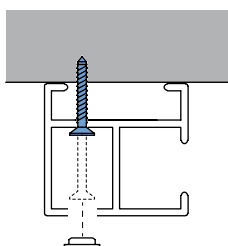


Fig. 2.3 Mounting HTF + CLICK guiding rail without click cubes

### 3 Hole for control

1. Accurately draw a hole on the wall where the (electrical) cord/strap should go through for operation. This hole is exactly on the same height as where the (electrical) cord/strap comes out of the screenbox.
2. Drill the hole in the wall.

Hole for strap operated: 20mm (drill 10mm from outside, then drill the hole from the inside to the outside with a 20mm drill).

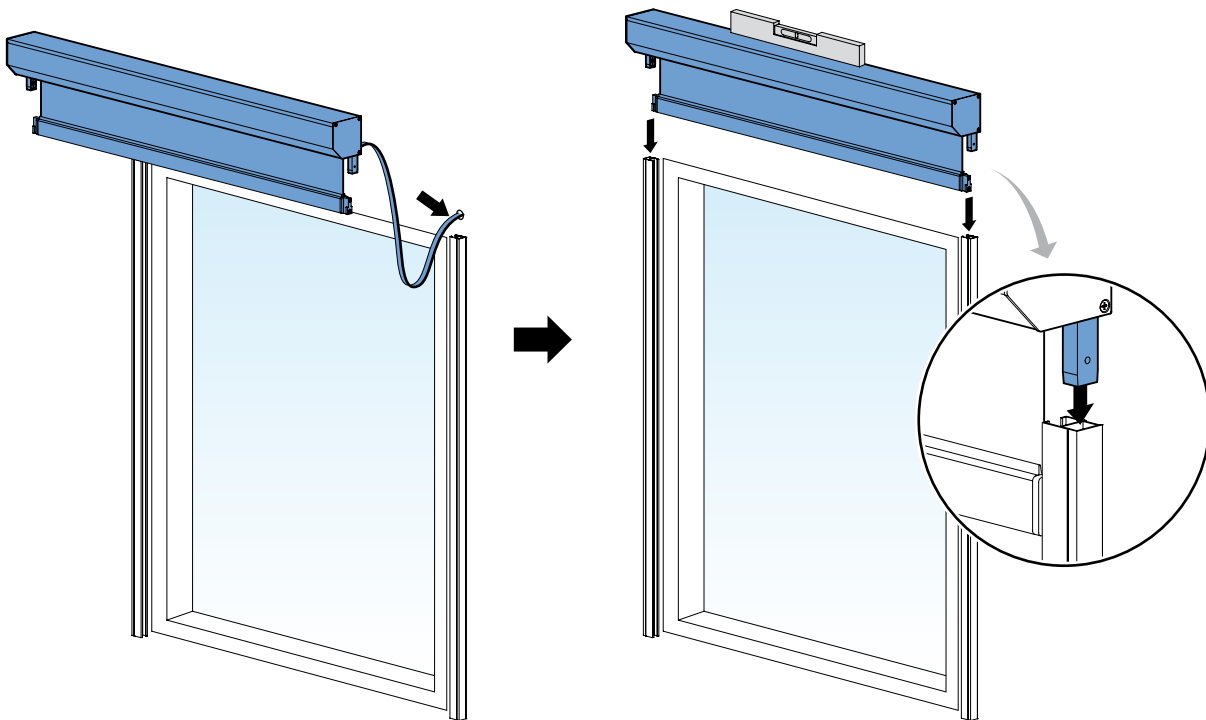
Hole for cord operated: 12mm (place the included spring in the hole).

Hole for electrical cord: 10mm

**Please note!** Check carefully if there are no pipes etc. in the wall when drilling the hole. Always use a board when drilling on the inside of the house. This will prevent the stucco from damaging.

### 4 Installing screenbox on to guiding rails

1. Lift the box with 2 persons.
2. Guide the (electrical) cord/strap inside through the drilled hole. Make sure the strap is not twisted.
3. Slide the boxbrackets, which protrude under the box, into the guiding rails. Please be extra careful during this process. The boxbrackets are very vulnerable!
4. Check if the box is completely level.
5. The box rests onto the guiding rails. The box sits firmly enough and does not need to be secured.



Electrical (cord)

Strap

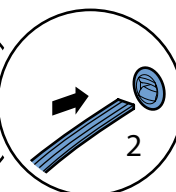
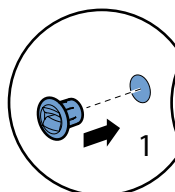
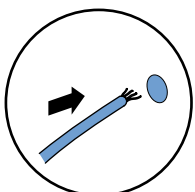
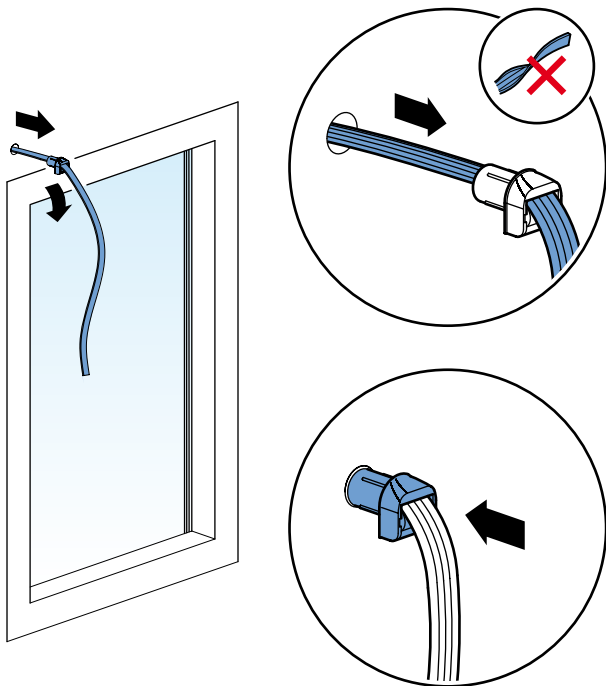


Fig. 4.1 Installing top box

## **5 Finishing mounting outside**

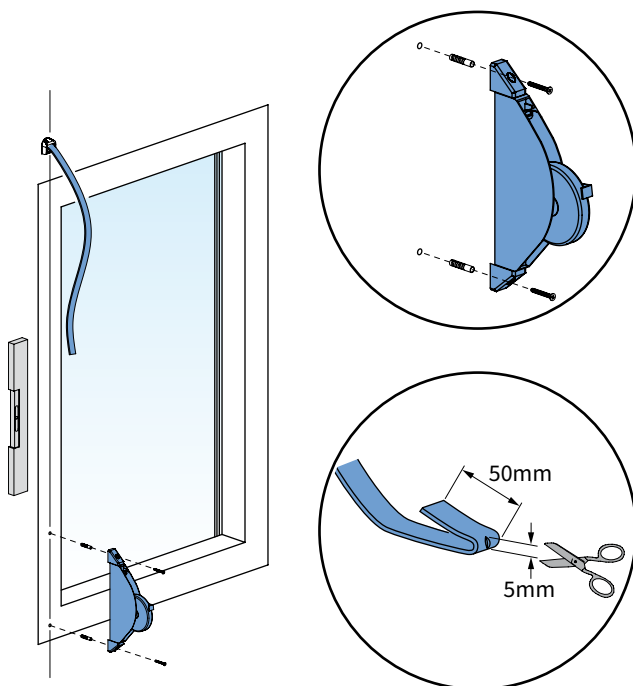
1. Close (if necessary) the mounting-holes with the covering caps.
2. Place (if necessary) the sealing caps at the bottom of the guiding rails (see figure on page 1).  
The sealing caps may NOT be placed if the screen rests on a windowsill or on the ground/pavement. If the sealing caps do get placed, an opening of a few millimeters will appear when closing the screen.
3. Seal the bottom and sides from the top box;  
with electrical control to prevent water from dripping in via the cord.  
with manual control to prevent the strap from getting wet and dirty.  
The use of transparent sealing in this is most beautiful.

## 6 Instruction installing manually controlled (inside)

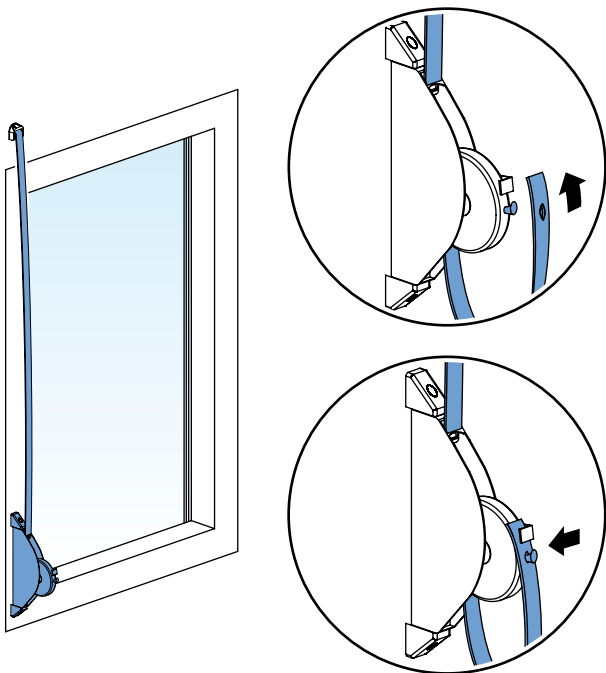


1. Place the winding strap inside the house through the guiding wheel. Make sure the winding strap is not twisted.

2. Place the guiding wheel inside the hole.

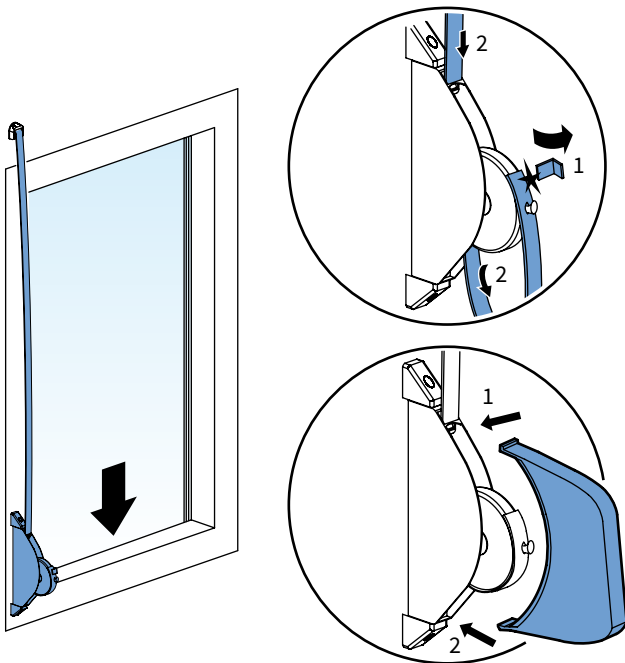


3. Determine the position of the strap coiler inside the house and draw two holes on to the windowsill or wall. Make sure the strap and the strap coiler are perfectly vertically.
4. Drill the holes.
5. Place the plugs and mount the strap coiler with two countersunk screws.
6. Fold the end of the strap and cut a little hole in it.



7. Guide the end of the strap through the strap coiler and place the hole over the lip, making sure it is tightly fastened.

**Be aware!** Do NOT shorten the strap! You will need all the length of the strap when closing the screen.



8. Brake the plastic hook. This ensures there is tension on the strap coiler.

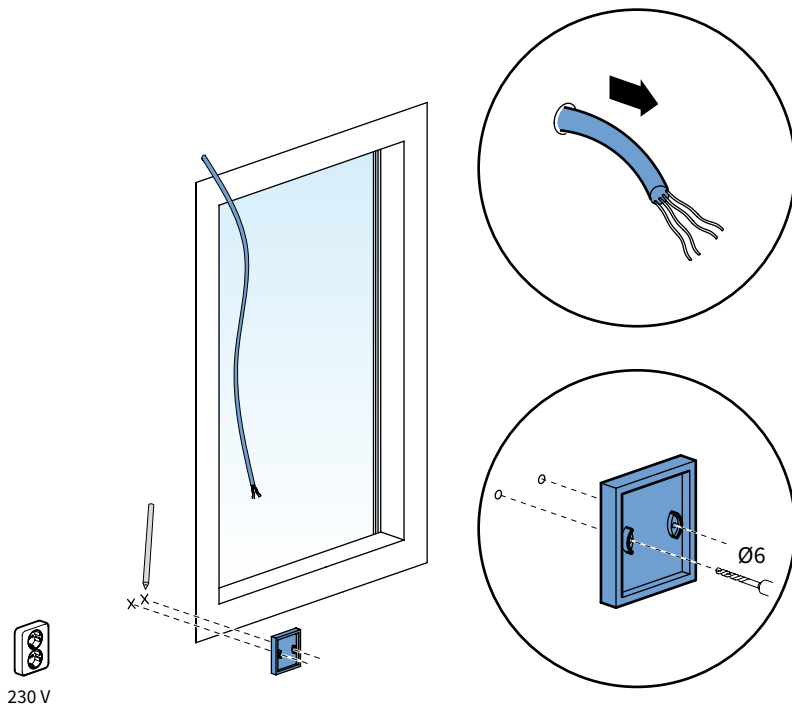
9. Place the covering cap over the strap coiler.

10. Remove the red tape on the outside of the screen and carefully drop the screen.

The manually controlled screen is now ready for use and can be operated from inside the house.

## 7 Instruction installing electrically controlled (inside)

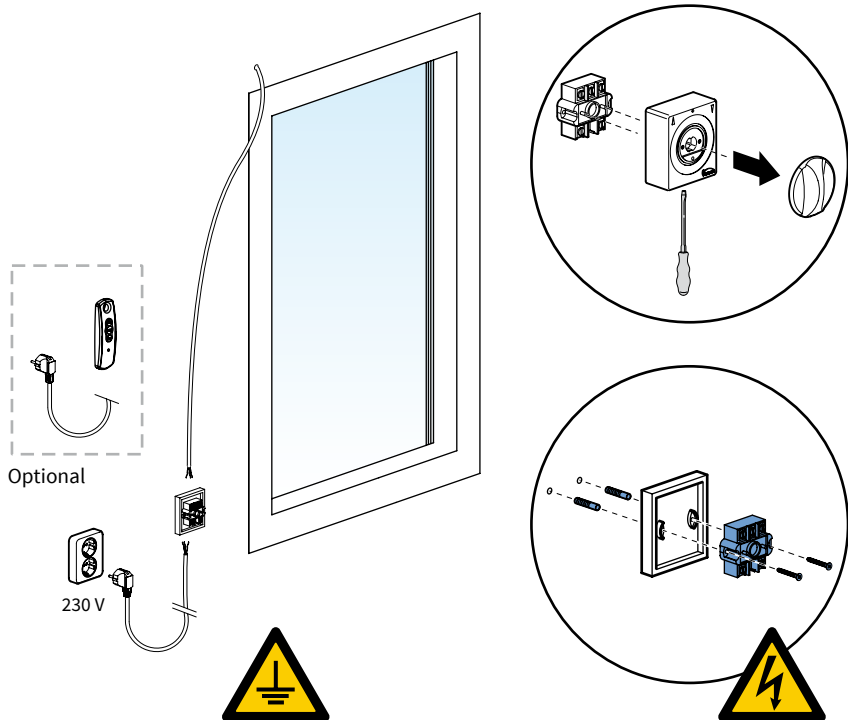
1. Determine inside the house the position of the switch and draw two holes on the wall.



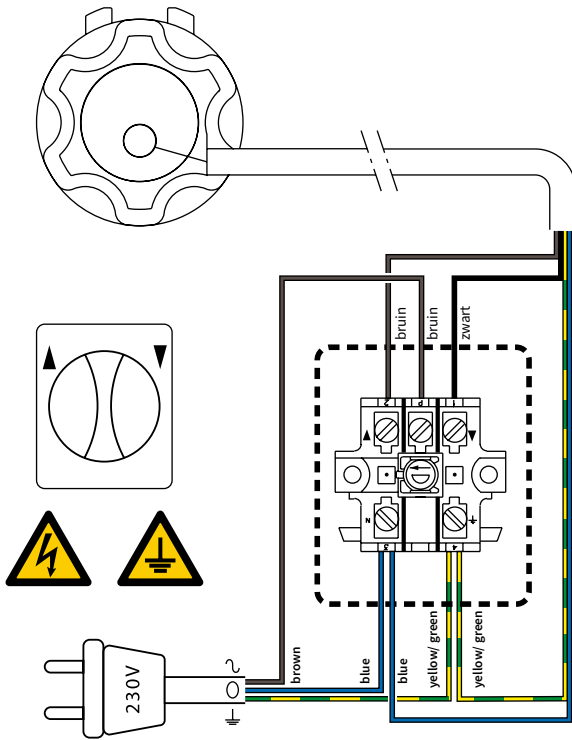
2. Drill the holes with a 6mm drill.

3. Open the switch with a flathead screwdriver.

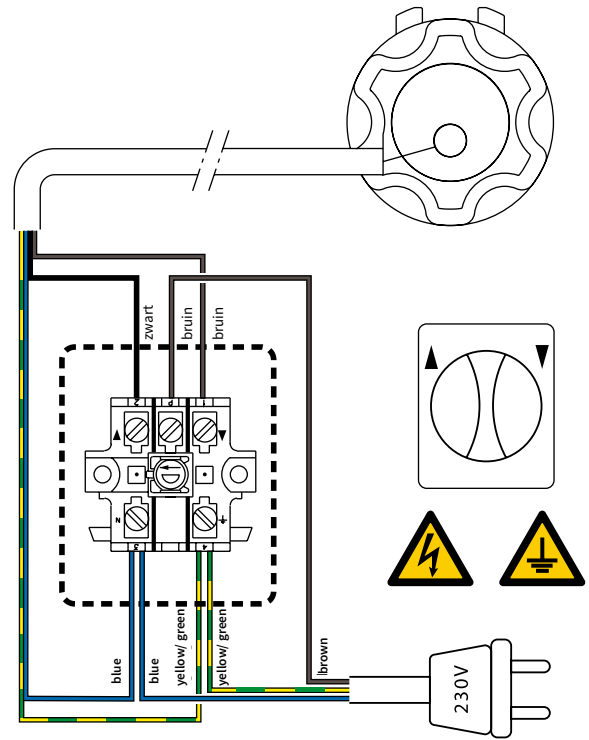
4. Place the plugs and mount the switch with two countersunk screws. Make sure the power of this group is off and disconnected.



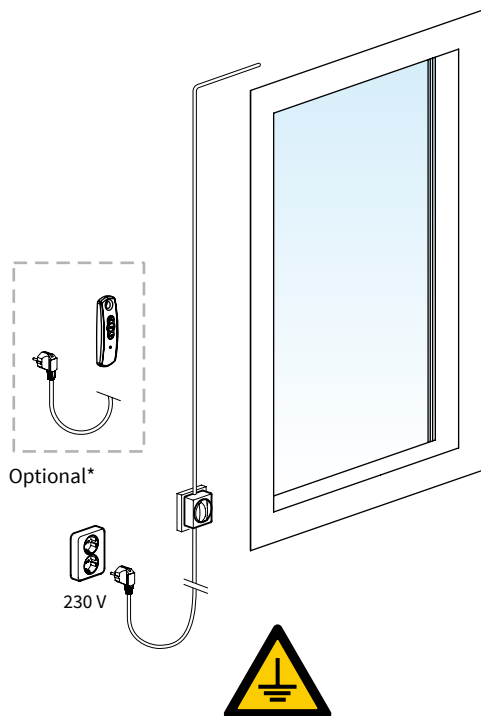
5. Connect the 4-wire cord from the motor and the 3-wire cord + plug to the following schedule. Consult an electrician if necessary



Motor, left (seen from the outside)

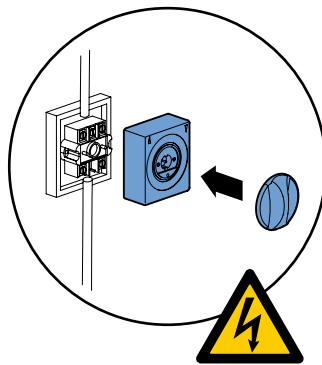


Motor, right (seen from the outside)



Optional\*

230 V



6. Mount the switch.

In a situation with wireless remote control, the 3-wire cord can be connected directly to the plug box.

7. Insert the plug into the socket and turn on the power.

\* See included Somfy instruction for setting the remote control.