

A good preparation!

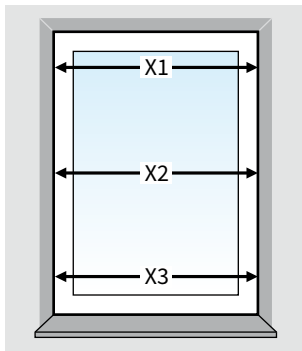
Keep the following attention points into account when ordering a roller shutter.

1. How is the roller shutter placed?

You can choose:

- A Installation on the wall:** box and guides (HTF) are both mounted on the wall (see page 2).
- B Installation on the window frame:** box and guides (HTF) are between two walls and mounted on the window frame (see page 3).
- C Combination of A and B:** the box is mounted on the wall, the guides (LHTF) between two walls (see page 4).

2. How do I measure the right order width?

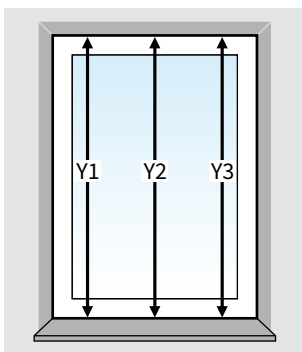


Measure the width size (X) between the walls in mm.

Do this at least for three places, to be sure. The wall can be skewed.

- A Order width (W) = the largest measured width size (X) + 110 mm**
- B Order width (W) = the smallest measured width size (X) - 5 mm**
- C Order width (W) = the smallest measured width size (X) - 2 mm**

3. How do I measure the right order height?



Measure the height size (Y) from top to the bottom of the windowsill

Do this at least for three places, to be sure.

- A Order height (H) = the largest measured height size (Y) + the boxsize**
- B Order height (H) = the smallest measured height size (Y)**
- C Order height (H) = the smallest measured height size (Y) + the boxsize**

4. Choose the control; left or right?

Stand for the window frame on the outside and determine if you want the control the roller shutter on the left or right side.

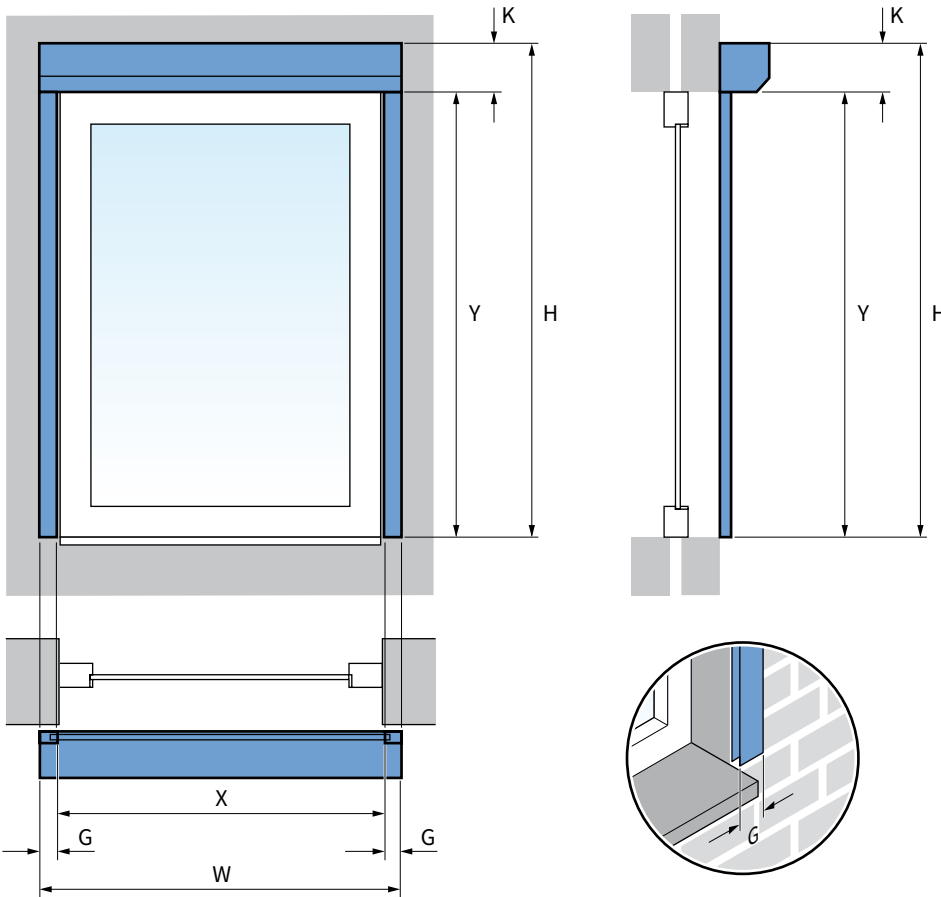
Important!

On page 2, 3 and 4 you will find more information about the different ways of installing a roller shutter.

See page 5 for more information about how to determine the order height in non-standard situations.

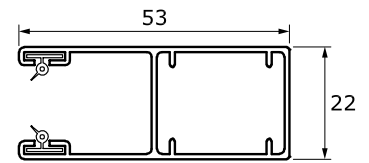
Read also the extra points on page 6 and 7 to check if they apply to your situation.

A Installation on the wall

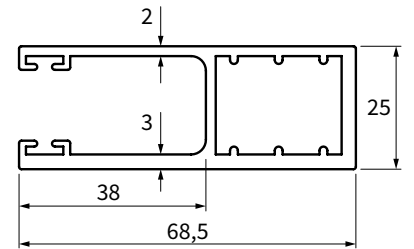


- W = order width
- H = order height
(total height including box)
- X = width window frame
- Y = height window frame
- K = height box
- G = height guide

Sizes in mm



Section view HTF guide (G)



Section view HTF 68 Heavy guide (G)

When mounting like this both box and guides are mounted on the wall.

HTF guides need to be used.

Width

Take the largest measured width size (X) of the window frame plus two times the width size of the guide (G) plus 4 mm backlash.

Order width (W) = the largest measured width size (X) + (2xG) + 4 mm

$$W = X + 106 + 4 = X + 110 \text{ mm}$$

Height

Take the largest measured height size (Y) of the window frame plus the height of the box (K).

To determine the height of the box (K) please see the table on page 6.

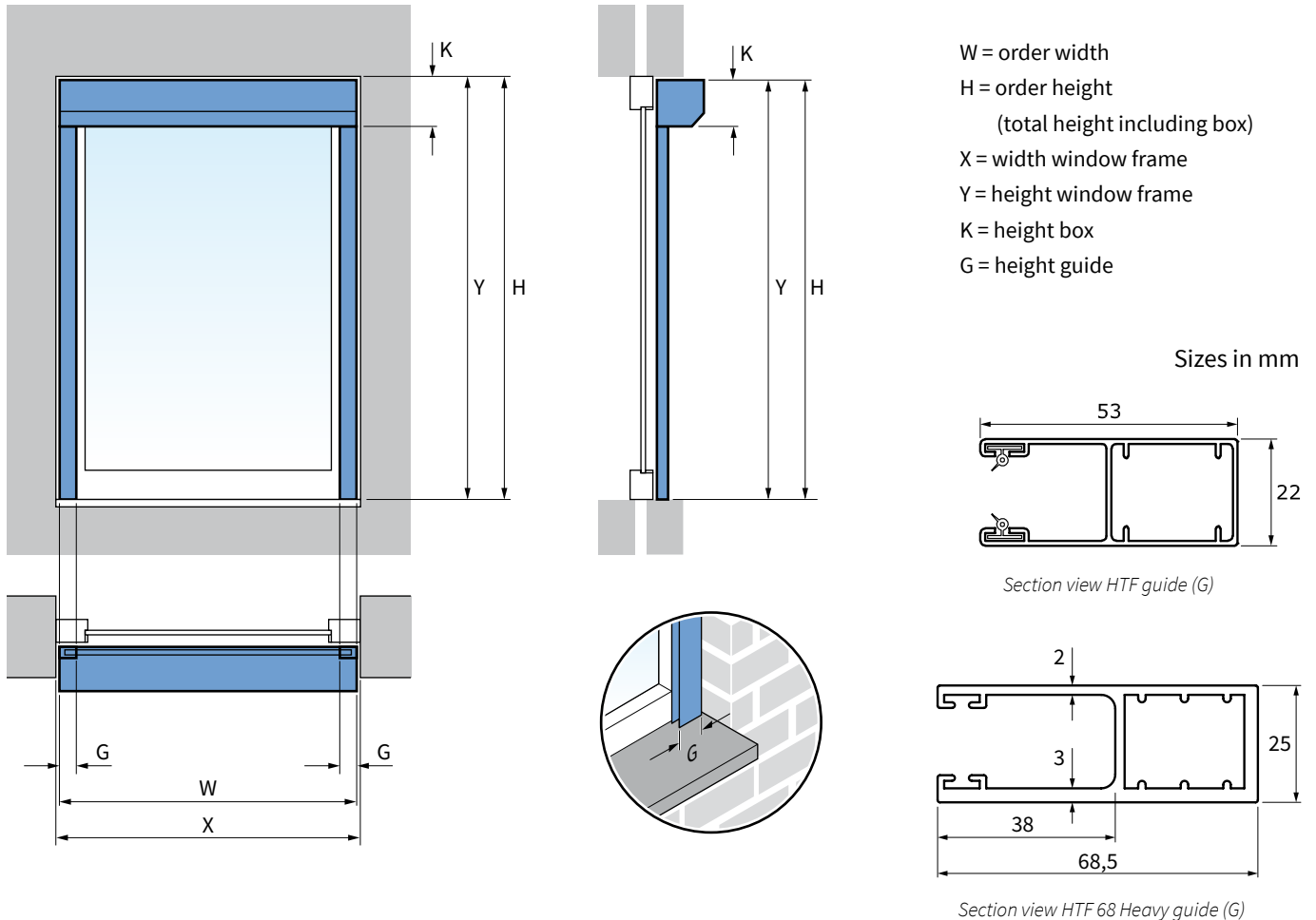
Order height (H) = the largest measured height size (Y) + the boxsize (K)



Be aware!

Takes into account outward opening windows and/or doors. See point 1 on page 5.

B Installation on the window frame



When mounting like this both box and guides are mounted on the window frame.
HTF guides need to be used.

Width

Take the smallest measured width size (X) of the window frame minus 5 mm backlash (for easy mounting).

Order width (W) = the smallest measured width size (X) - 5 mm

Height

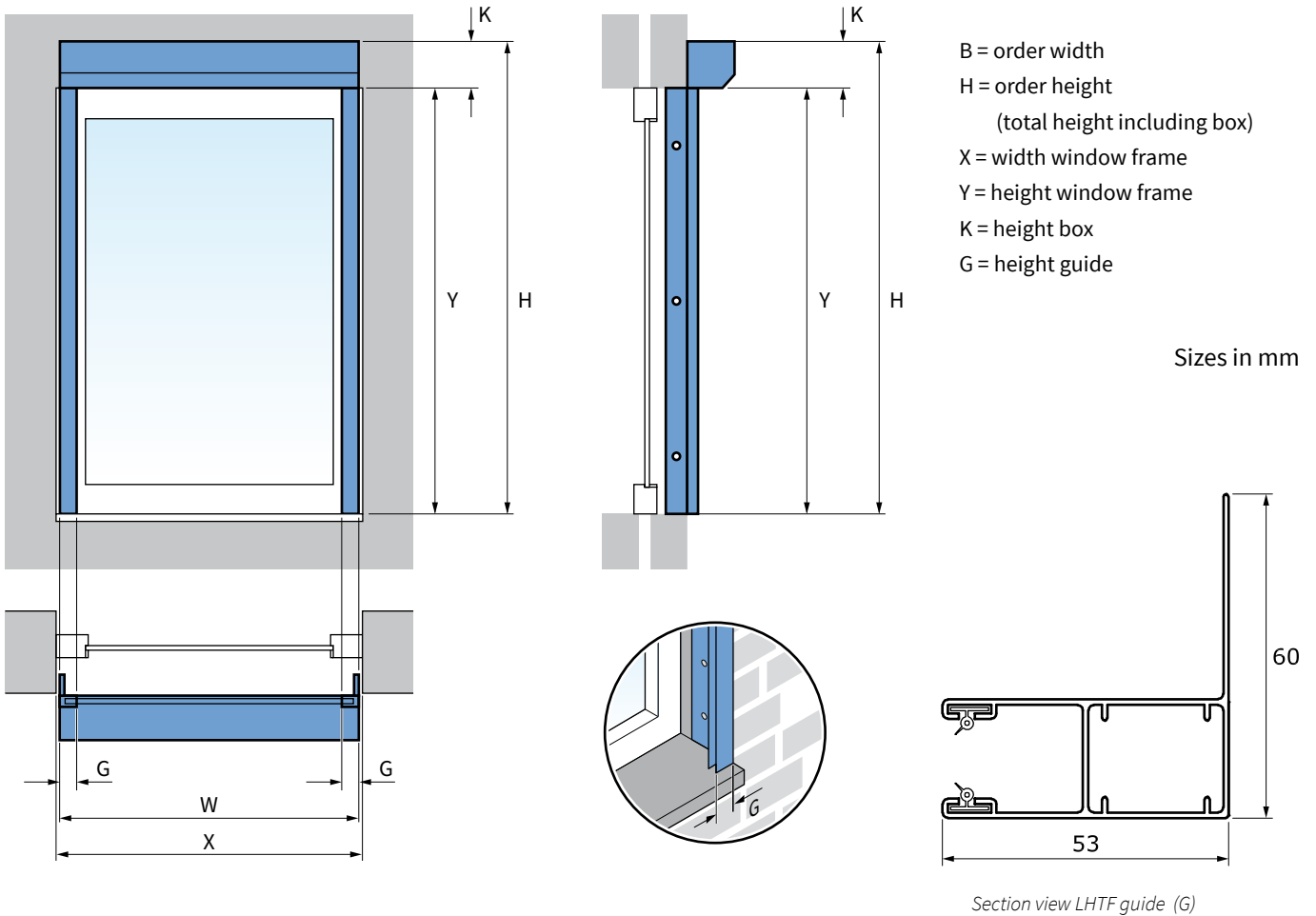
Order height (H) = the smallest measured height size (Y)



Be aware!

This way of mounting is not possible with outward opening windows and/or doors.

C Combination of A and B



When mounting like this the box is mounted on the wall above the window frame.
 The guides are mounted between the walls.
 The **LHTF guides** need to be used.

Width

Take the smallest measured width size (X) of the window frame minus 2 mm backlash.

Order width (W) = the smallest measured width size (X) - 2 mm

Height

Take the smallest measured height size (Y) of the window frame plus the height of the box (K).

To determine the height of the boxsize (K), see the table on page 6.

Order height (H) = the smallest measured height size (Y) + the boxsize (K)

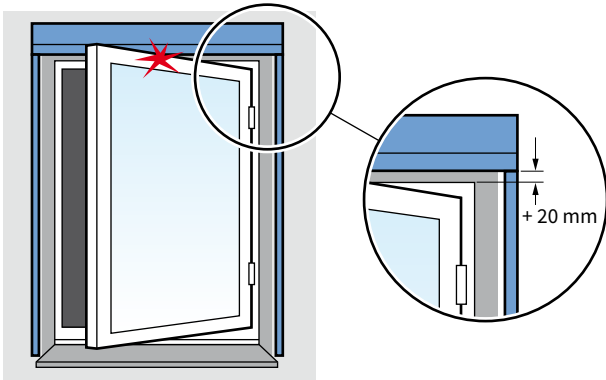


Be aware!

Takes into account outward opening windows and/or doors. See point 1 on page 5.

Non standard situations

In the situations below, you need to take extra guide height into account.



1. Outward opening doors and/or windows

For outward opening windows, it is important to calculate **20 mm extra guide height**. This to prevent that the window abrades to the lower side of the roller shutter.

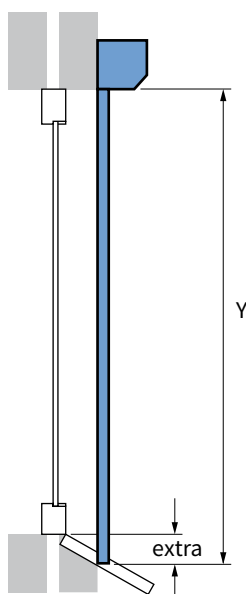
2. Sloping windowsill

Installation on the wall with HTF guides

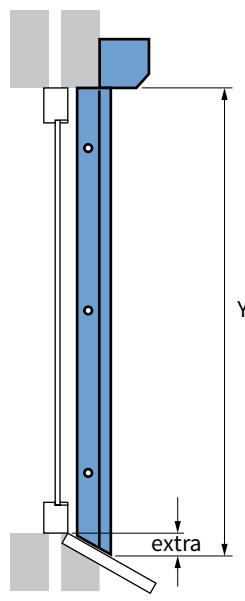
When the guide is mounted next to the windowsill, it is important to calculate **10 mm extra guide height**. The rolling armor can then rest on the windowsill.

Installation in the window frame with LHTF guides

When you have a sloping windowsill, keep in mind that when you measure the height size you will need extra length. Do not measure up to the lower side of the window frame, but up to the lower side of the window sill. The guides need to be sawed sloping.

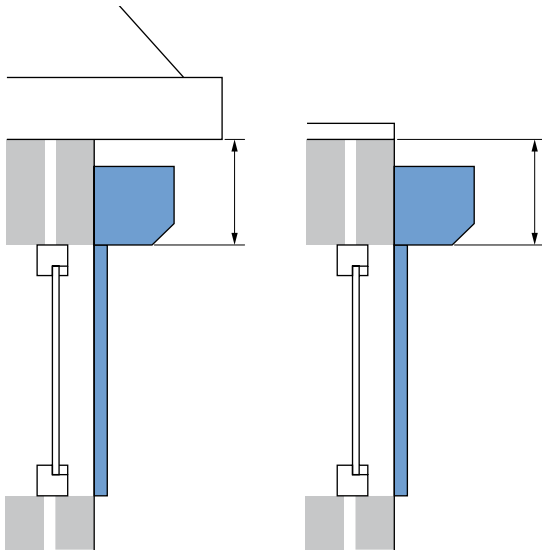


Side view HTF guide (G)



Side view LHTF guide (G)

Extra attention points!



Dormer or low gutter

If you want to place the roller shutter on to a dormer or annex, keep in mind that the space between the top side of the window frame and the gutter or roof edge is large enough for mounting the boxing.

When there is not enough space for the box, you can decide to place the roller shutter on the window frame. Take outward opening windows and doors into account.

In some situations, a roller shutter can not be placed.

Specifications roller shutter boxing

RV 40

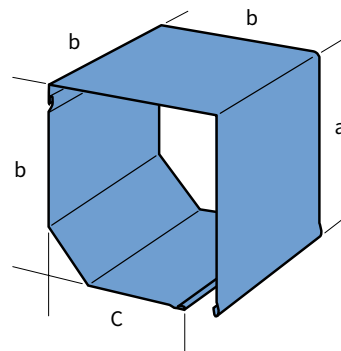
Boxsize [mm]	Maximum guide height [mm]	Maximum total height [mm]
150 +	1150 =	1300
165 +	1535 =	1700
180 +	1920 =	2100
205 +	2795 =	3000

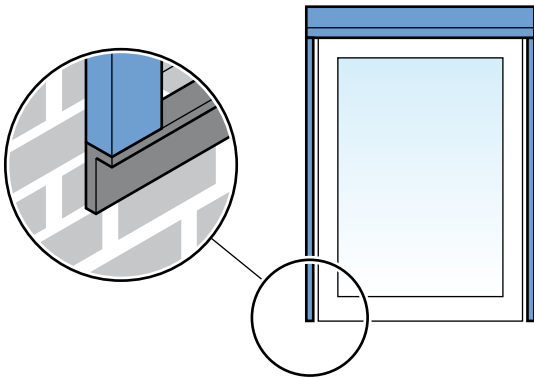
Total height = orderheight

Measuring example when installing on the wall:
 The largest measured height size (Y) is 1538 mm.
 Boxsize (K) is 180 mm.
 Orderheight (H) is 1538 + 180 = 1718 mm

RV 41 ecoline

Boxsize [mm]	Maximum guide height [mm]	Maximum total height [mm]
150 +	1150 =	1300
165 +	1535 =	1700
180 +	2220 =	2400
205 +	2795 =	3000





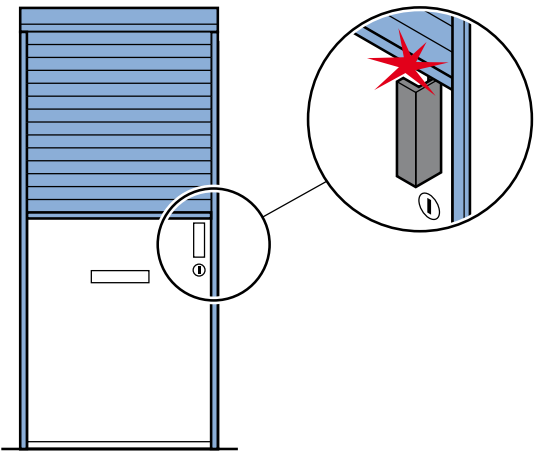
No windowsill

The roller shutter needs a fixed click to close. In most situations, the existing windowsill or floor is enough. When there is now click available (for example at a dormer), you need to order a false windowsill. This ensures that the guides can rest on the false windowsill, so the blinds can not slump down.

The false windowsill is a corner profile and can be delivered in the same color as the roller shutter.

Be aware for obstacles

Protruding parts like outward opening doors and/or windows, ventilation grids, stones or handles can damage the roller shutter or cause a bad closing of the roller shutter.



General warning measuring

Measuring the Verano® product yourself is at your own risk. You are responsible for measuring the right sizes. Use this instruction only as a tool and only for measuring this specific Verano® product.

Not sure about the measuring and don't want the risk of ordering a wrong product? Use the measuring service of your Verano® dealer.