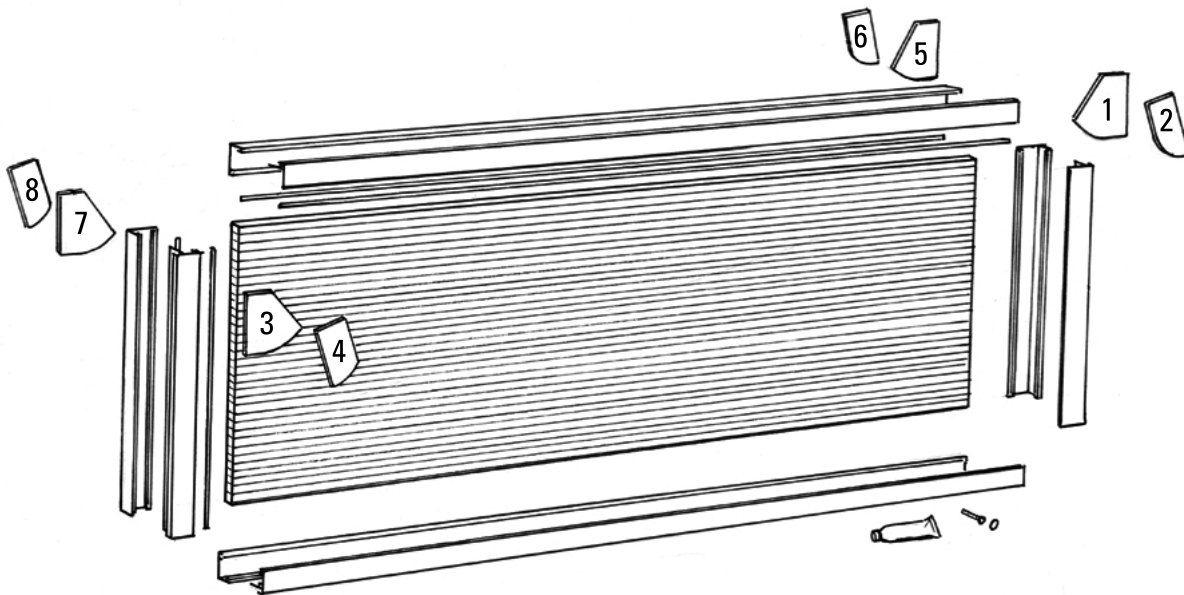


INSTALLATION MANUAL  
**GABLE V780 - JONDAL**

## Partslist

- 2 sets aluminum profiles at projection size
- 2 sets aluminum profiles (100 cm)
- 1 double walled polycarbonate plate (clear or opaque), width 980 cm
- 20 screws with covering caps
- 20 meters glass rubber strip
- 8 corner protecting caps (1 – 8). Seal with kit.

**Not included:** mounting screws and plugs to mount the profiles to the wall and/or veranda.



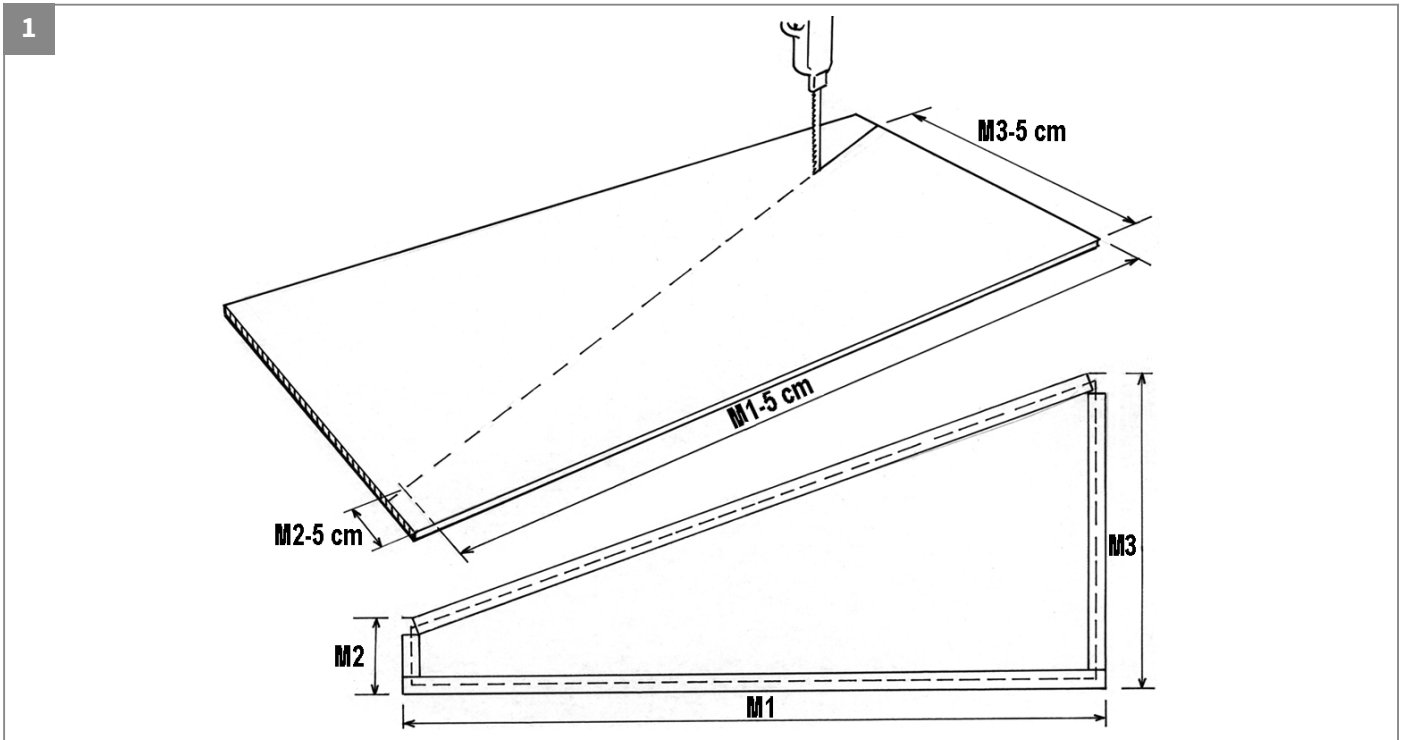
## Important before mounting

### General warning

Mounting the Verano<sup>®</sup> product yourself is at your own risk. Only use this instruction as a tool and for the mounting of this specific Verano<sup>®</sup> product. If you cannot install the product yourself, you can always opt for professional mounting. The mounting team of Verano<sup>®</sup> is pleased to help you.

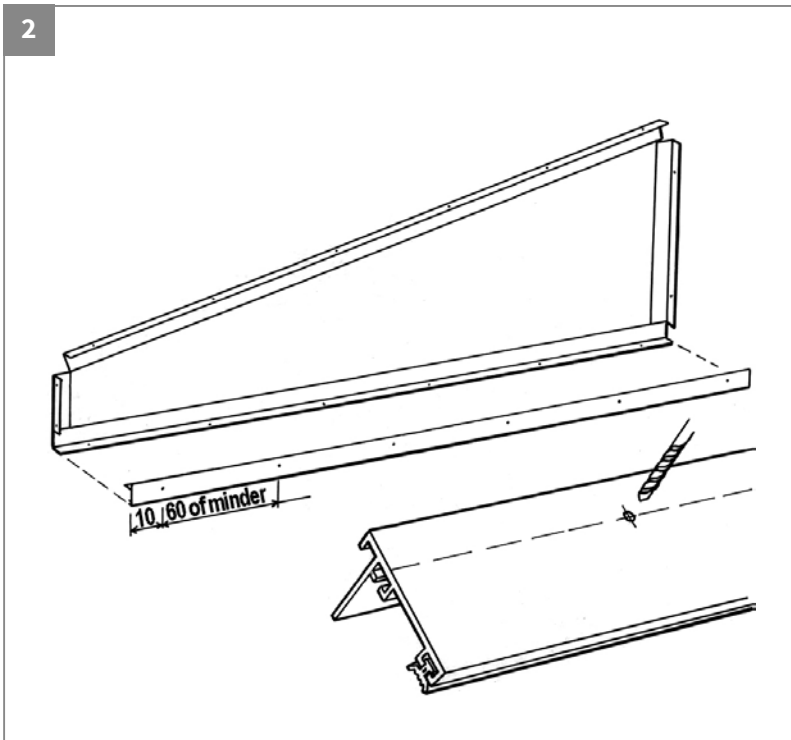
### Be careful for damages

Don't use a knife or any other sharp object when opening the packing. This may cause damage to the content of the assembly. Put the content of the assembly on a soft surface. Be careful when drilling, falling drill cuttings can cause damages.

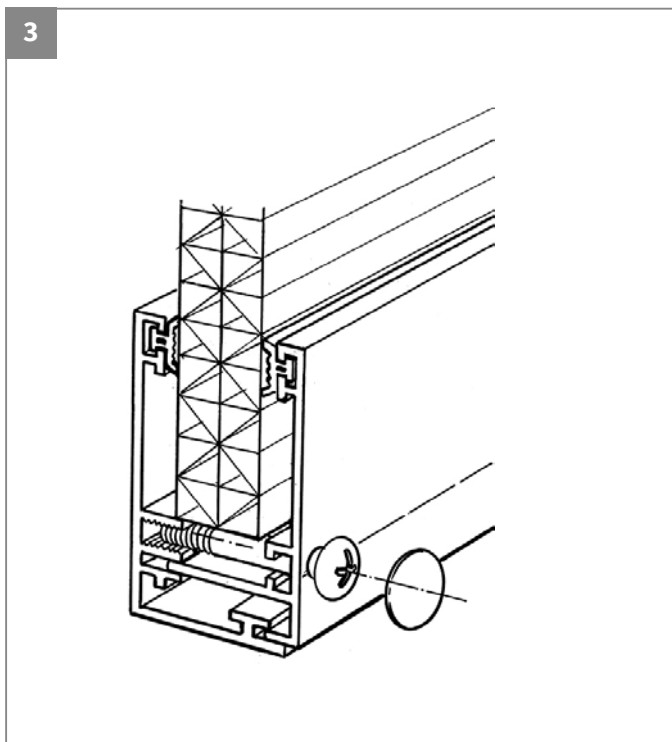


### Measuring and sawing the polycarbonate plate

The size of the polycarbonate plate is 5 cm less than the triangular section which means 2.5 cm around. Saw the plate with a regular jigsaw or handsaw.

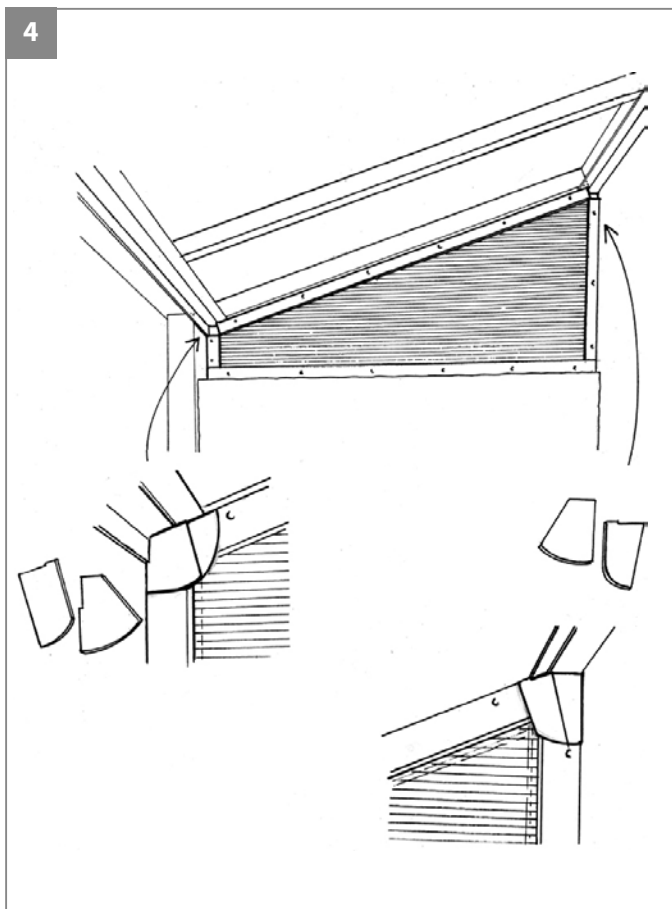


Provide the 4 covering profiles with  $\varnothing 4\text{ mm}$  holes. The long covering profiles 6 holes, 10 cm. From the ends and the short covering profiles 2 holes  $\varnothing 4\text{ mm}$ .



### Mounting the polycarbonate plate

It is easiest to mount the bottom covering profile first and tighten the included screws (m4 roundhead) partially (make sure the polycarbonate plate is level in the middle). Now place all covering profiles and tighten with screws.



The V780 - Jondal is now almost finished, you only need to cover the small corners at the left and right top. Corner protecting caps have been included to cover these small corners. Seal these with kit. The caps must be mounted at both sides.