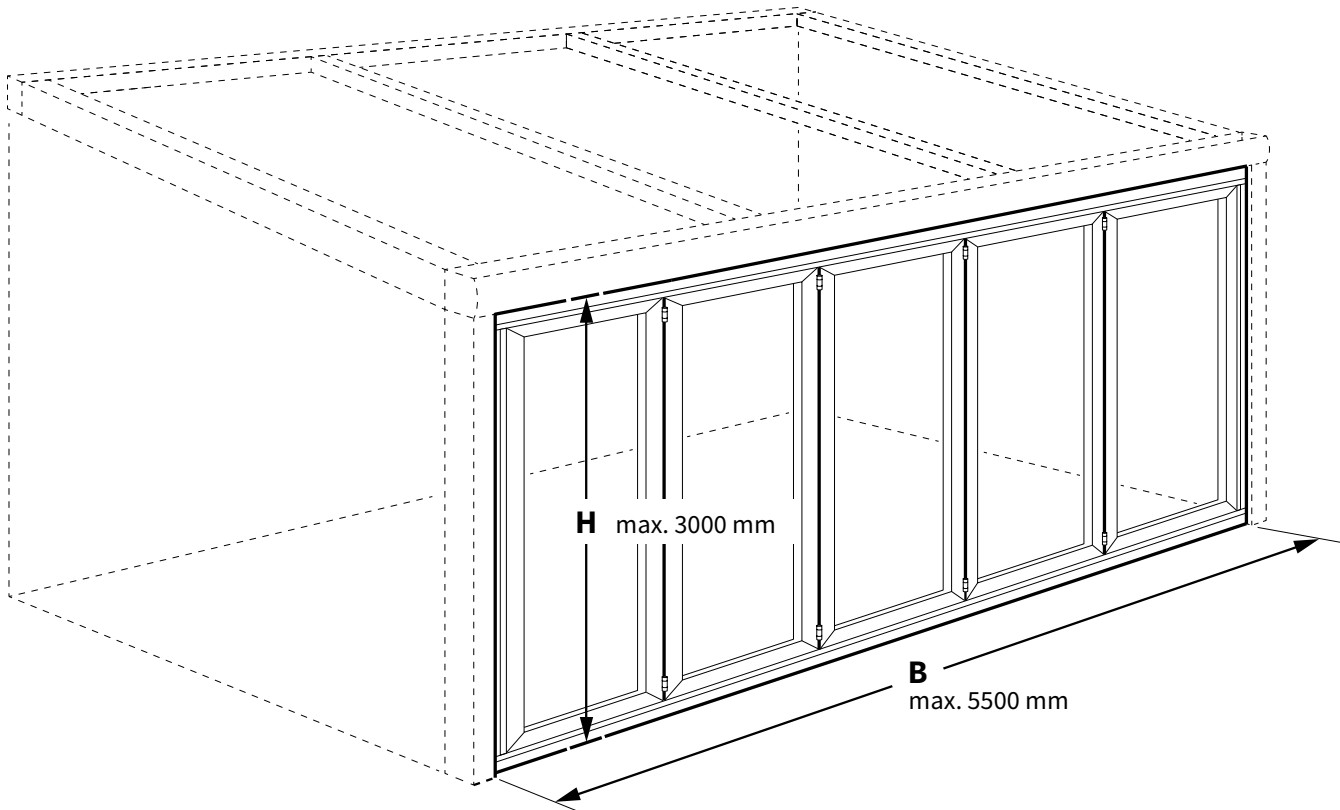


A good preparation!

Before you order a folding glass wall, you need to measure the width and height of the vent. It is important that you mention all sizes in millimeters!



1. Number of sliding parts

	Width [mm]	Height [mm]
4-part	Up to a maximum width of 3000 mm.	Up to a maximum of 3000 [mm]
5-part	From 3000 mm up to a maximum width of 4000 mm.	Up to a maximum of 3000 [mm]
6-part	From 4000 mm up to a maximum width of 5000 mm.	Up to a maximum of 3000 [mm]
7-part	From 4500 mm up to a maximum width of 5500 mm.	Up to a maximum of 3000 [mm]

2. Order width (B)

Distance measured between the inside of your veranda posts.

B = mm

3. Order height (H)

Distance measured from the surface up to the lower part of the gutter profile.

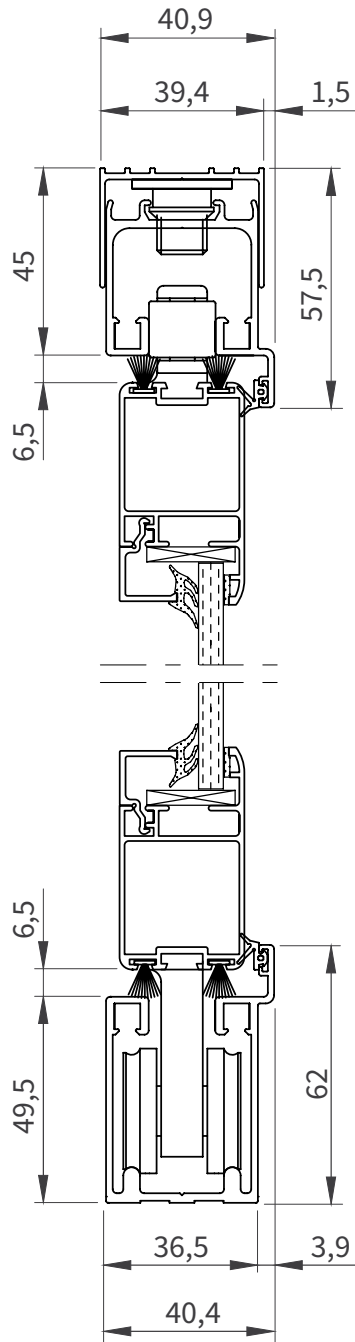
H = mm

4. Closure (always seen from the outside!)

- Package left to the inside
- Package right to the inside
- Package left to the outside
- Package right to the outside

Attention! Keep obstacles that can obstruct the folding glass wall in mind.

Specifications V772-Moli

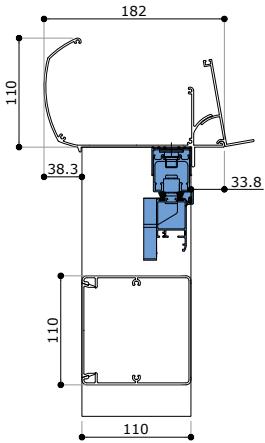


Sizes in mm

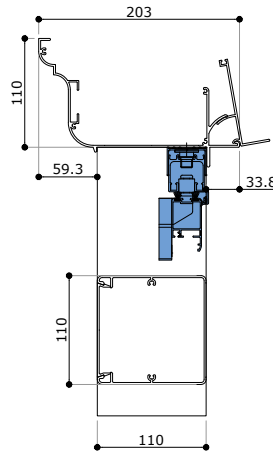
Section profiles

Specifications, when placed under a veranda

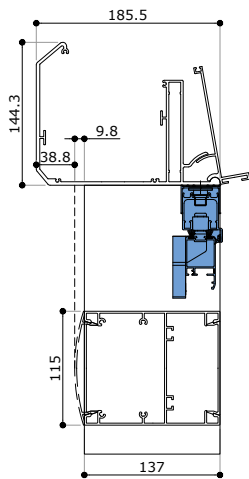
V905 - Iseo standard gutter



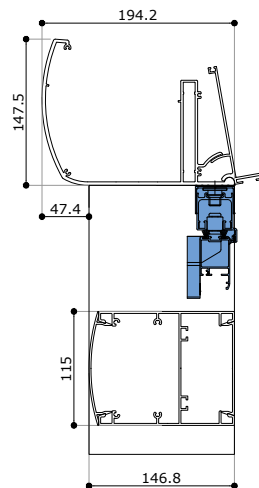
V905 - Iseo classic gutter



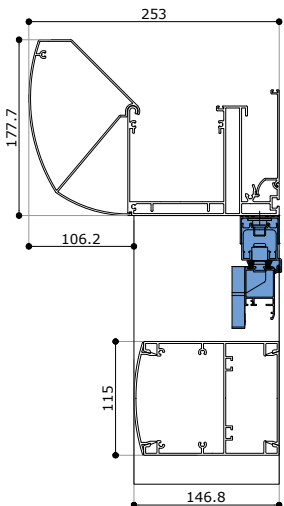
V908 - Ledro straight gutter



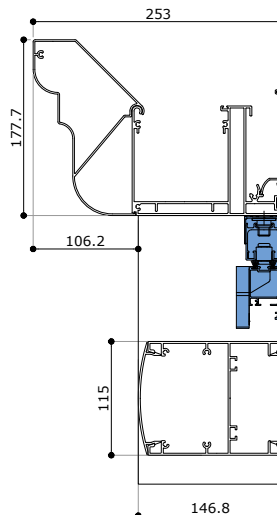
V908 - Ledro round gutter



V910 - Garda standard gutter



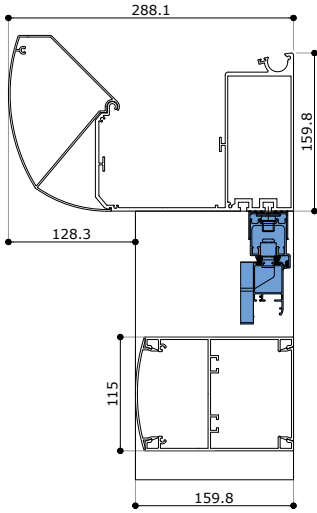
V910 - Garda classic gutter



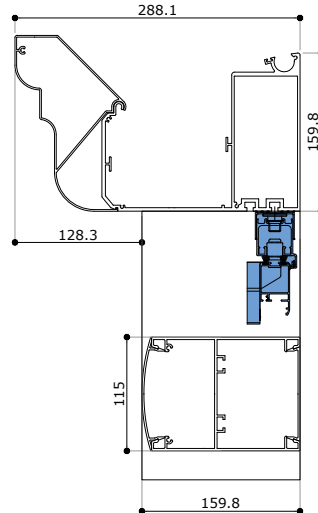
Sizes in mm

Specifications, when placed under a veranda

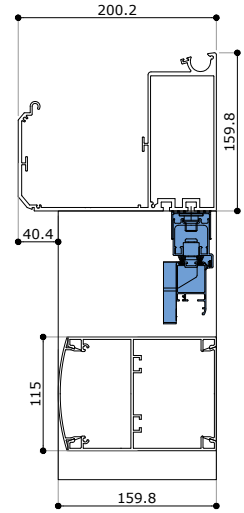
V916 - Como round gutter



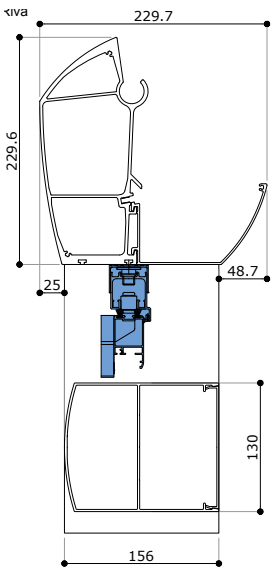
V916 - Como classic gutter



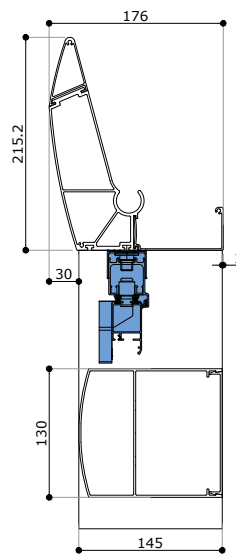
V916 - Como overhang gutter



V920 - Riva gutter



V950 - Lugano gutter



Sizes in mm