

Installation manual

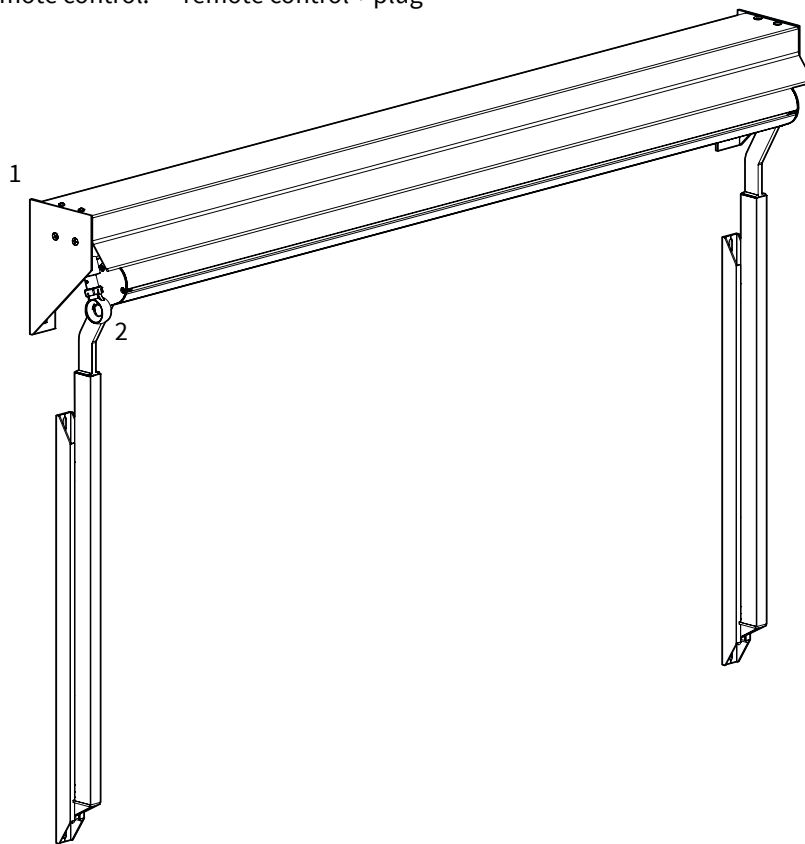
Drop-arm awning
V120 Napoli



Verano[®]

Content

1. Drop-arm awning *
2. Control
 - a. Manual control: crank handle
 - b. Manual control: strap coiler
 - c. Electrical control: switch + plug
 - d. Remote control: remote control + plug



* Depicted awning has manual control

Necessary tools

- Drilling machine
- Masonry drill
- Crosshead screwdriver
- Socket wrench
- Allen key set
- Rattle with extension piece, cap
- Tapeline
- Level
- Pencil

In case of electrical control:

- Shears
- Flathead screwdriver

Important before installation

General warning

Installing the Verano® product yourself is at your own risk. Only use this instruction as a tool and for the installation of this specific Verano® product.

If you cannot install the product yourself, you can always opt for professional installation. The installation team of Verano® is pleased to help you.

Be careful for damages

Don't use a knife or any other sharp object when opening the packing. This may cause damage to the content of the package.

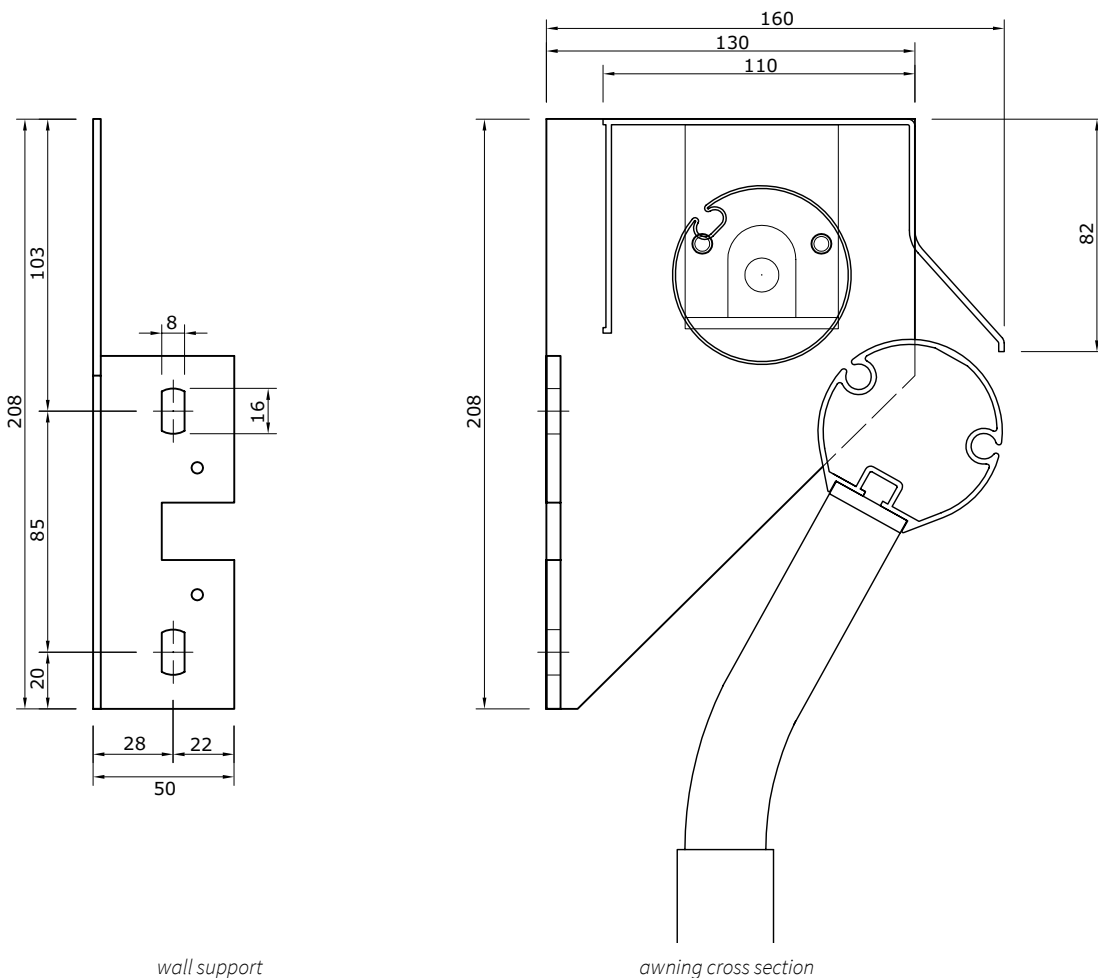
Put the content of the package on a soft surface. Be careful when drilling, falling drill cuttings can cause damages.

Check if the window frame or façade is flat and smooth.

Specifications V120 Napoli

Installation

Measurements in mm



Width (W)

minimal 2000 mm

maximal 10000 mm

1. Wall installation

1.1 Marking the holes for the wall supports

The two wall supports (A) need to be levelled, both horizontal and vertical. See figure 1.1 and 1.2. They need to be installed to the wall in one line. If the wall supports are not levelled (unequal position of the arms as a result), the awning will not function well.

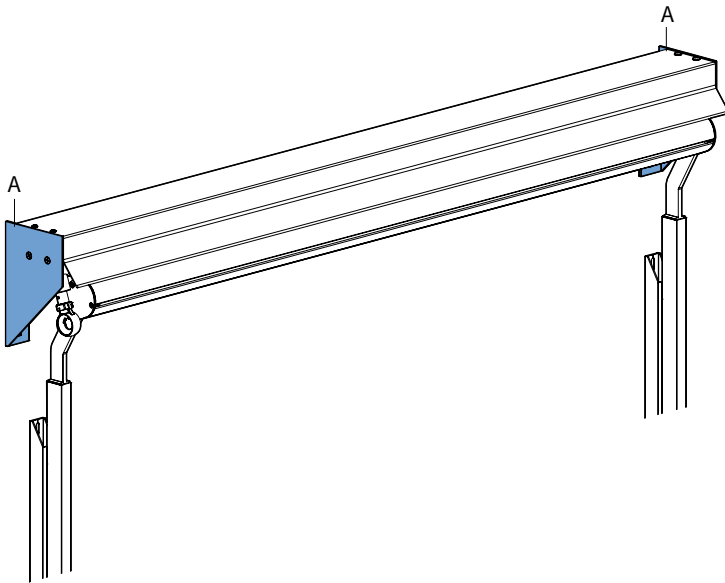


fig. 1.1 Wall supports drop-arm awning

Precisely mark the drill holes for the wall supports (A) on the wall according to size X and size Y in figure 1.2. Make sure that the installation holes on top are in the middle of the stone.

X = awning width

Y = window frame plus minimal 30 cm

A = wall supports

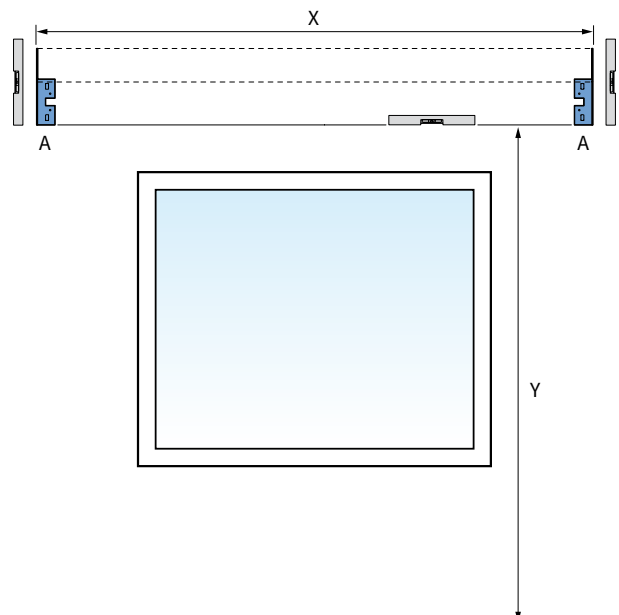


fig. 1.2 Placement of the wall supports

1.2 Drilling the holes

Drill the installation holes. We advise to use a masonry drill if the wall is made of stone or concrete. Use matching, high quality plugs and bolts (standard A2 or for a sea climate A4). Install the awning to the wall and fixate the bolts in the wall supports (A). Use a rattle with extension piece.

1.3 Drilling the hole for control

1. Carefully mark the extension hole where the cable or strap needs to go inside for the control.
 - Cable: the hole needs to be exactly at the same height as where the cable comes out of the box.
 - Strap: use the cleft in the wall support (fig. 1.4).

Drill the hole for the wall lead-through.

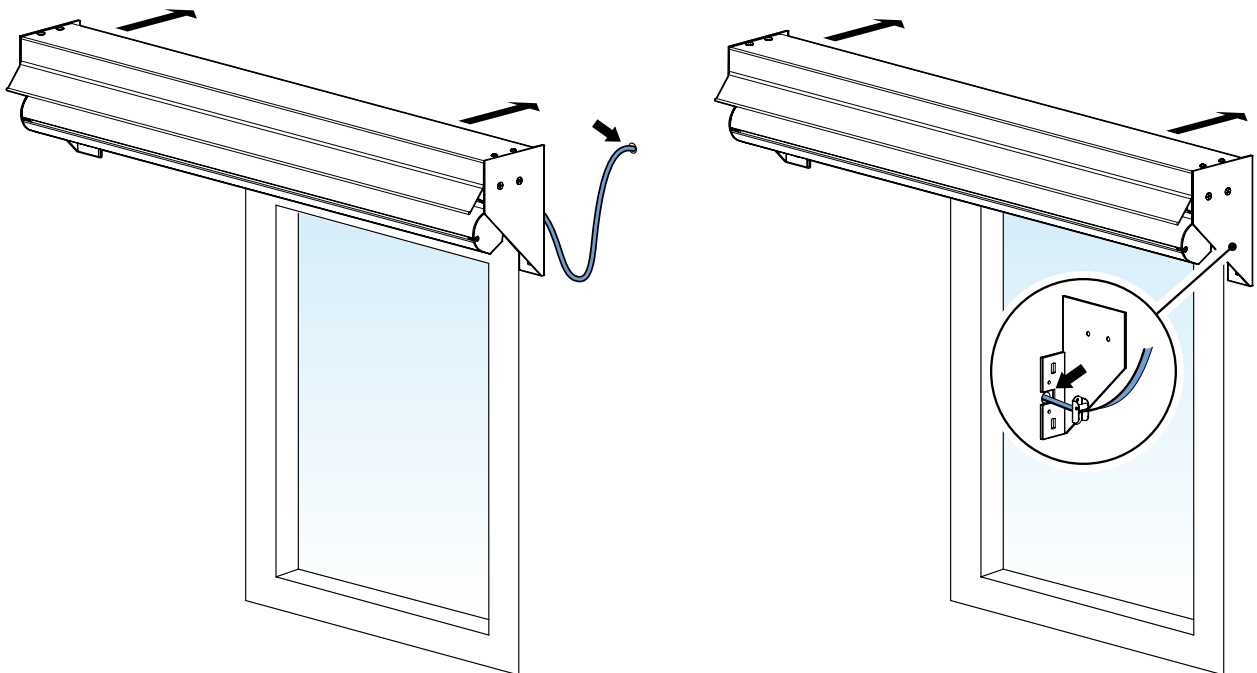
Before drilling, check if there are no pipes or other obstacles in the wall. Always use a shelf inside the wall to prevent damages to the plaster.

- Lead-through for the pull-up strap: 20 mm (drill 10 mm, after that 20 mm).
- Lead-through for electrical cable: 10 mm.

1.4 Installation of the awning with inside control

1. Hang the awning in the wall supports. See figure 1.3 for electrical control or 1.4 for strap control.
2. Cable: lead the electrical cable inside through the drill lead-through hole.

Strap: install the strap guide to the wall support with the pulley on top. Guide the strap inside through the strap guide and the drilled lead-through hole.



Cable

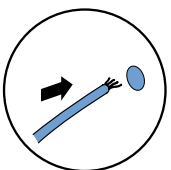


fig. 1.3 Hanging a motorized awning

Strap

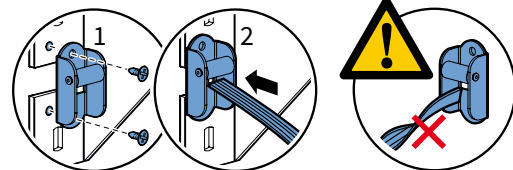


fig. 1.4 Hanging an awning with inside strap control

2. Installation of the drop-arms

2.1 Marking the holes for the drop-arms

Mark the drop-arms following the drawing below. The drop-arms need to be placed in one line. If the positions of the drop-arms are not levelled, the awning will not function well. The pictured sizes are the minimal sizes that the drop-arm needs to fall inside the drop-arm awning.

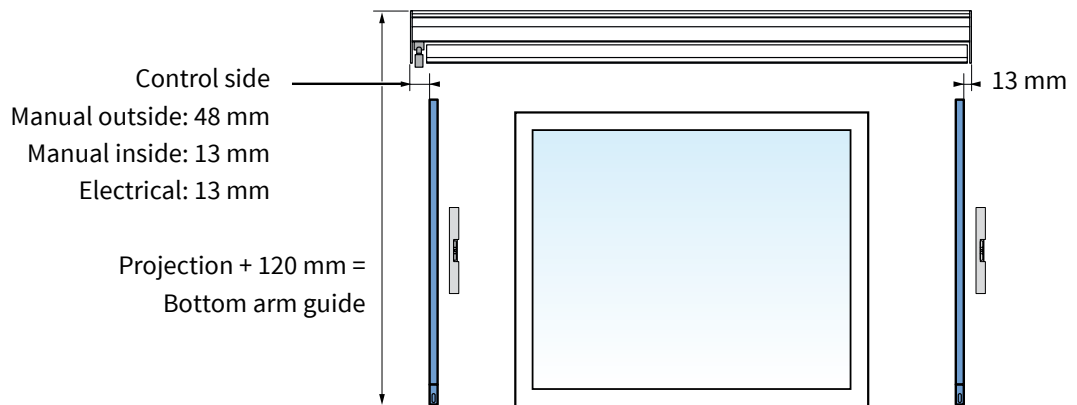


fig. 2.1 Measuring the drop-arms

2.2 Drilling the holes

Drill the installation holes. We advise to use a masonry drill if the wall is made of stone or concrete. Use matching, high quality plugs and bolts (standard A2 or for a sea climate A4). Install the drop-arm to the wall by first fixing it on the bottom side (fig 2.2).

Remove the tape from the arm (fig 2.3). Attention! The arm is under tension and will unfold immediately!

Fixate the top side (fig. 2.4).

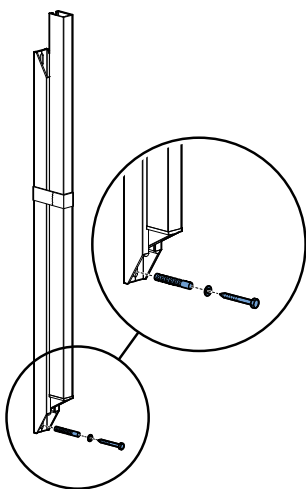


fig. 2.2 Fixate the bottom of the drop-arm

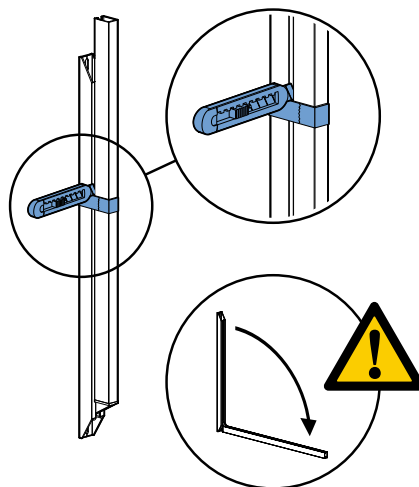


fig. 2.3 Remove the tape

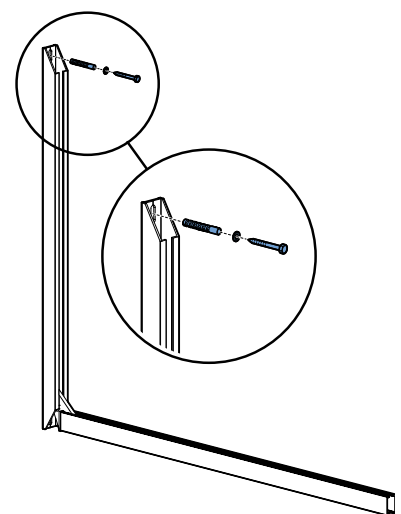


fig. 2.4 Fixate the top of the drop-arm

2.3 Setting the sheets to the arms

Slide the sheets in the ends of the arms. Make sure that the sheets are faced downwards (fig. 2.5).
Fixate the sheets with the included screws (fig. 2.6)

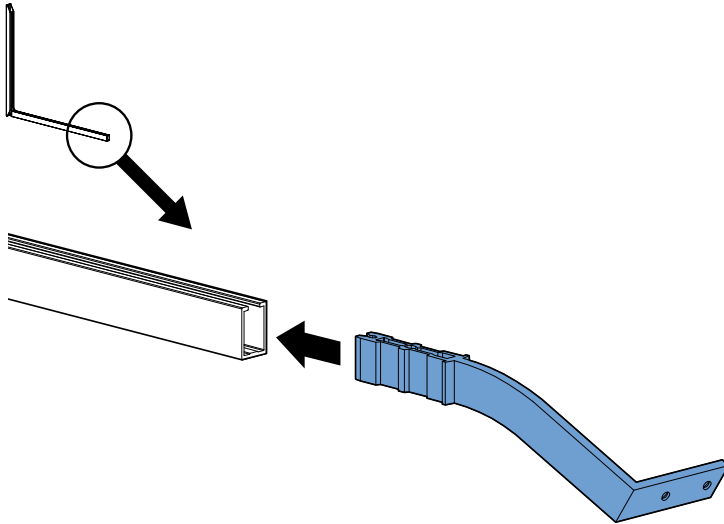


fig. 2.5 Sheet in the arms

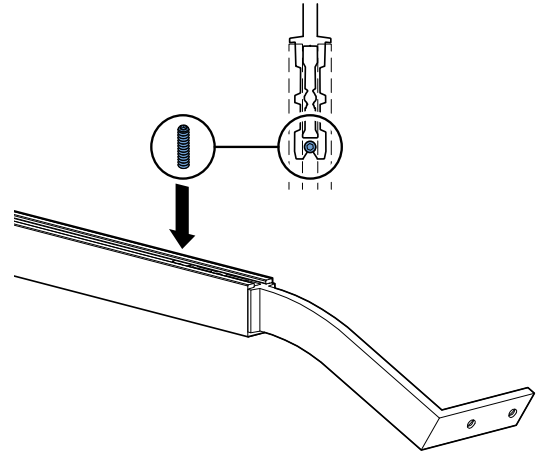


fig. 2.6 Fixating of the sheets

2.4 Fixing the arms to the front bar

Turn the drop-arm up (fig 2.7) Attention! The arm is under pressure.
Screw the drop-arm to the fixing plate in the front bar (fig. 2.8).
Repeat these steps for all arms.

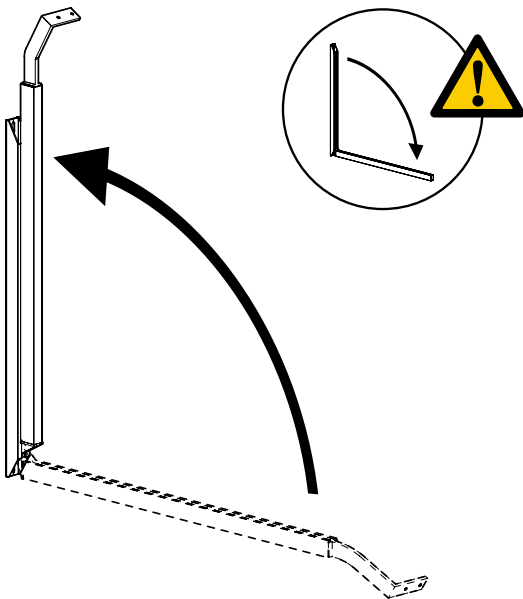


fig. 2.7 Folding back the drop-arm

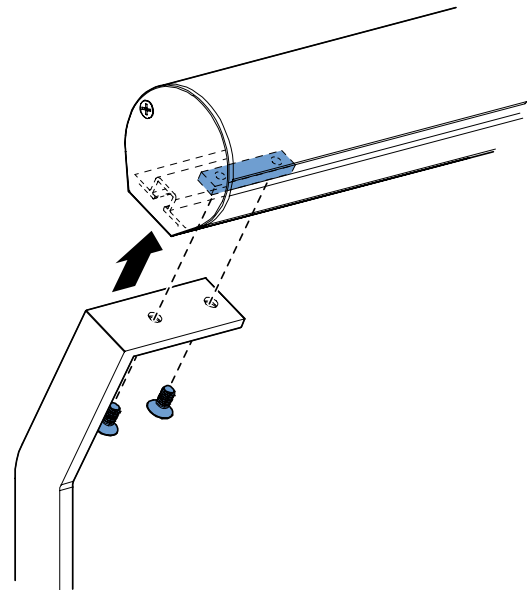
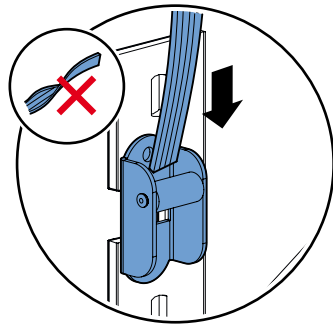
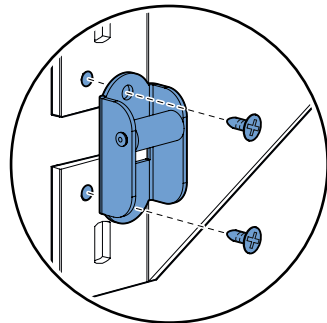
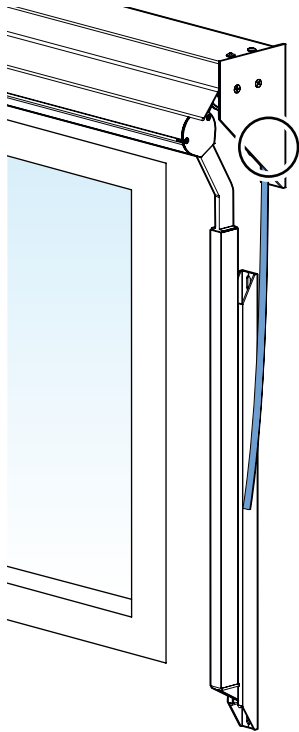
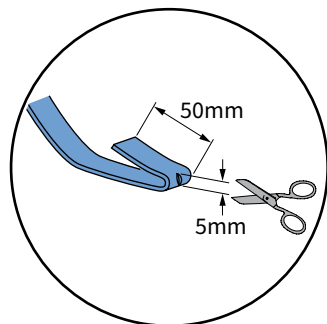
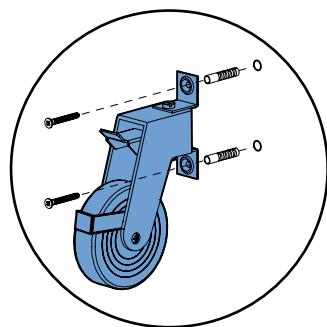
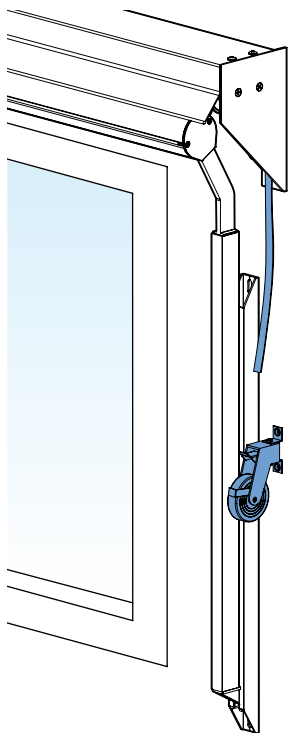


fig. 2.8 Fixating the drop-arm

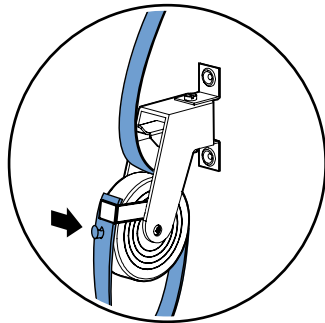
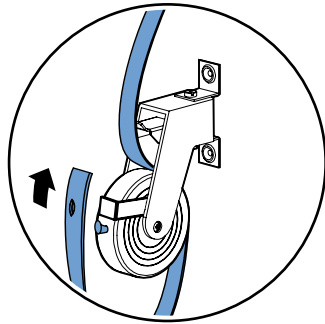
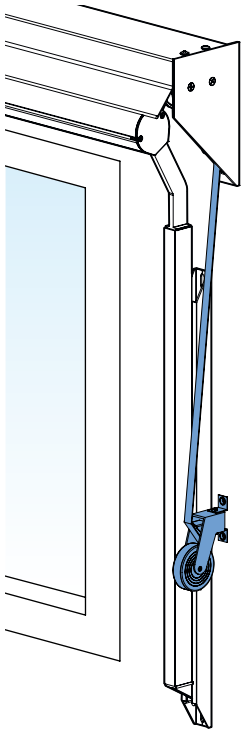
3. Installation of the strap coiler (outside)



1. Install the strap guide to the wall support using two recessed screws.
2. Lead the pull-up strap through the strap guide. Make sure that the pull-up strap is not twisted.

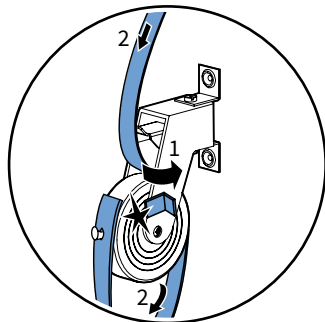
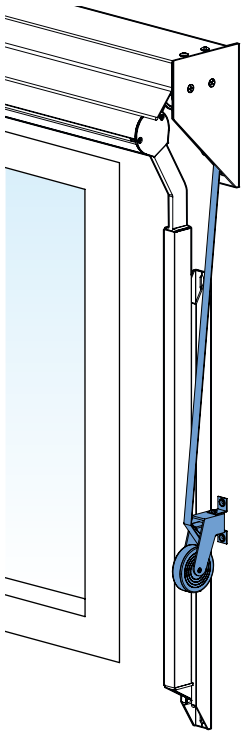


3. Determine the position of the strap coiler and mark two holes on the window frame or the wall. Make sure that the strap and the coiler are placed in one line.
4. Drill the holes.
5. Place the plugs and install the strap coiler with two recessed screws.
6. Fold the end of the pull-up strap and cut a small hole.



7. Lead the end of the pull-up strap through the strap coiler and place the holes over the flap.

Attention! Never shorten the strap before installation! You need the strap length when the drop-arm awning opens.

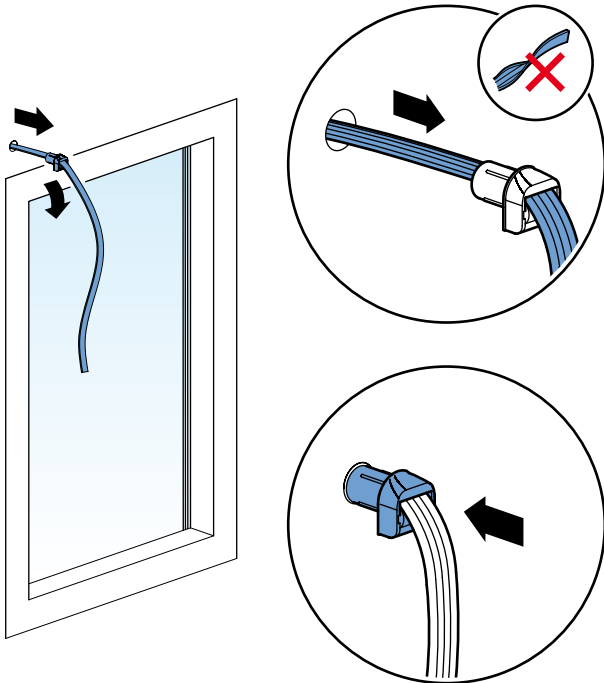


8. Break the plastic hook to bring tension to the strap coiler. Now, the full length of the strap automatically rolls on the strap coiler.

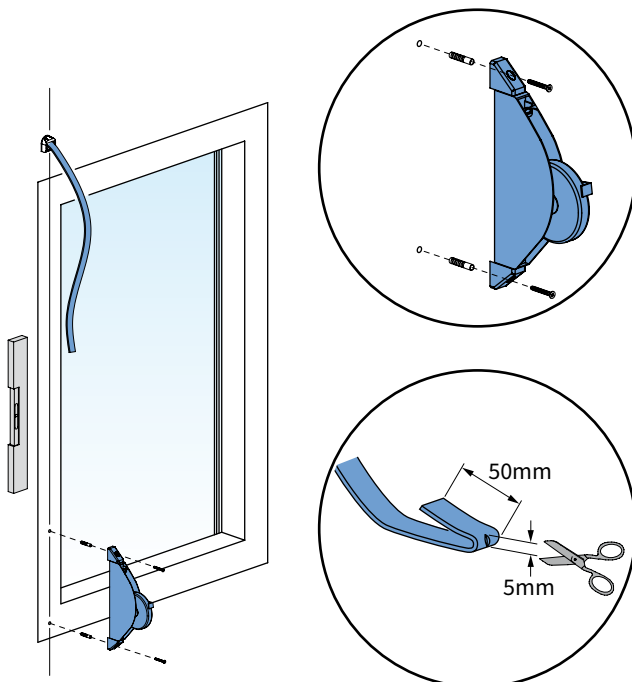
9. The manual operated awning is ready for use and can be controlled from the outside.

4. Installation of the strap coiler (inside)

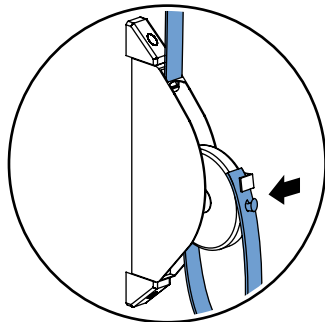
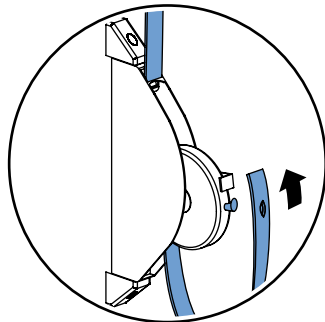
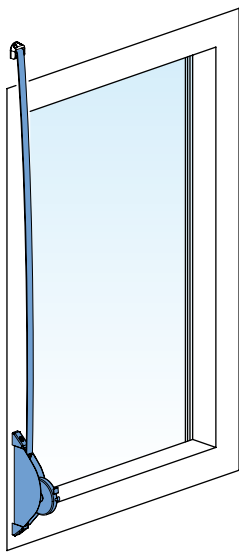
1. Put the pull-up strap through the guide pulley. Make sure that the pull-up strap is not twisted.



2. Place the guide pulley in the control hole.

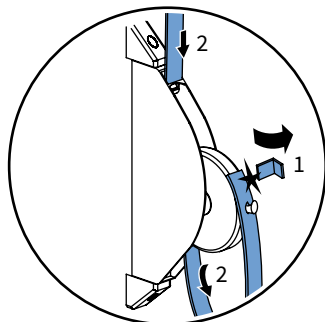
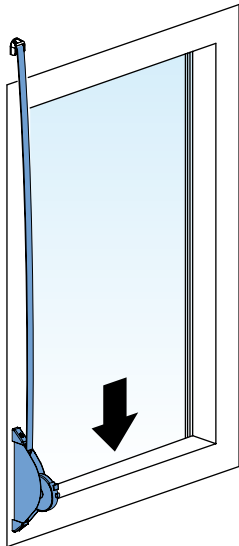


3. Determine the position of the strap coiler and mark two holes on the window frame or the wall. Make sure that the strap and the coiler are placed in one line.
4. Drill the holes.
5. Place the plugs and install the strap coiler with two recessed screws.
6. Fold the end of the pull-up strap and cut a small hole.

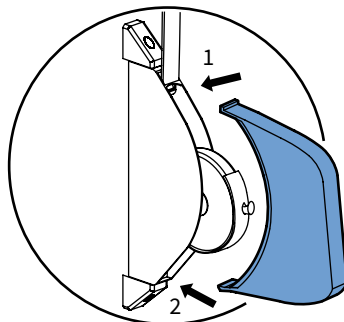


7. Lead the end of the pull-up strap through the strap coiler and place the holes over the flap.

Attention! Never shorten the strap before installation! You need the strap length when the drop-arm awning opens.



8. Break the plastic hook to bring tension to the strap coiler. Now, the full length of the strap automatically rolls on the strap coiler.



9. Place the cap over the strap coiler.

10. The manual operated awning is ready for use and can be controlled from the inside.

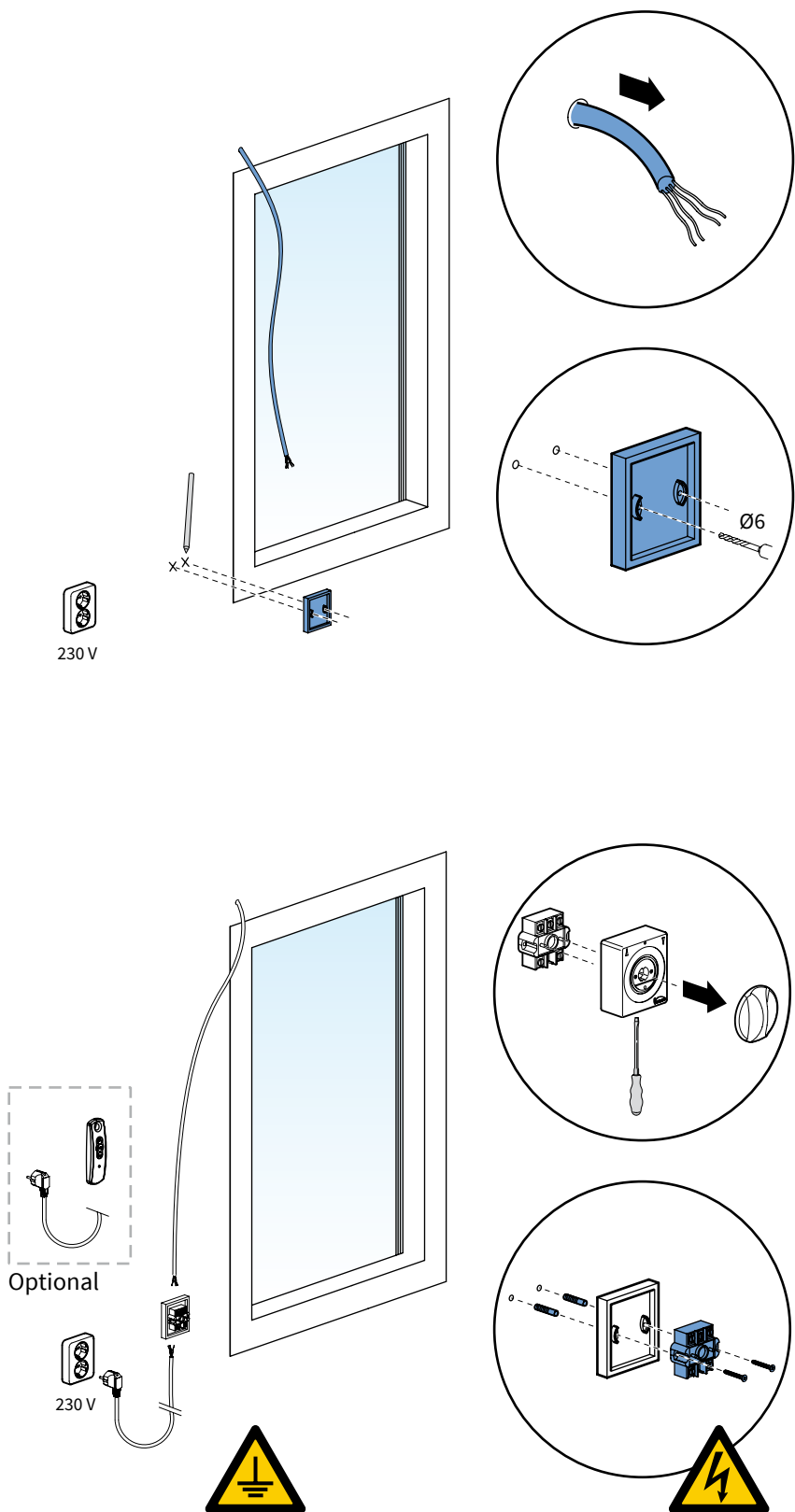
5. Installation of electrical control (inside)

1. Determine the position of the switch and mark two holes on the inside of the wall.

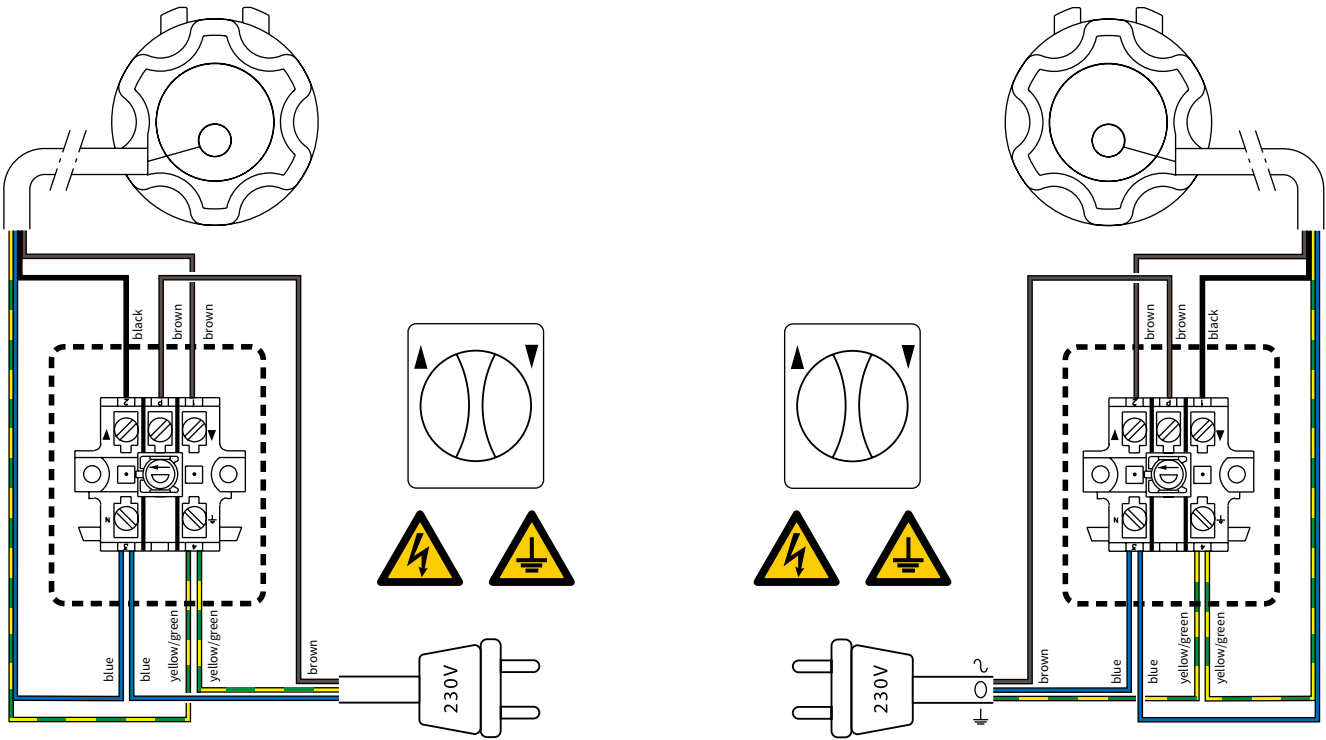
2. Drill the holes with a 6 mm drill.

3. Open the switch using a flathead screwdriver.

4. Place the plugs and install the switch using two recessed screws. Make sure that the power is switched off and without voltage!

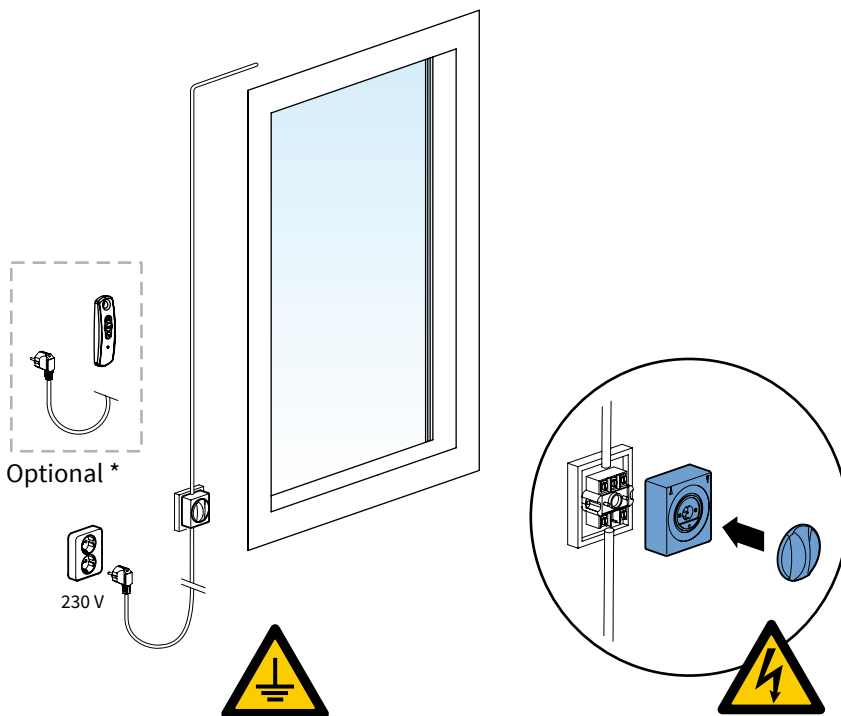


5. Connect the 4-wired cable of the motor and the 3-wired cable and plug following the scheme below.
If necessary, ask an installer for advise.



Motor left (seen from the outside)

Motor right (seen from the outside)



6. Install the switch.

When a wireless remote control is used, the 3-wired cable can be connected directly to the socket.

7. Put the plug in the socket and turn the power on.

The drop-arm awning is now ready.

* See the included SOMFY instruction for the setting of the remote control.

6. Setting of the front bar

Make sure that the front bar is located at an equal distance from the cap over the whole width (fig. 6.1). Set the front bar by loosening the bolts of the drop-arm in one turn (fig 6.2). After that, the drop-arm can slide up and down (fig. 6.3). If the front bar is set well, you can fix the bolts of the drop-arm (fig 6.4).

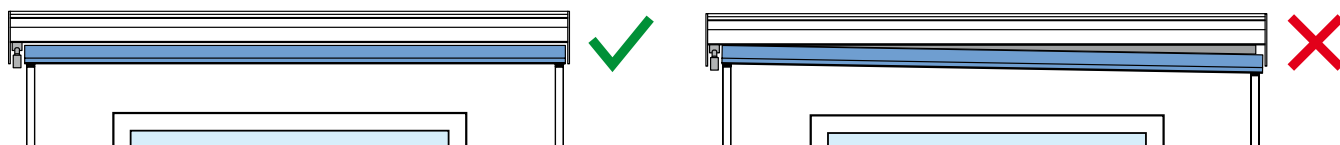


fig. 6.1 Examples of settings

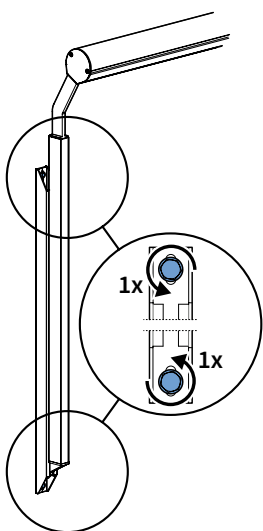


fig. 6.2 Loosening the bolts

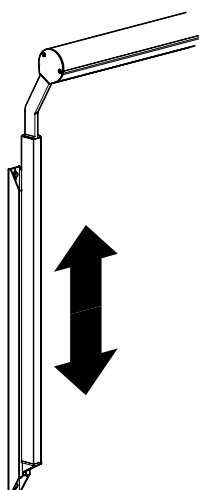


fig. 6.3 Setting of the front bar

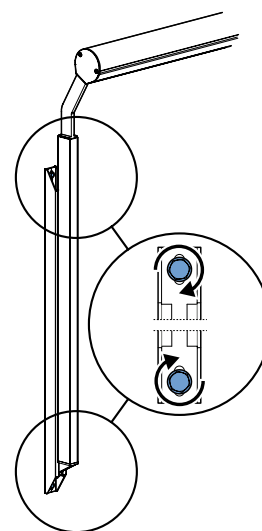


fig. 6.4 Fixing of the bolts

7. Valance

7.1 Installation of the valance

Follow the steps below to install the valance. See figure 7.1.

1. Remove the cap of the front bar at one side. The fabric tendon is hidden in the front bar.
2. Slide the fabric tendon in the valance at the open side.
3. Slide the valance carefully in the designated recess. Guide the valance to prevent ripping.
4. Install the cap.

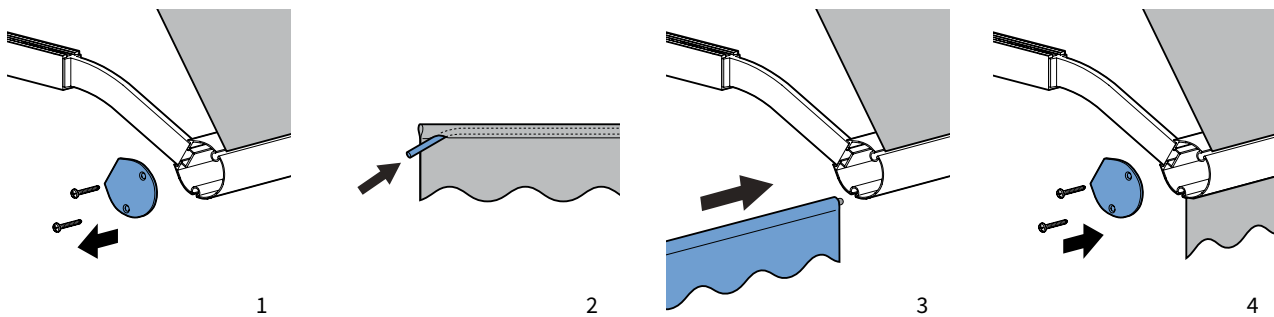


fig. 7.1 Installation of the valance

User information

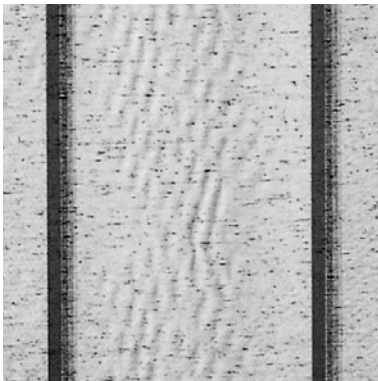
A high quality cloth is integrated into your chosen screen. In view of optimal quality we have chosen a high technology production process in which every step of the production is strictly selected. By way of automation, permanent checks, laboratory tests and finely detailed after-care, nothing is left to chance. This allows us to guarantee the resistance as well as the strength and durability of the colours of your screen for many years to come.

Starting with a completely pigmented poly-acryl material, which gives it its exceptional quality, our screens have the advantage of total monitoring during the production process. In spite of all this there may be small irregularities

in your screen that are difficult to detect and impossible to avoid. They are inherent in all technical materials but do not reduce the technical presentation and durability of your screen.

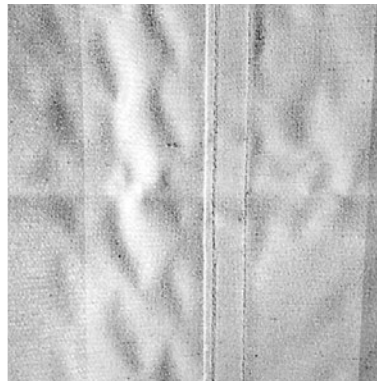
Waffling, chalk stripes, small pleats next to the seam or in the middle of the screen or nap can appear. The retailer cannot be held responsible for these irregularities.

Cable motor: if broken off, cannot be guaranteed.



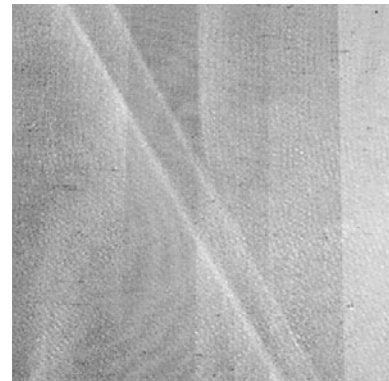
Wave forming or wrinkle forming

All technical materials can display these symptoms in the middle of a canvas. They are especially noticeable with backlight through the difference in light reflection.



Wave forming

Next to the seams, caused by the unavoidable tension difference in rolling up.



Fold stripes/ chalk stripes

A fold caused during the manufacture, can show a darker stripe by light reflection. This is mostly noticeable in lighter coloured blinds.

These small irregularities have no effect whatsoever on the quality of the screen and do not constitute the screen being replaced. However do inform us if you notice any irregularities in colour fastness, decay or resistance, in fact in any of the basic characteristics of our 2-year guarantee.



www.verano.eu