



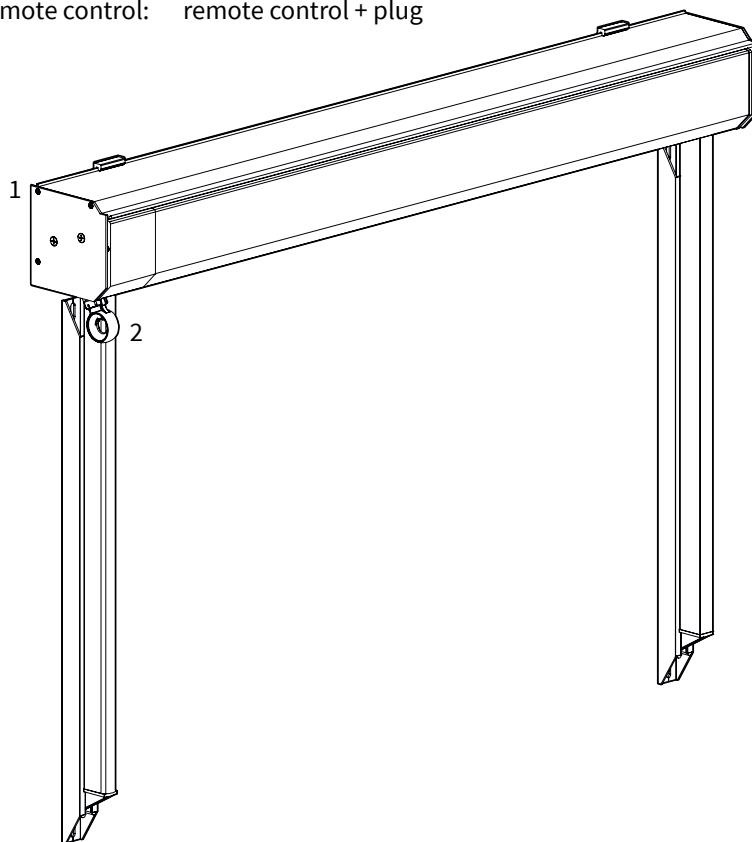
Installation manual

Drop-arm awning
V170 Palma

Verano®

Content

1. Drop-arm awning *
2. bediening
 - a. Manual control: crank handle
 - b. Manual control: manual control mono inside (winding machine inside + crank handle)
 - c. Electrical control: switch + plug
 - d. Remote control: remote control + plug



* Depicted awning has manual control

Necessary tools

- Drilling machine
- Masonry drill
- Crosshead screwdriver
- Socket wrench 10/13/17
- Allen key set
- Rattle with extension piece, cap 10/17 mm
- Tapeline
- Level
- Pencil

In case of electrical control:

- Shears
- Flathead screwdriver

Important before installation

General warning

Installing the Verano® product yourself is at your own risk. Only use this instruction as a tool and for the installation of this specific Verano® product.

If you cannot install the product yourself, you can always opt for professional installation. The installation team of Verano® is pleased to help you.

Be careful for damages

Don't use a knife or any other sharp object when opening the packing. This may cause damage to the content of the package.

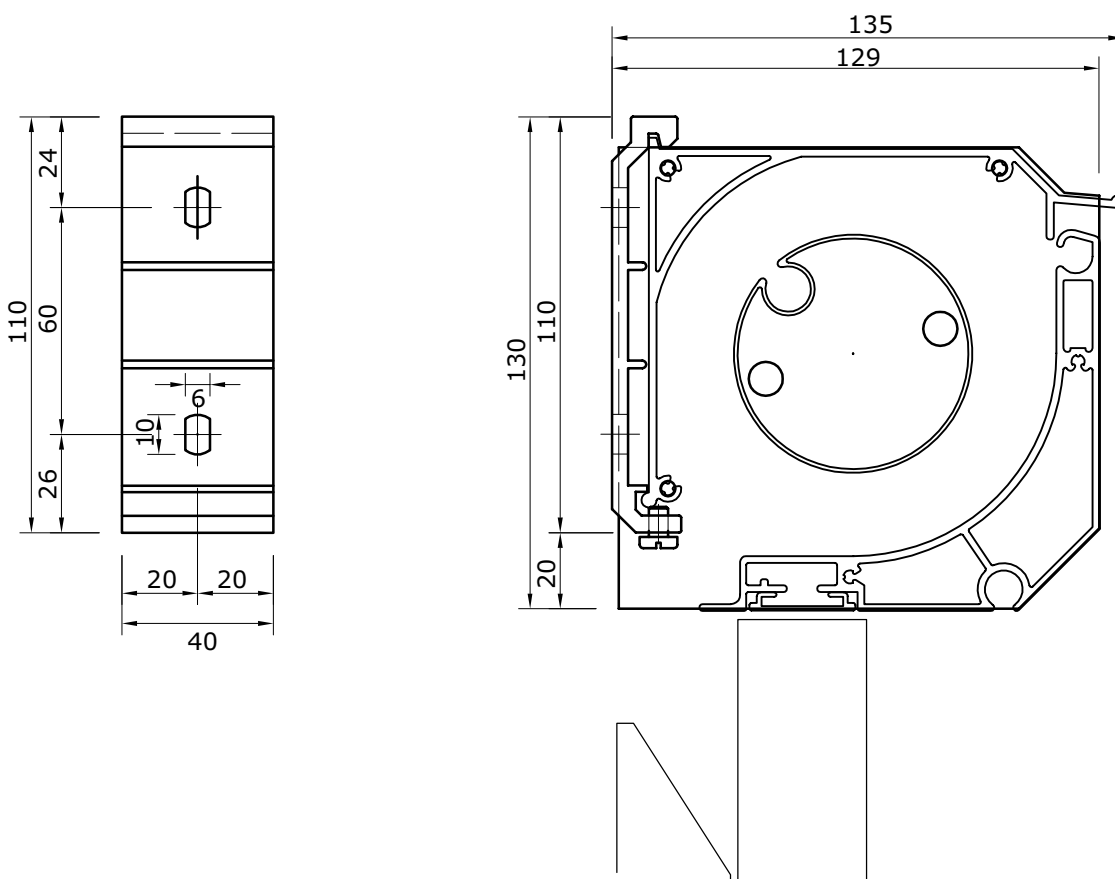
Put the content of the package on a soft surface. Be careful when drilling, falling drill cuttings can cause damages.

Check if the window frame or façade is flat and smooth.

Specifications V170 Palma

Installation

Measurements in mm



wall support

awning cross section

Width (B)

minimal 2000 mm

maximal 8000 mm

1. Installation of the wall supports

1.1 Marking the holes for the wall supports

The wall supports need to be installed 10 cm to 15 cm from the ends (fig 1.1).
Optional remaining wall supports need to be divided equally between the two outer wall supports.

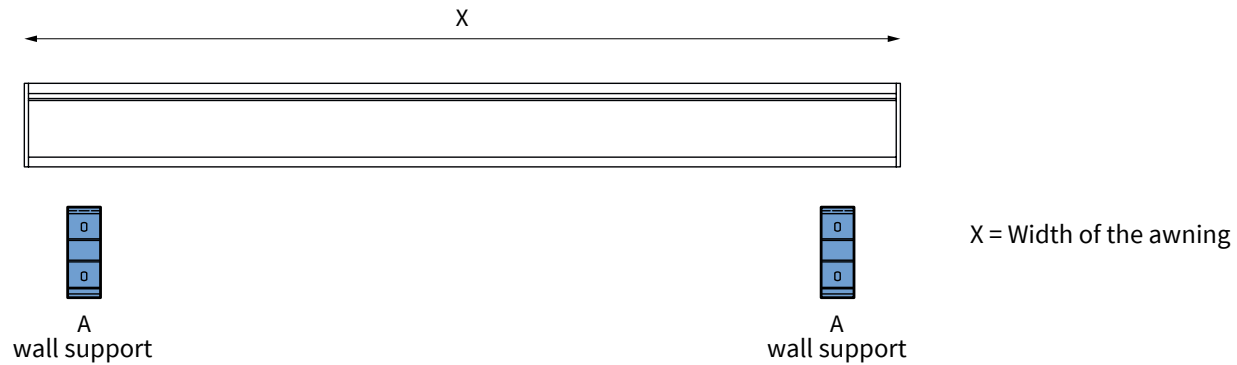


fig. 1.1 Marking the holes for the wall supports

Mark the drill holes of the wall supports to the wall (A). They need to be aligned level, both horizontal and vertical. See figure 1.2. Make sure that both the installation holes for the wall supports are in the middle of the stone. See figure 1.3. If necessary, use an align-cord.

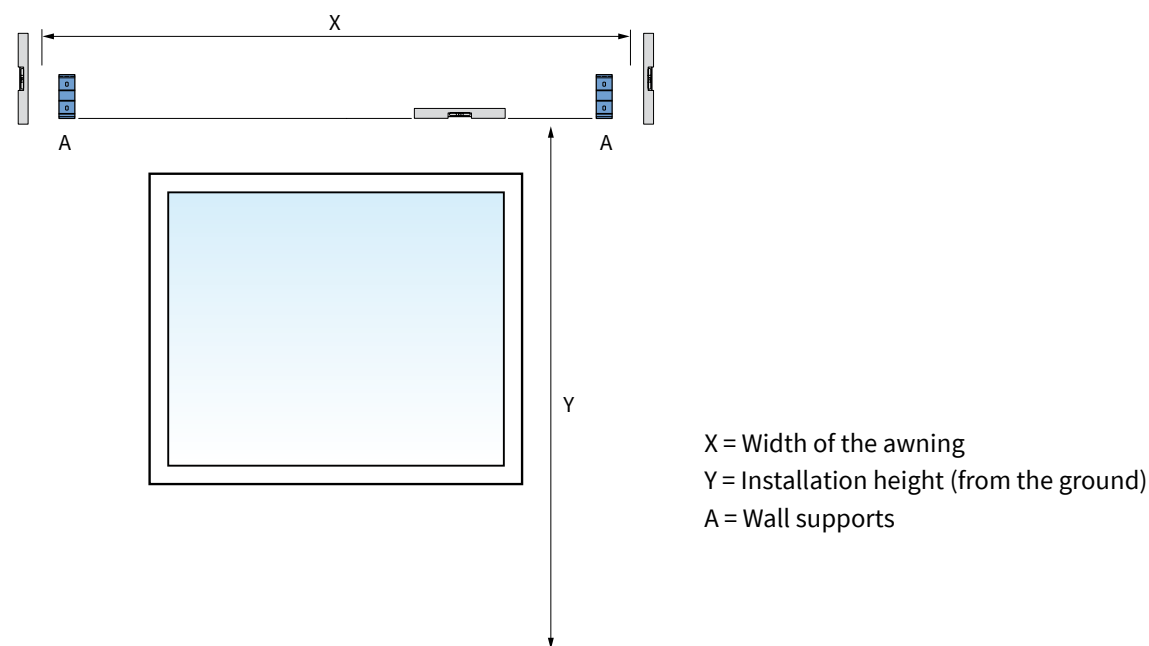


fig. 1.2 Placement of the wall supports

1.2 Drilling the holes

Drill the installation holes. Use matching, high quality plugs and bolts (standard A2 or for a sea climate A4). Install the awning to the wall and fixate the bolts. See figure 1.3.

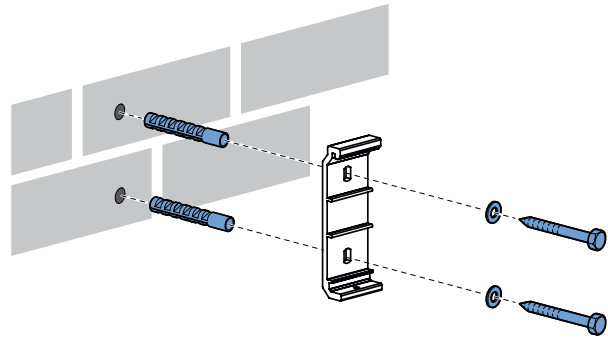


fig. 1.3 Installation of the wall support

1.3 Drilling the operating hole (when operating indoors)

1. Carefully mark out the grommet where the cord or axle should be for operation. Electric: the hole for the cord must be at the exact same height as the place where the cord comes out! Mono inside: the hole for the axle must be at the exact same height as the spot where the axle comes out of the cover!

See figure 1.4 (The axle can possibly pass under a (vertical) angle through the wall. This angle should be specified in advance while ordering the screen, see figure 1.5)

2. Make sure that there are no pipes and the like in the wall when drilling!! Always use a slat on the inside of the house, so that the stucco doesn't get damaged.

Electrical: Grommet for electrical cord: 10 mm.

Mono inside: grommet for axle: ± 15 mm.

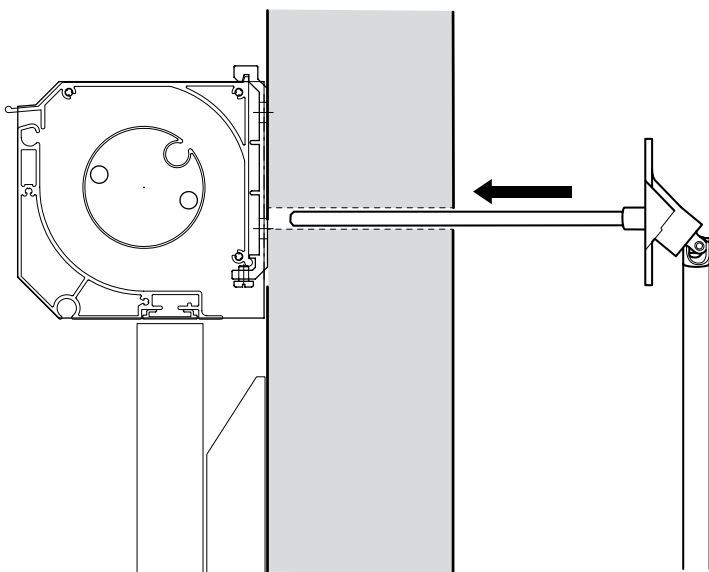


fig. 1.4 Standard installation manual control mono inside

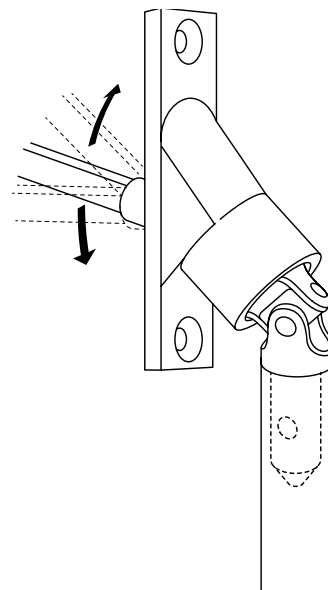


fig. 1.5 Knee joint with movable axle

1.4 Extra wall supports with a weak wall

If there are less than 5 stones above the installation location, an extra wall support is needed. This extra wall support divides the power over a bigger wall surface, this way the wall can carry more weight. See figure 1.6.

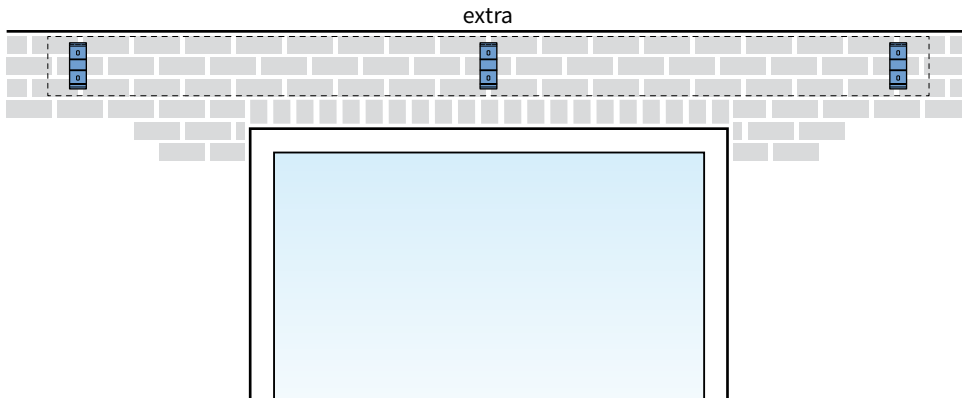


fig. 1.6 Application of extra wall supports

2. Installation of the awning

2.1 Installation of the awning with manual control (outside)

Hang the awning in the wall supports. See figure 2.1 and 2.2. Proceed with step 2.3 “Securing the awning”.

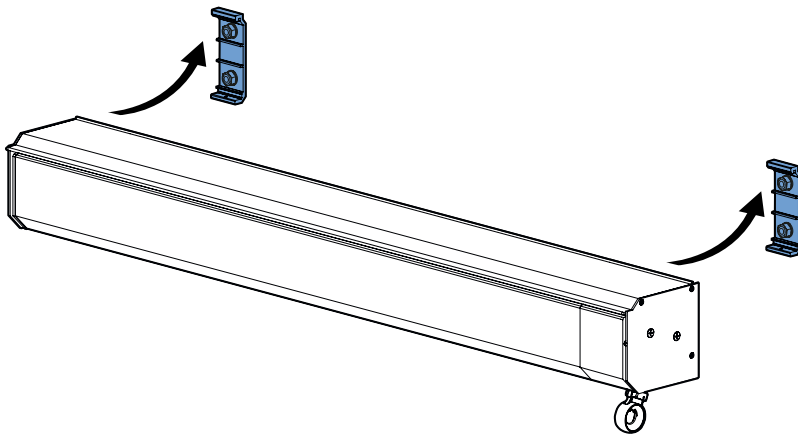


fig. 2.1 Hang the awning (outside control)

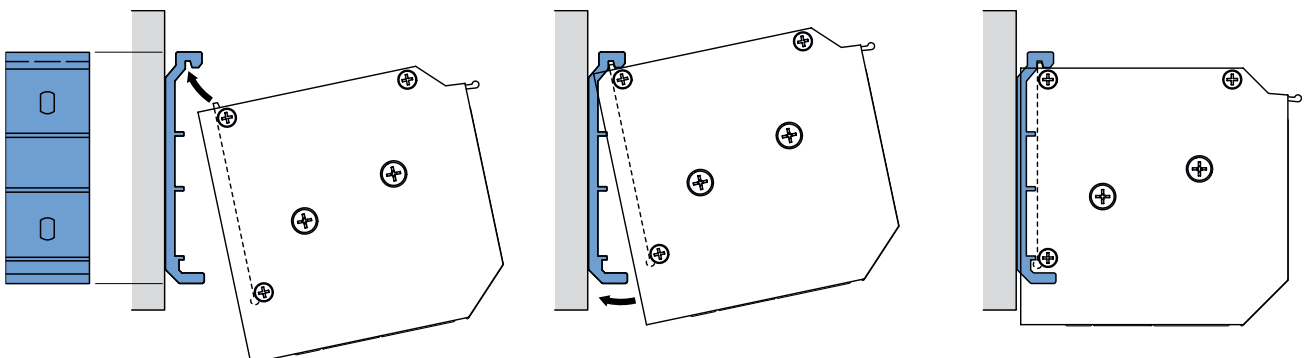
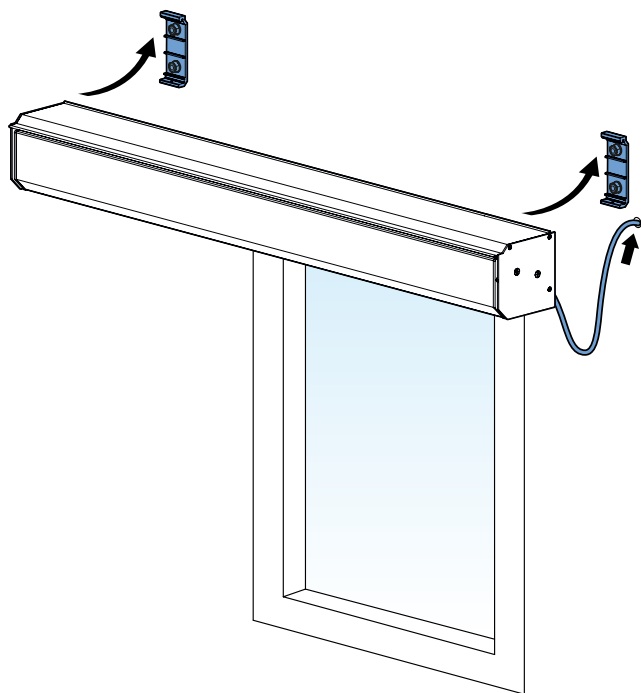


fig. 2.2 Detail wall support

2.2 Installation of the awning with inside control

1. Hang the awning in the wall supports. See figure 2.3 or electrical control or 2.4 for manual control mono inside.
2. Cable: lead the electrical cable inside through the drill lead-through hole.



Cable

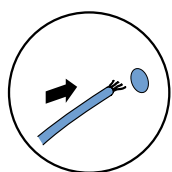


fig. 2.3 Hanging a motorized awning

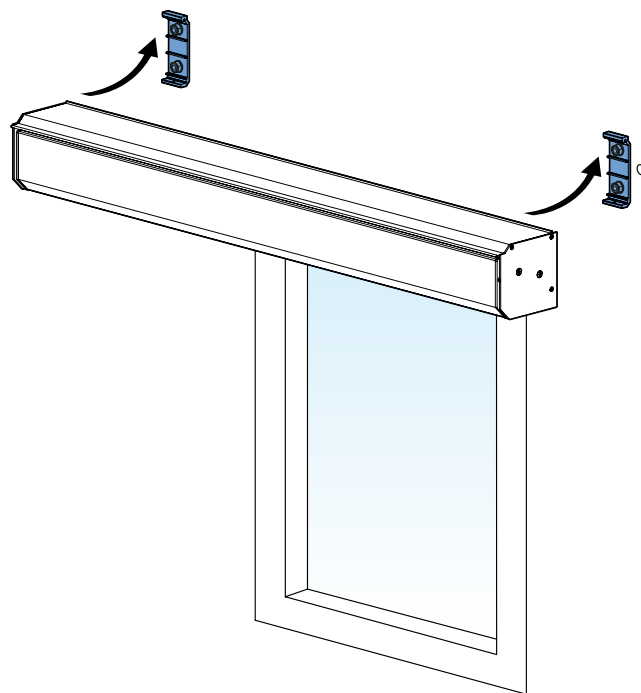


fig. 2.4 Hanging an awning with manual control mono inside

2.3 Securing of the awning

1. Secure the wall supports using the included bolts. The bolts need to be applied manually. If this is not possible, the wall supports are not aligned well! **Attention!** The awning may not be opened before the securing bolts are in place!

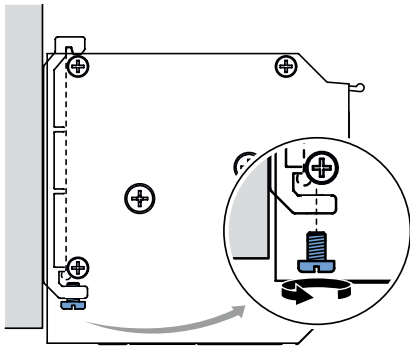
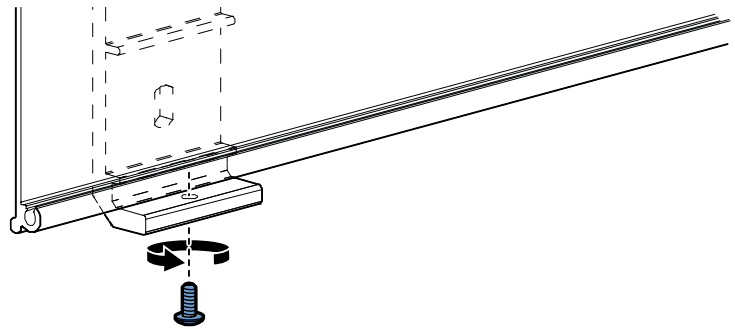


fig. 2.6 Applying the securing bolts



3. Installation of the drop-arms

3.1 Marking the holes for the drop-arms

Mark the drop-arms following the drawing below. The drop-arms need to be placed in one line. If the positions of the drop-arms are not levelled, the awning will not function well. The pictured sizes are the minimal sizes that the drop-arm needs to fall inside the drop-arm awning.

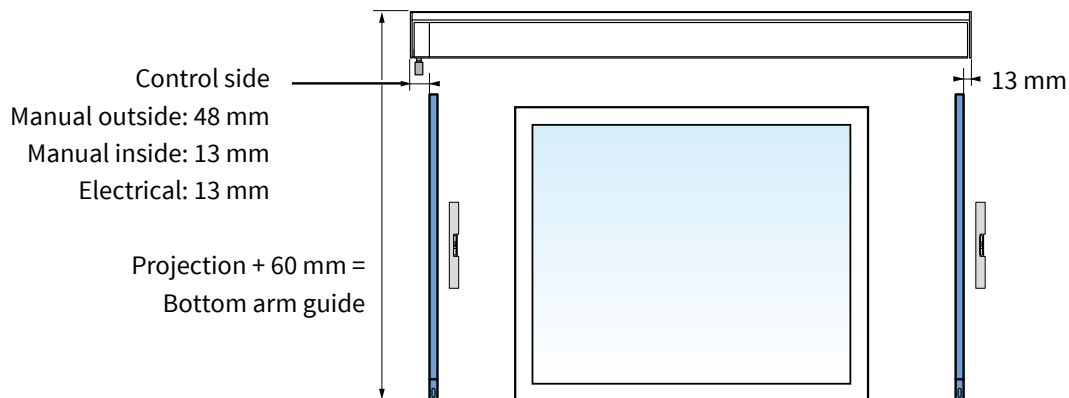


fig. 3.1 Measuring the drop-arms

3.2 Drilling the holes

Drill the installation holes. We advise to use a masonry drill if the wall is made of stone or concrete. Use matching, high quality plugs and bolts (standard A2 or for a sea climate A4). Install the drop-arm to the wall by first fixing it on the bottom side (fig 3.2).

Remove the tape from the arm (fig 3.3). Attention! The arm is under tension and will unfold immediately!

Fixate the top side (3.4).

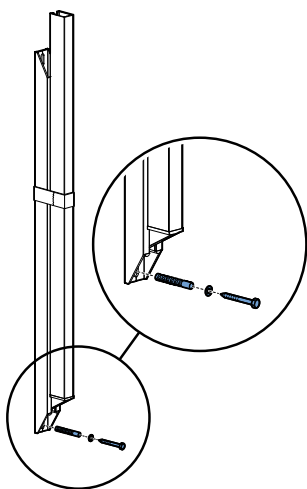


fig. 3.2 Fixate the bottom of the drop-arm

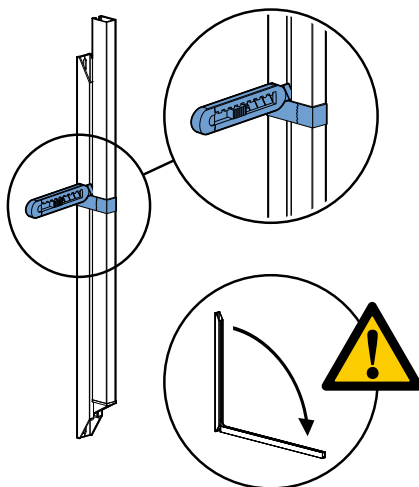


fig. 3.3 Remove the tape

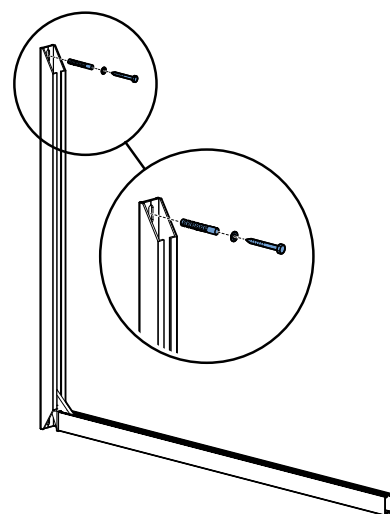


fig. 3.4 Fixate the top of the drop-arm

3.3 Setting the sheets to the arms

Slide the sheets in the ends of the arms. Make sure that the sheets are faced downwards (fig. 3.5).
Fixate the sheets with the included screws (fig. 3.6)

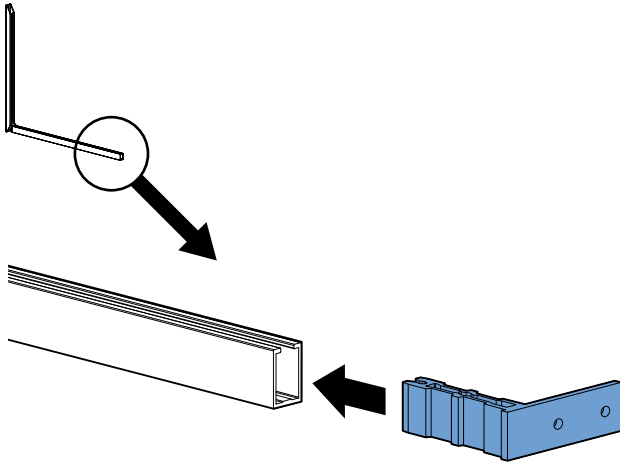


fig. 3.5 Sheet in the arms

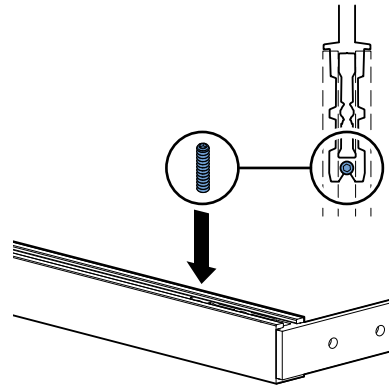


fig. 3.6 Fixating of the sheets

3.4 Fixing the arms to the front bar

Turn the drop-arm up (fig 3.7) Attention! The arm is under pressure.
Screw the drop-arm to the fixing plate in the front bar (fig. 3.8).
Repeat these steps for all arms.

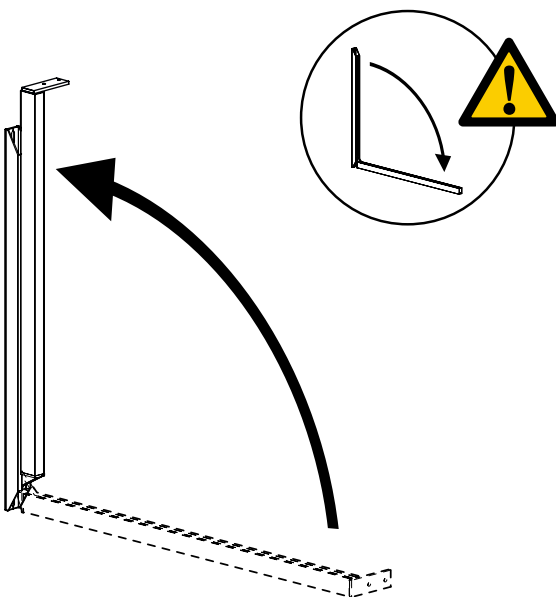


fig. 3.7 Folding back the drop-arm

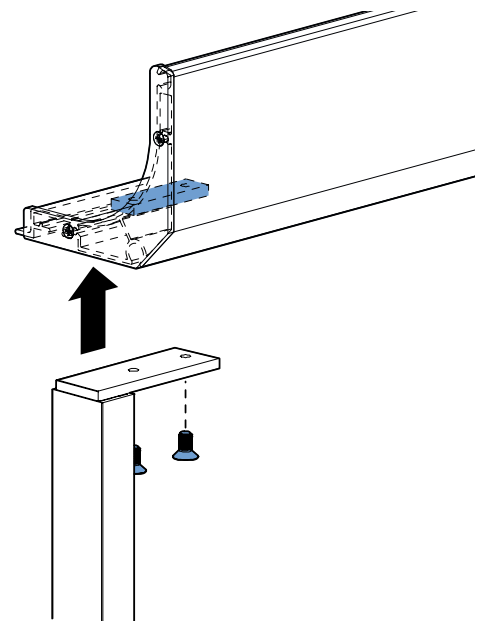
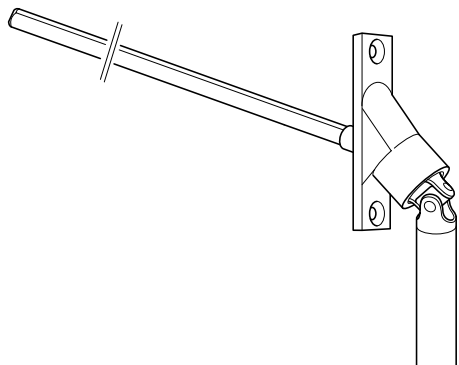
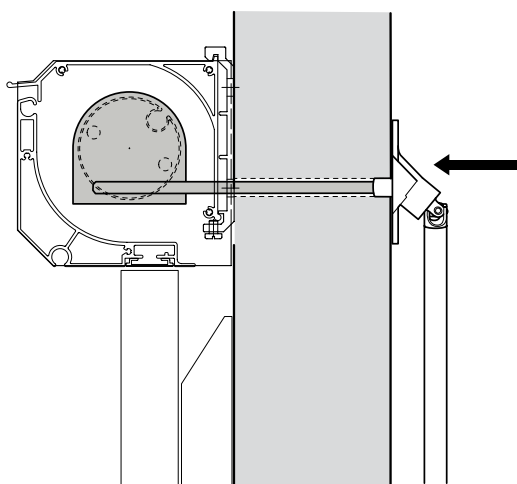


fig. 3.8 Fixating the drop-arm

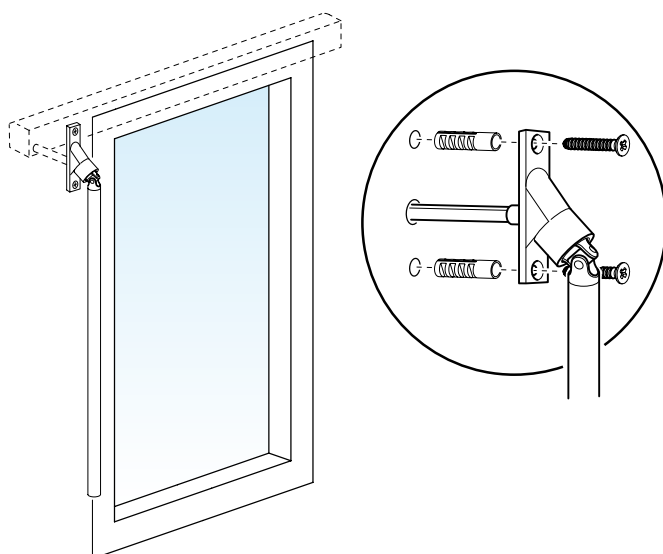
4. Installation instructions manual mono operation (inside)



1. Determine the length of the square axle and cut it to size.



2. Slide the axle through the wall into the windings of the drop-arm awning.



3. Position the knee joint and mark the drill holes on the frame or wall. Ensure that the axle can move freely through the drill hole!
4. Drill the holes.
5. Insert the plugs (optional) and fit the knee joint with two countersunk screws.

The manually operated drop-arm awning is ready for use and can now be freely operated from the inside using the crank handle.

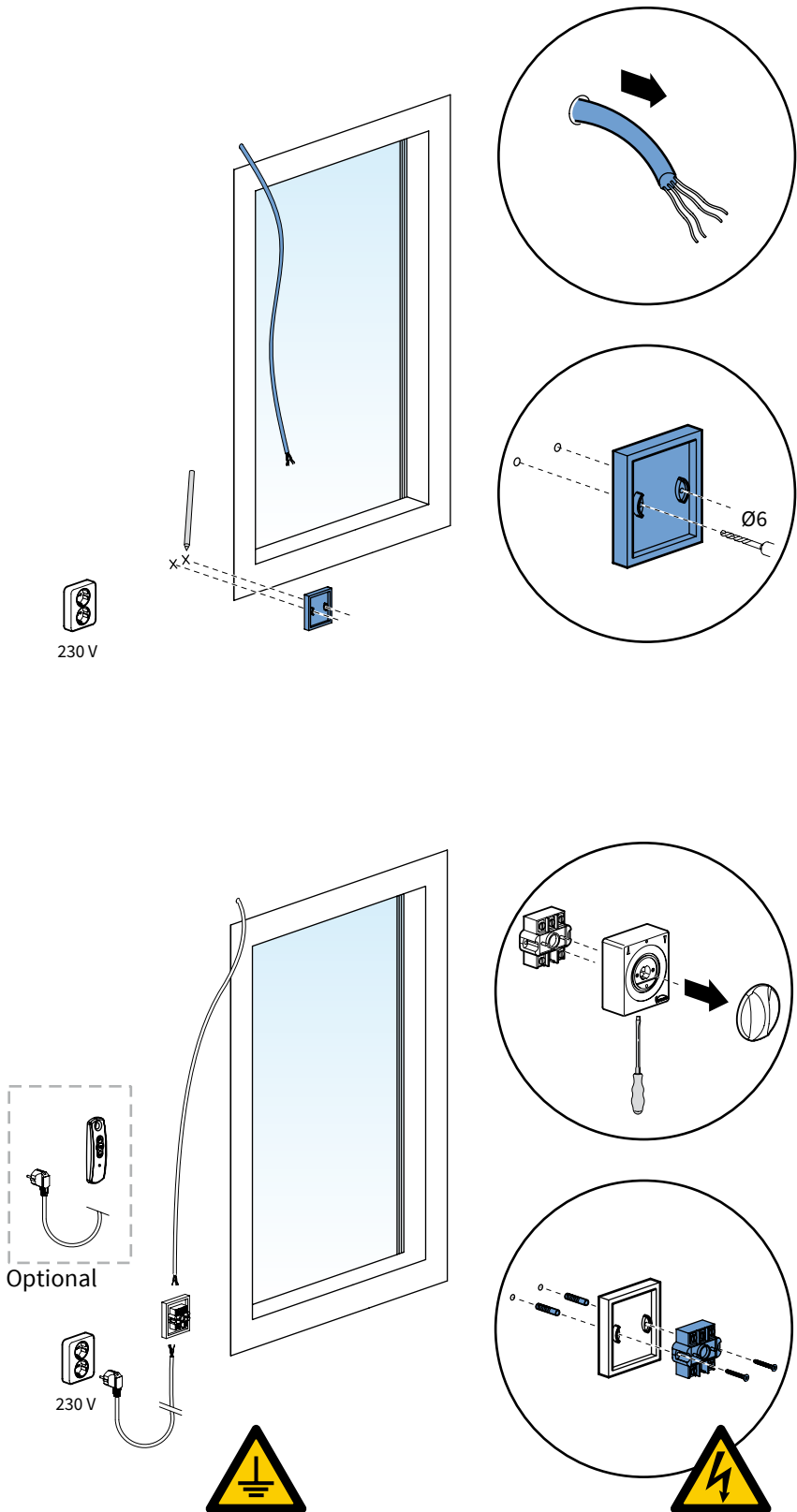
5. Installation of electrical control (inside)

1. Determine the position of the switch and mark two holes on the inside of the wall.

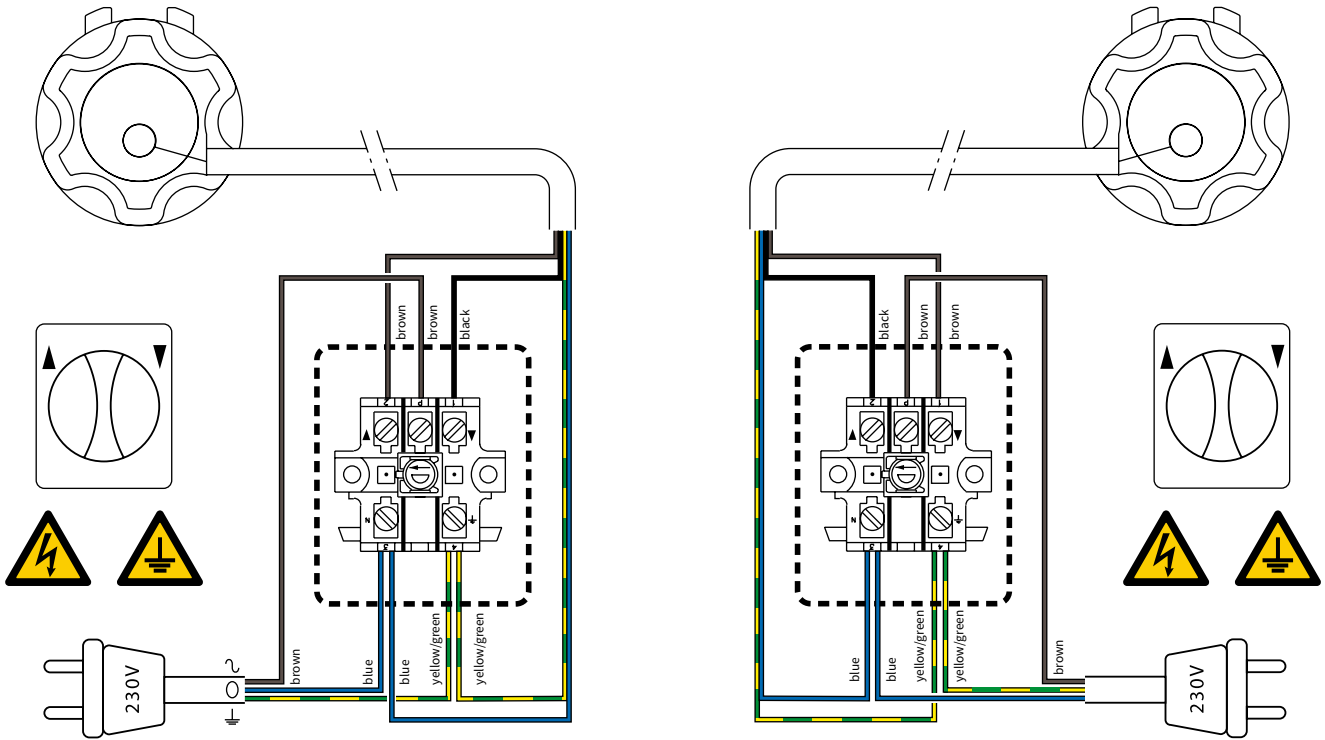
2. Drill the holes with a 6 mm drill.

3. Open the switch using a flathead screwdriver.

4. Place the plugs and install the switch using two recessed screws. Make sure that the power is switched off and without voltage!

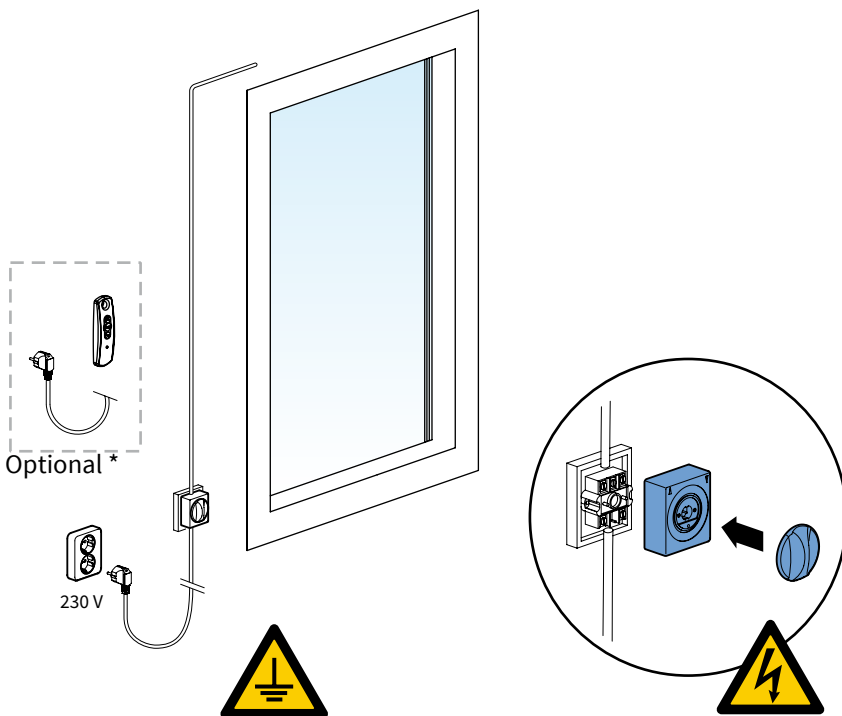


5. Connect the 4-wired cable of the motor and the 3-wired cable and plug following the scheme below.
If necessary, ask an installer for advise.



Motor left (seen from the outside)

Motor right (seen from the outside)



6. Install the switch.

When a wireless remote control is used, the 3-wired cable can be connected directly to the socket.

7. Put the plug in the socket and turn the power on.

The drop-arm awning is now ready.

* See the included SOMFY instruction for the setting of the remote control.

6. Setting of the front bar

Make sure that the front bar is located at an equal distance from the cap over the whole width (fig. 7.1). Set the front bar by loosening the bolts of the drop-arm in one turn (fig 7.2). After that, the drop-arm can slide up and down (fig. 7.3). If the front bar is set well, you can fix the bolts of the drop-arm (fig 7.4).

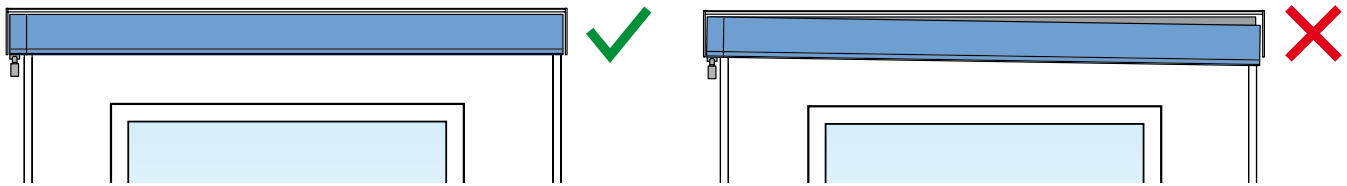


fig. 6.1 Examples of settings

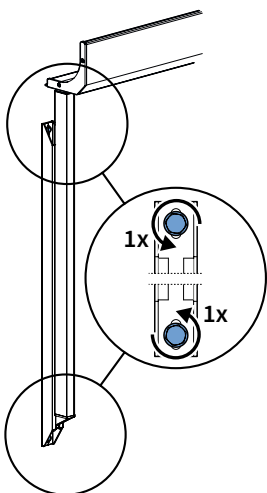


fig. 6.2 Loosening the bolts

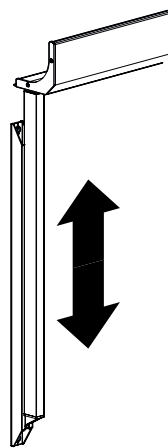


fig. 6.3 Setting of the front bar

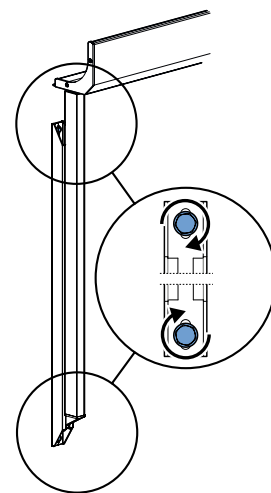


fig. 6.4 Fixing of the bolts

7. Valance

7.1 Installation of the valance

Follow the steps below to install the valance. See figure 7.1.

1. Remove the cap of the front bar at one side. The fabric tendon is hidden in the front bar.
2. Slide the fabric tendon in the valance at the open side.
3. Slide the valance carefully in the designated recess. Guide the valance to prevent ripping.
4. Install the cap.

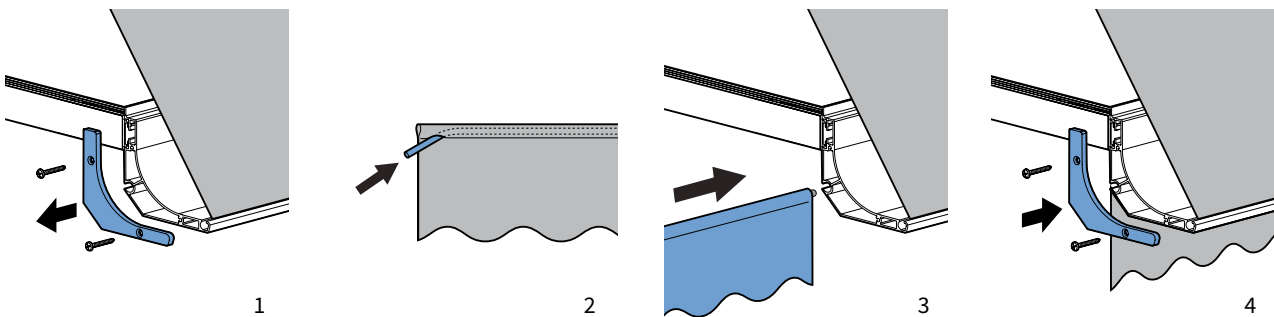


fig. 7.1 Installation of the valance

User information

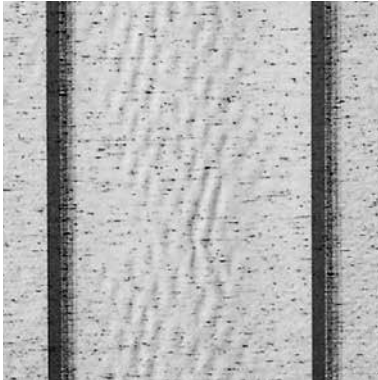
A high quality cloth is integrated into your chosen screen. In view of optimal quality we have chosen a high technology production process in which every step of the production is strictly selected. By way of automation, permanent checks, laboratory tests and finely detailed after-care, nothing is left to chance. This allows us to guarantee the resistance as well as the strength and durability of the colours of your screen for many years to come.

Starting with a completely pigmented poly-acryl material, which gives it its exceptional quality, our screens have the advantage of total monitoring during the production process. In spite of all this there may be small irregularities

in your screen that are difficult to detect and impossible to avoid. They are inherent in all technical materials but do not reduce the technical presentation and durability of your screen.

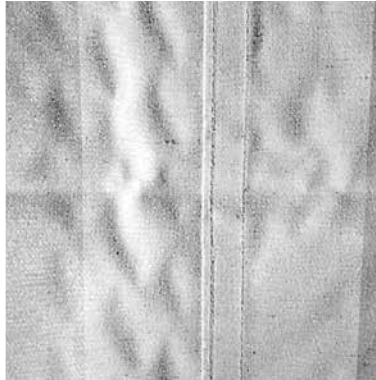
Waffling, chalk stripes, small pleats next to the seam or in the middle of the screen or nap can appear. The retailer cannot be held responsible for these irregularities.

Cable motor: if broken off, cannot be guaranteed.



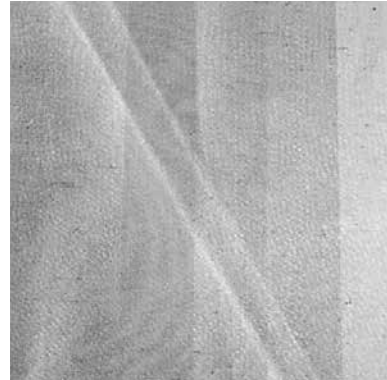
Wave forming or wrinkle forming

All technical materials can display these symptoms in the middle of a canvas. They are especially noticeable with backlight through the difference in light reflection.



Wave forming

Next to the seams, caused by the unavoidable tension difference in rolling up.



Fold stripes/ chalk stripes

A fold caused during the manufacture, can show a darker stripe by light reflection. This is mostly noticeable in lighter coloured blinds.

These small irregularities have no effect whatsoever on the quality of the screen and do not constitute the screen being replaced. However do inform us if you notice any irregularities in colour fastness, decay or resistance, in fact in any of the basic characteristics of our 2-year guarantee.



www.verano.eu