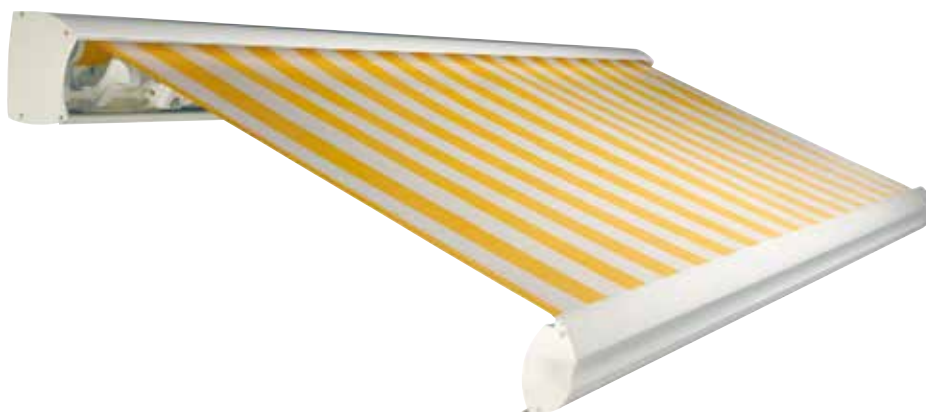


## Installation manual

Awning  
V360 St. Tropez

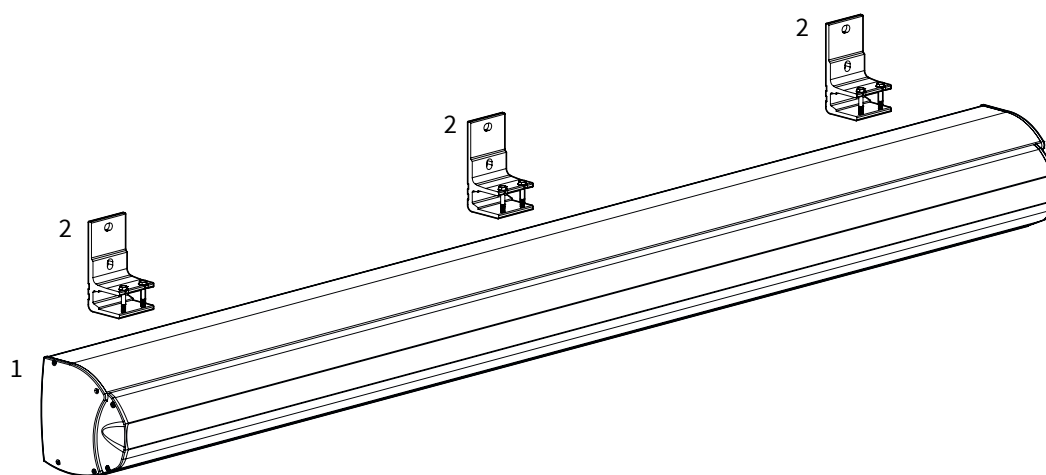


**Verano**<sup>®</sup>



## Content

1. Awning
2. Wall supports
3. Control
  - a) Manual controle: Crank handle
  - b) Electrical: Switch and plug
  - c) Remote controlled: Remote control and plug



\* The displayed awning is the electrical version.

## Necessary tools

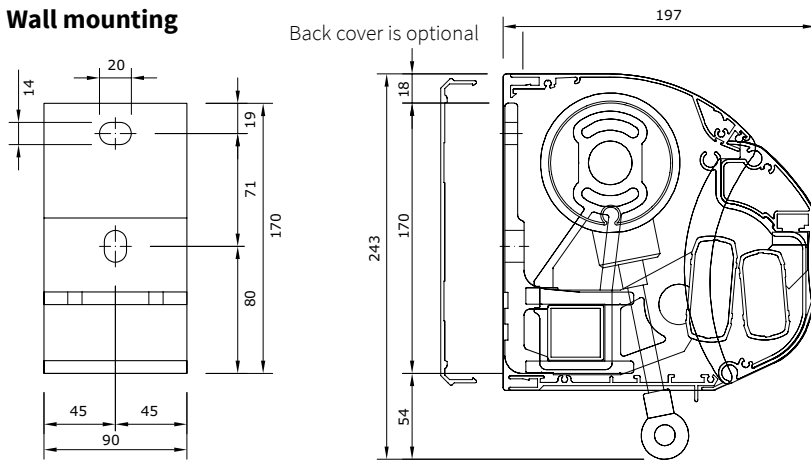
- Drilling machine
- Masonry drill 10/14 mm
- Crosshead screwdriver
- Socket wrench 10/13/17
- Allen keyset
- Tapeline
- Level
- Pencil

In case of electrical control:

- Nippers
- Flathead screwdriver

# Specifications V360 St. Tropez

## Wall mounting

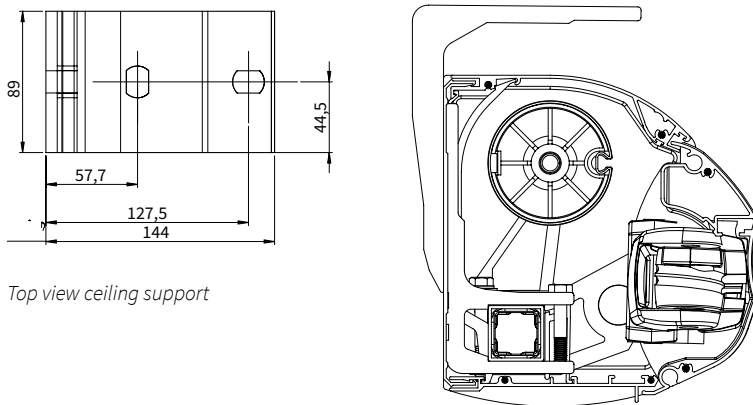


Front view wall support

Awning section

Sizes in mm

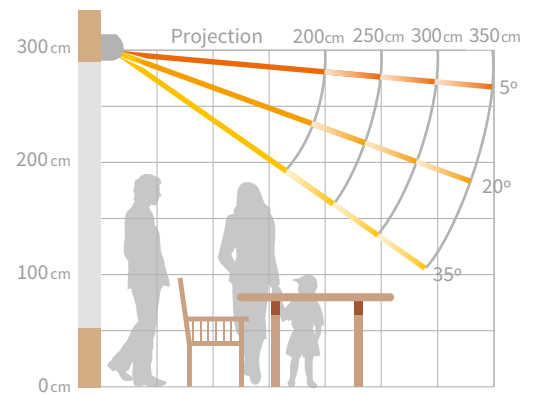
## Ceiling mounting



Top view ceiling support

Awning section

## Projection



## Minimal width per fabric projection

Projection [mm]		Manual control [mm]		Electrical control [mm]	
1500	2-Armen	2060		2040	
2000	2-Armen	2620		2610	
2500	2-Armen	2850		2800	
3000	2-Armen	3380		3330	
3500	2-Armen	3870		3820	
2500	3-Armen	4250		4200	
3000	3-Armen	5050		5000	
3500	3-Armen	5780		5730	
2500	4-Armen			5600	
3000	4-Armen			6660	
3500	4-Armen			7640	

## Wall support scheme

Fabric type	Fabric length [mm]	Projection [mm]	Width [mm]										Required number of wall supports					
			2500	3000	3500	4000	4500	5000	5500	6000	6500	7000	8000	9000	10000	11000	12000	
Dickson	1700	1500	2	2	2	3	3	3	4	4	4	5	5	6	6	7	8	
Dickson	2200	2000		2	2	3	3	3	4	4	5	5	6	6	7	7	8	
Dickson	2700	2500		2	2	3	3	4	4	4	5	5	6	7	7	7	8	
Dickson	3200	3000			3	3	4	4	4	5	5	5	6	7	7	8	8	
Dickson	3500	3500				4	4	4	4	5	5	6	7	7	8	8	8	

## Important before mounting

### General warning

Installation of the Verano® product yourself is at your own risk. Only use this instruction as a tool and for the installation of this specific Verano® product. If you cannot install the product yourself, you can always opt for professional installation. The installation team of Verano® is pleased to help you.

### Be careful for damages

Don't use a knife or any other sharp object when opening the packing. This may cause damage to the content of the package. Put the content of the package on a soft surface. Be careful when drilling, falling drill cuttings can cause damages.

### Check that the window frame or façade is flat.

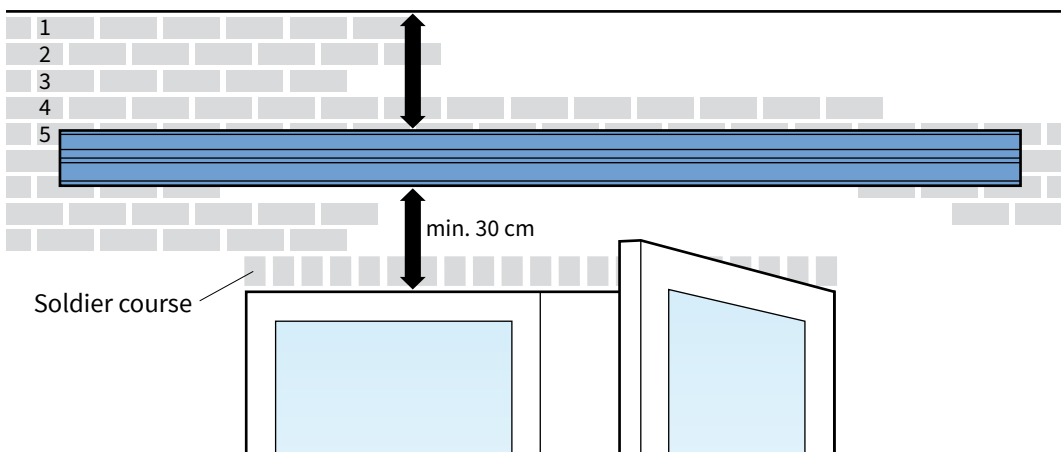
### Check the installation height

Make sure that you have enough installation height on your façade to place the awning. Above the wall support (mounting support) have to be 5 rows of stones to prevent too much pressure on the façade. This is not often the case with a house-extension. It is recommended to drill the installation hole in the fifth stone (minimum) measured from the top.

### Wall strips

When there are fewer than five rows of stones above the wall support, wall strips have to be used. These strips divide the forces over a bigger wall surface when the walls are too weak. View page 5 for extensive instructions.

**Attention!** Make sure there is no installation point in the soldier course. These are often half stones.



### Patio door

When the awning is fully open, it hangs down under the angle. Therefore we advise to keep at least 30 centimeters between the window frame and the awning in a situation with patio doors to the outside. When possible, it is advisable to hang the awning higher than 30 centimeters above the window frame.

# 1. Installation of the wall supports

## 1.1 Marking the holes

View the stickers on the back side of the awning. See figure 1.1.

The wall supports need to be placed where the stickers are located.

The remaining wall supports should be equally divided between the two outer supports.

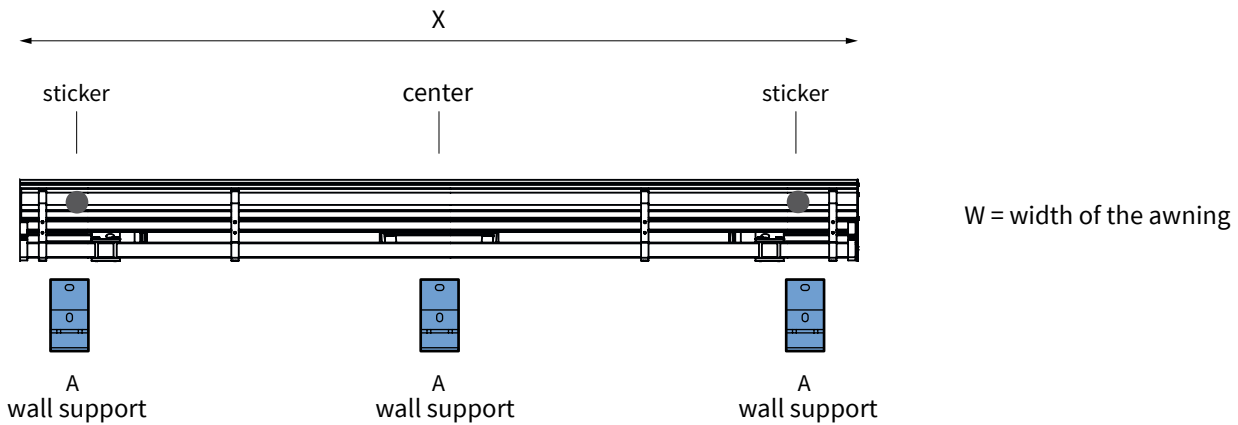


fig. 1.1 Location stickers

Mark the drill holes of the wall supports (A) and, if necessary, the center support (B) on the wall. The holes need to be levelled aligned both horizontal and vertical. See figure 1.2.

Make sure that at least two of the four installation holes per wall supports are located in the middle of the stone.

See figure 1.3. If necessary, use an alignment cord.

When the back cover is used you must also mark the wall supports on the back cover. Use the same measurements between the wall supports as you used on the wall.

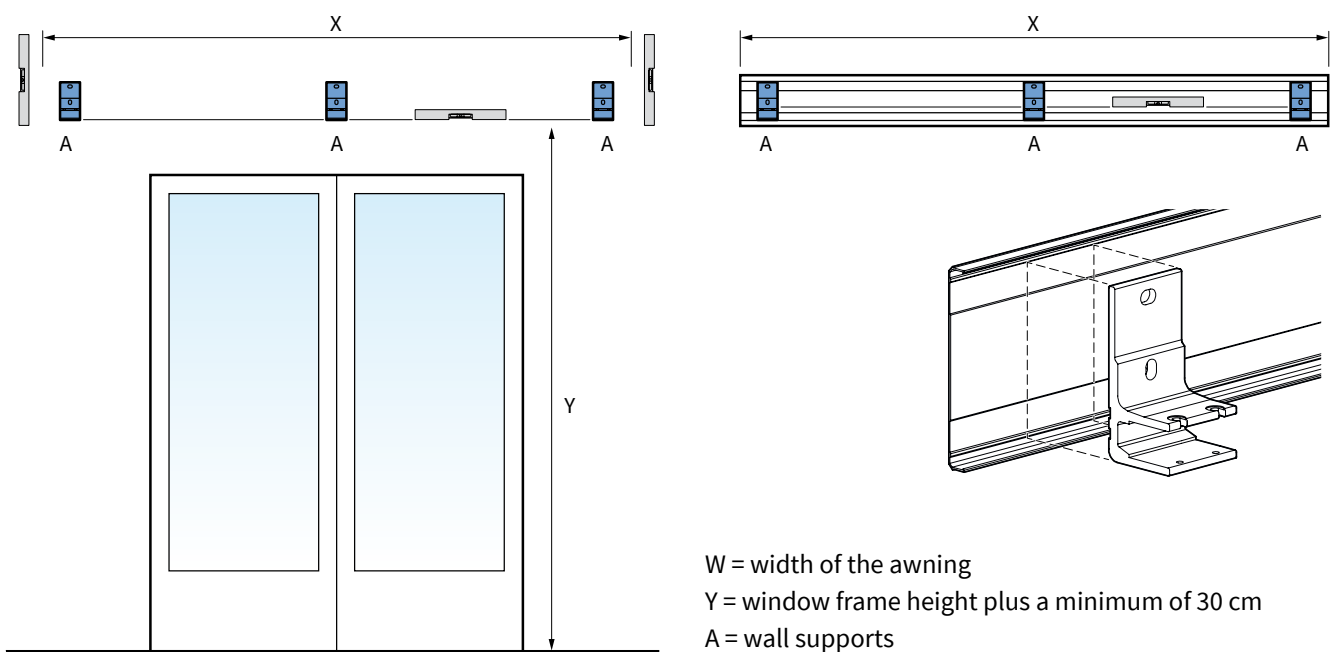


fig. 1.2 Placing the wall supports

W = width of the awning  
 Y = window frame height plus a minimum of 30 cm  
 A = wall supports

## 1.2 Drilling the holes

Drill the installation holes. Our advise is to drill with a 14 millimeter masonry drill in case of a wall made of concrete or stone. Use matching plugs and bolts of high quality. Install the wall supports (A) and, if necessary, the center support(s) (B) and tighten the bolts. See figure 1.3a.

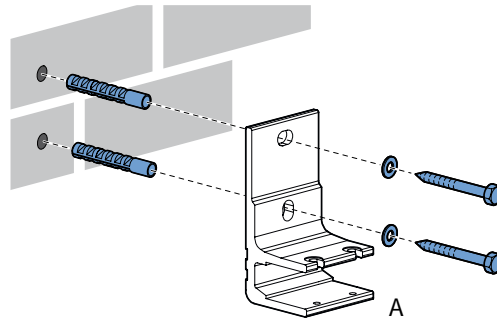


fig. 1.3a Installation of wall support

When the back cover is used, also drill the holes in the back cover. Install the back cover together with the wall supports (A). See figure 1.3b.

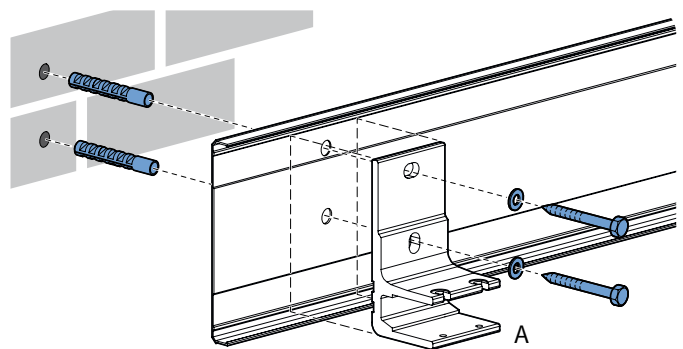


fig. 1.3b Installation of back cover and wall support

## 1.3 Drilling the control hole

If you want to connect your wall control on the inside, measure the place of the control hole carefully. This depends on your personal preference and situation.

Drill inwards with a 10 millimeter drill. When drilling through the wall, it is advisable to place a shelf against the inner side of the wall to prevent damages to the wall.

## 1.4 Extra wall support weak wall

If there are less than five rows of stones above the installation location, extra wall supports are needed.

The extra wall supports divide the power over a larger wall surface. This way the wall can carry more weight.

See figure 1.4.

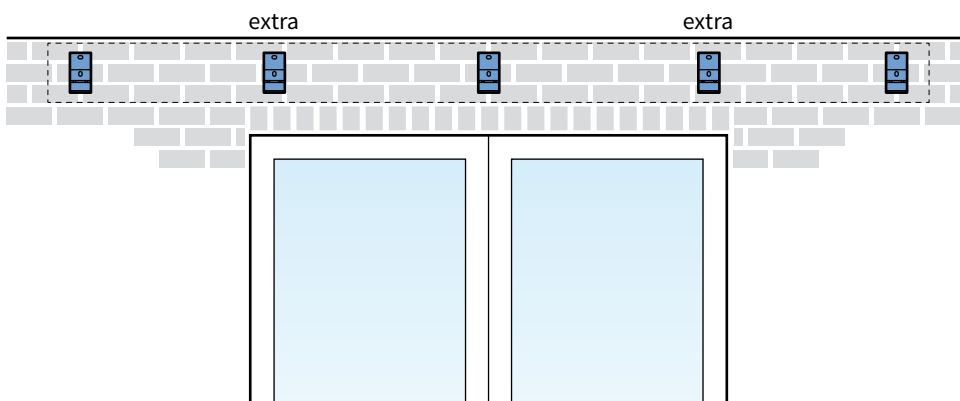


fig. 1.4 Applying extra wall supports

## 2. Installation of the awning

### 2.1 Placing the awning

Hang the awning in the wall supports. See figure 2.1 and 2.2.

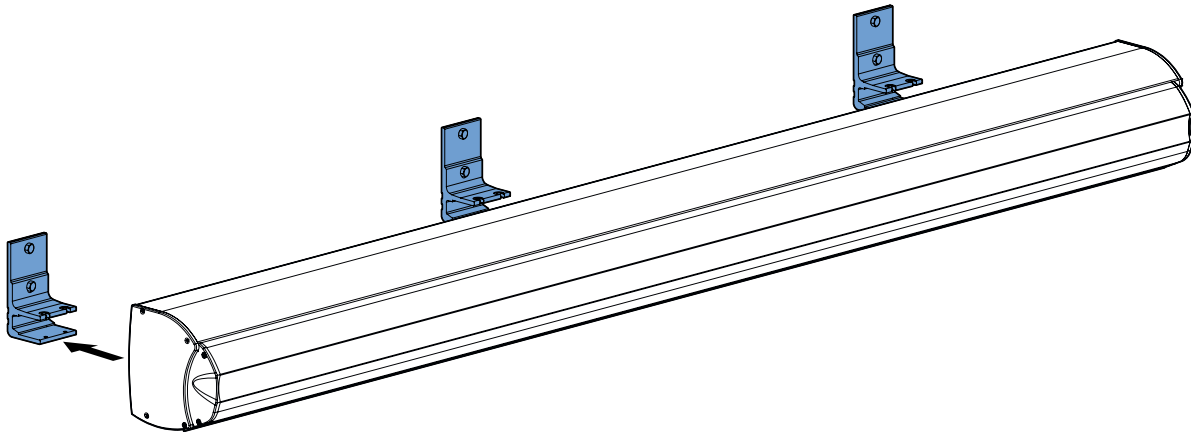


fig. 2.1 Placing the awning

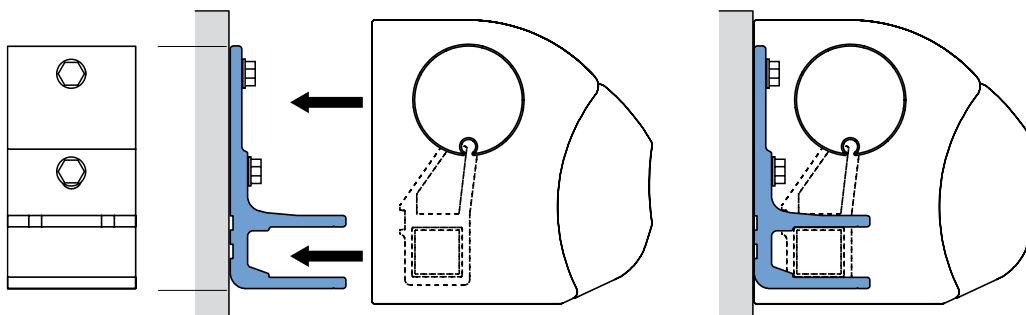


fig. 2.2 Detail wall support

### 2.2 Securing the awning

Lock the wall supports by using the included locking bolts. See figure 2.3.

**Attention!** The awning may not be opened before the locking bolts are applied!

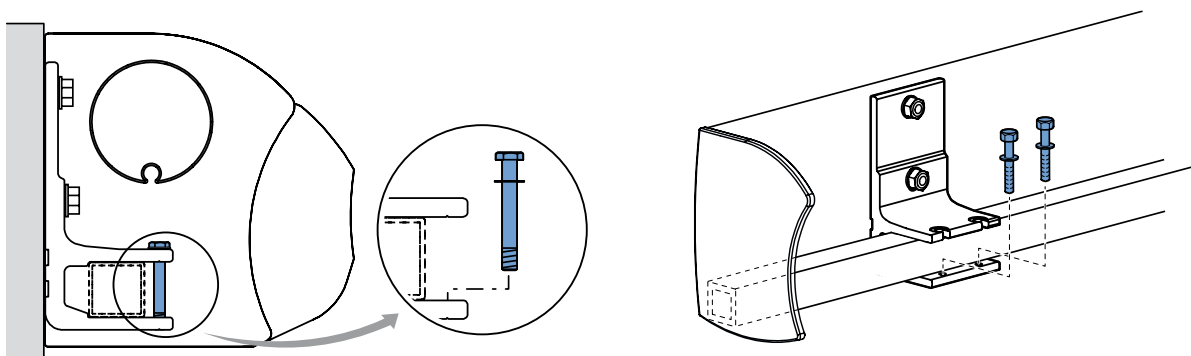


fig. 2.3 Applying the locking bolts



## 3. Electrical wall control

### 3.1 Connecting the wall control

1. Check the position of the motor (left or right), seen from the outside!
2. If you have inside control, first guide the cable through the hole in the wall you drilled before.
3. Connect the four-wired cord of the motor and the three-wired cord with plug following the scheme below.
4. Put the plug in the power point.
5. The awning is now connected. Before you continue the installation, check if the awning rolls out correctly.

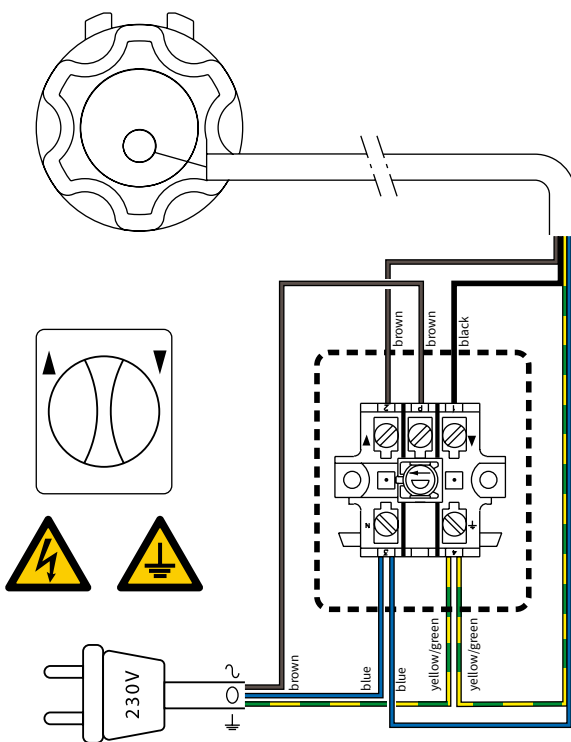


fig. 3.1 Motor left (seen from the outside)

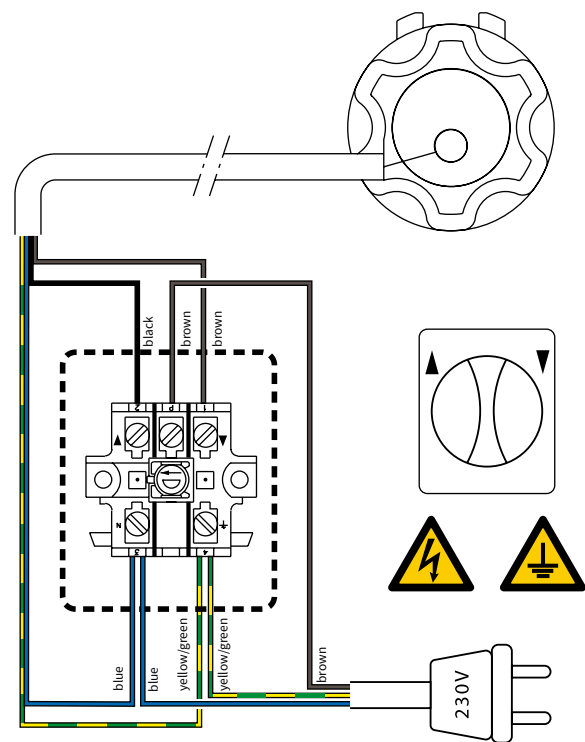


fig. 3.2 Motor right (seen from the outside)

### TIP! Sealing the hole

In case of an electrical wire to the inside, we advise to seal the hole where the wire comes in. This to prevent moisture from running inwards. Attention! Do this both on the in- and outside.

### 3.2 Standard factory setting

The motor control is set standardly.

See the included [manual of the motor](#) and the possible [remote control](#).

## 4. Remote control

### 4.1 Connecting the remote control

1. If the power point is located on the inside, first guide the wire through the hole in the wall you drilled before.
2. Install the plug according to the color scheme below:

Brown	220V power supply
Blue	220V power supply
Yellow/green	grounding
Black	(do not connect)
White	(do not connect)
Orange	(do not connect)
3. Put the plug in the power point.
4. The awning is now connected. Before you continue the installation, check if the awning rolls out correctly by using the remote control.

#### **TIP! Sealing the hole**

In case of an electrical wire to the inside, we advise to seal the hole where the wire comes in. This to prevent moisture from running inwards. Attention! Do this both on the in- and outside.

## 5. Pitch

### 5.1 Standard factory setting

The passage height for the front bar is standard set between 1,80 and 1,90 meter at an installation height of 2,70 meter.

### 5.2 Setting the pitch

If you want to set the awning different from the standard factory setting, please follow the steps below:

1. Unroll the awning completely. The arm-connections are located left and right at the beginning of the folding arms (on the side of the box). See figure 5.1.
2. Loosen nut #1 with one stroke (wrench 17). Lift the front bar during the twisting, this way the set bolt moves easily. See figure 5.2.
3. Completely turn out hexagon bolt #2. Then turn allen bolt #3 for the adjustment.  
Left = front bar moves up, right = front bar moves down.
4. Repeat step 3 on the other side until the front bar is level.
5. When the front bar is at the desired height, put allen bolt #2 back in place and tighten nut #1.

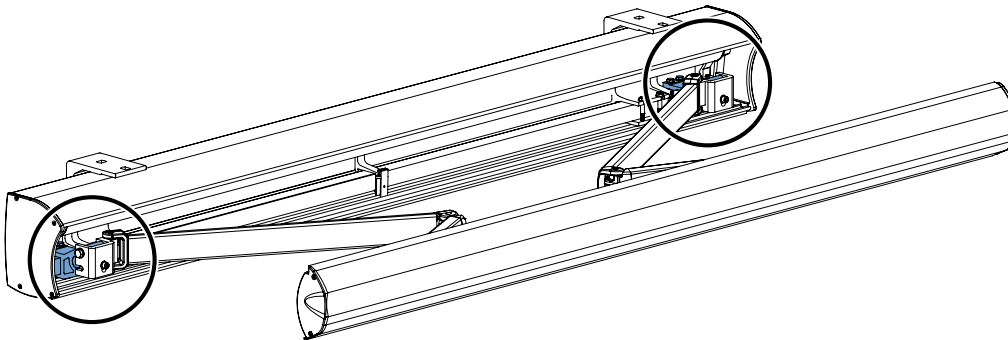


fig. 5.1 Location arm-connections

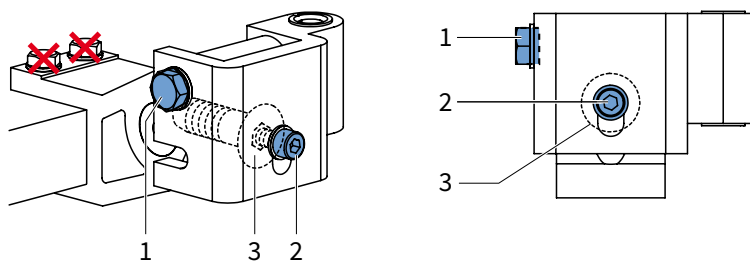


fig. 5.2 Detail left arm-connection

**Attention!** Never touch the nuts with a red cross.

## 6. Front bar

### 6.1 Setting the front bar

The right position is reached if the front bar connects perfectly to the top- and bottom cover when the awning is closed. See figure 6.1.

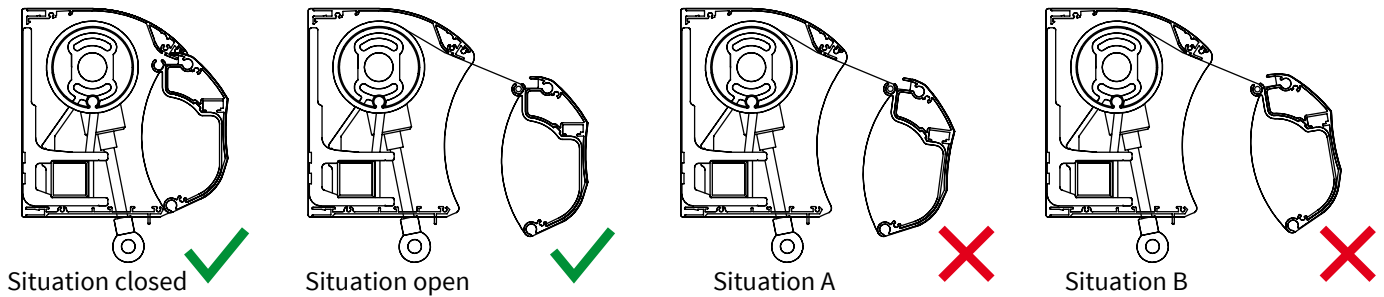


fig. 6.1 Position front bar

Follow the steps below if the opening between the cap and the front bar is to big:

1. Unroll the awning about half a meter.
2. The arm-connections are located at the end of the folding arms (side of the front bar). See figure 6.2.
3. In case of situation A; first unscrew the top allen a bit, after that screw the bottom allen a bit.  
In case of situation B; first unscrew the bottom allen a bit, after that screw the top allen a bit. See figure 6.1 and 6.3.
4. Put the front bar in the desired position.
5. Tighten the allen screws.
6. Pull in the awning.

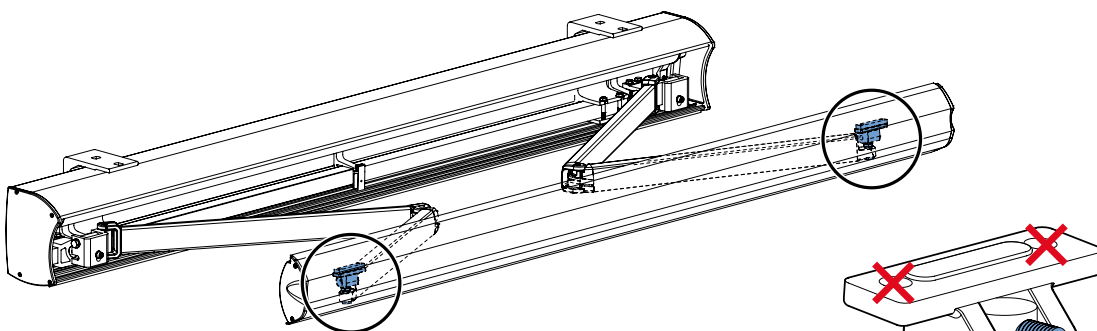


fig. 6.2 Location arm-connections

**Attention!** Make sure that the fabric rolls up on the top of the roller tube.

fig. 6.3 Detail arm-connection

## 7. Valance

### 7.1 Installation of the valance

Follow the steps below for the installation of the valance. See figure 6.1.

1. Unscrew the cover of the front bar on one side. The fabric tendon is locked in the front bar.
2. Slide the fabric tendon in the valance at the side where the fabric is open.
3. Slide the valance carefully in the intended recess. Make sure that you guide the valance well to prevent ripping of the fabric!
4. Mount the cover on the front bar.

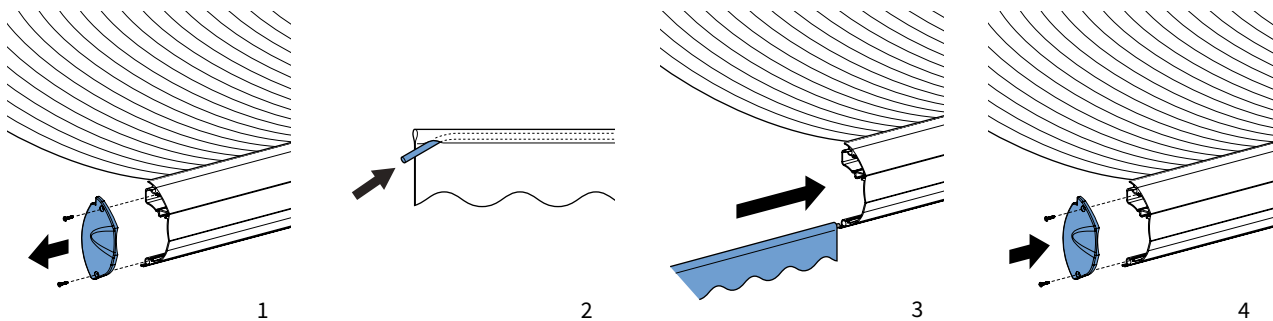


fig. 7.1 Placing the valance

## 8. Ceiling mounting

### 8.1 Mounting the ceiling brackets

The awning can also be mounted to the ceiling using ceiling supports (view figure 9.1).

1. Mount the wall supports to the ceiling supports.
2. Measure the ceiling supports on the ceiling. Please mind the placing of the wall supports to the ceiling supports and width size X in figure 1.1.
3. Mount the ceiling supports including the wall supports to the ceiling. Always use two bolts!
4. Follow the instructions from page four in this instruction manual.

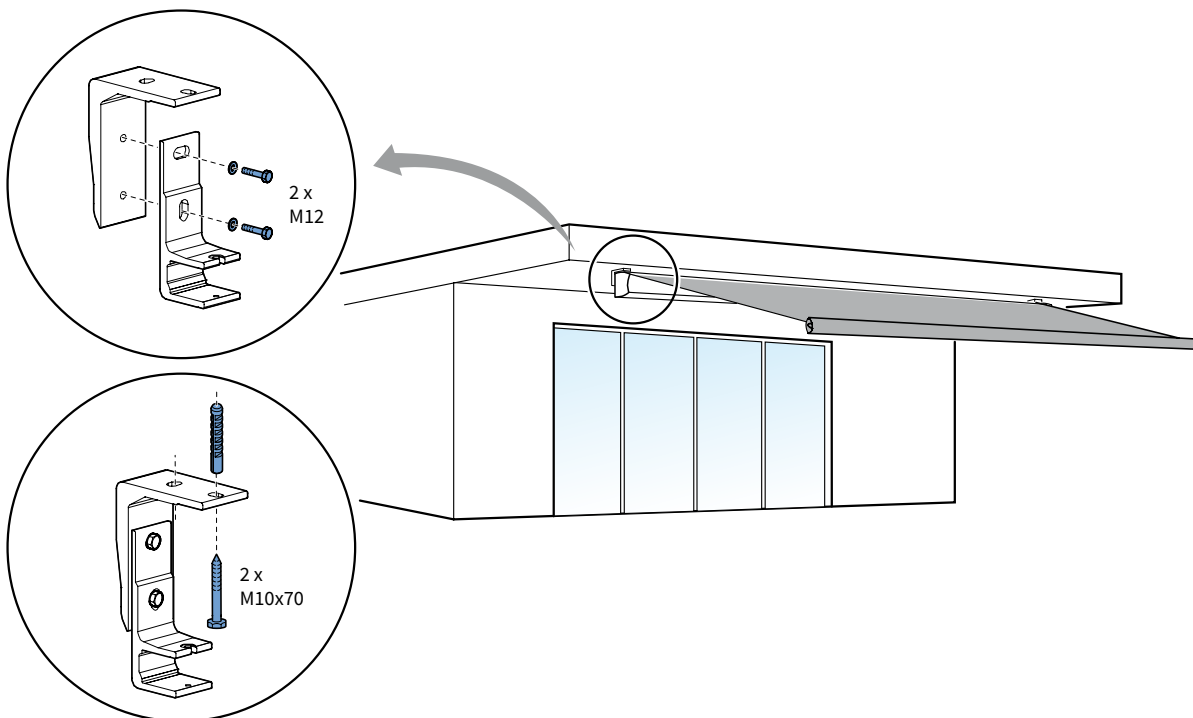


fig. 8.1 Ceiling mounting

## User information

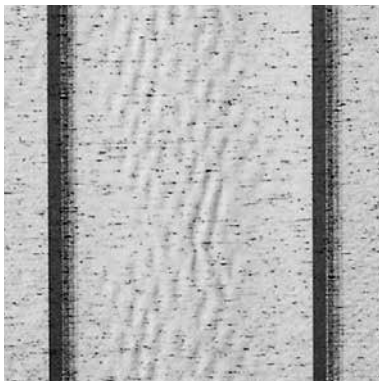
A high quality cloth is integrated into your chosen screen. In view of optimal quality we have chosen a high technology production process in which every step of the production is strictly selected. By way of automation, permanent checks, laboratory tests and finely detailed after-care, nothing is left to chance. This allows us to guarantee the resistance as well as the strength and durability of the colours of your screen for many years to come.

Starting with a completely pigmented poly-acryl material, which gives it its exceptional quality, our screens have the advantage of total monitoring during the production process. In spite of all this there may be small irregularities

in your screen that are difficult to detect and impossible to avoid. They are inherent in all technical materials but do not reduce the technical presentation and durability of your screen.

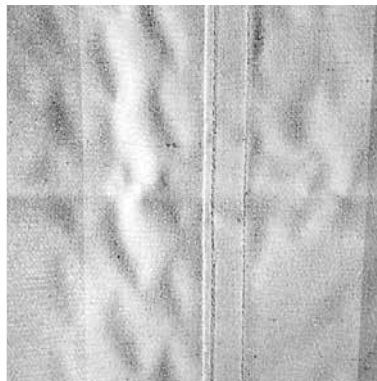
Waffling, chalk stripes, small pleats next to the seam or in the middle of the screen or nap can appear. The retailer cannot be held responsible for these irregularities.

Cable motor: if broken off, cannot be guaranteed.



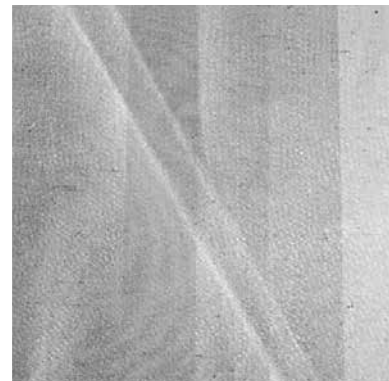
### **Wave forming or wrinkle forming**

All technical materials can display these symptoms in the middle of a canvas. They are especially noticeable with backlight through the difference in light reflection.



### **Wave forming**

Next to the seams, caused by the unavoidable tension difference in rolling up.



### **Fold stripes/ chalk stripes**

A fold caused during the manufacture, can show a darker stripe by light reflection. This is mostly noticeable in lighter coloured blinds.

These small irregularities have no effect whatsoever on the quality of the screen and do not constitute the screen being replaced. However do inform us if you notice any irregularities in colour fastness, decay or resistance, in fact in any of the basic characteristics of our 2-year guarantee.



[www.verano.eu](http://www.verano.eu)