

Installation manual

Veranda sun protection
V612 Hamar



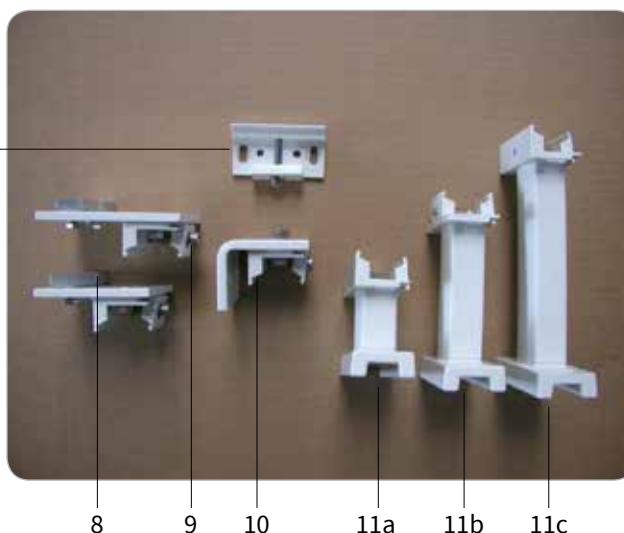
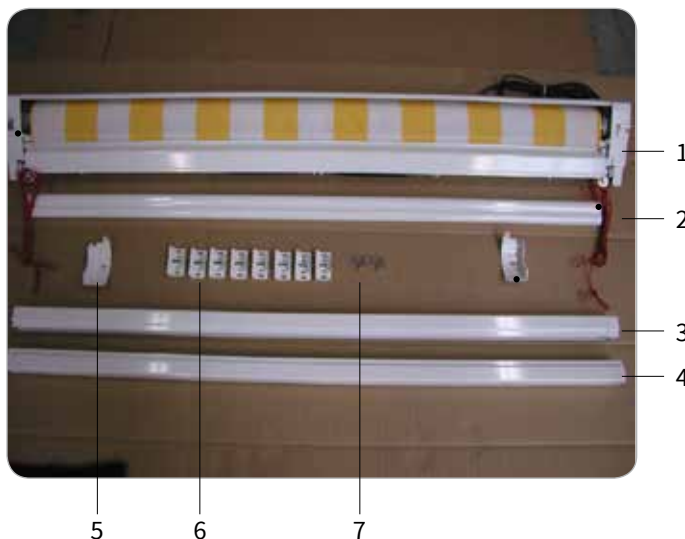
Verano[®]

Package content

Standard version including:

1. Veranda sun protection V612 Hamar
2. Cover profile
3. Guide rail left
4. Guide rail right
5. Covers (2x)
6. Rail holders (standard installation)*
7. Installation brackets for the boxing (2x)
8. Extended installation bracket, size 8 including rail holder*
9. Extended installation bracket, size 10 including rail holder*
10. Wall installation bracket including rail holder*
11. Installation feet including rail holder*
 - a Size 8
 - b Size 13
 - c Size 18

*Depending on width and projection.



Necessary tools

- Drilling machine
- Drill (depending on the soil)
- Wrench (10)
- Crosshead screwdriver
- Allen keys (3, 5, 6)
- Ladder/scaffolding
- Tapeline
- Level
- Directive
- Wide spatula (for disassembly of the cover profile)
- Pencil
- Installation manual

Important before mounting

General warning

Mounting the Verano® product yourself is at your own risk. Only use this instruction as a tool and for the mounting of this specific Verano® product. If you cannot mount the product yourself, you can always opt for professional mounting. The mounting team of Verano® is pleased to help you.

Be careful for damages

Don't use a knife or any other sharp object when opening the packing. This may cause damage to the content of the package. Put the content of the package on a soft surface. Be careful when drilling, falling drill cuttings can cause damages.

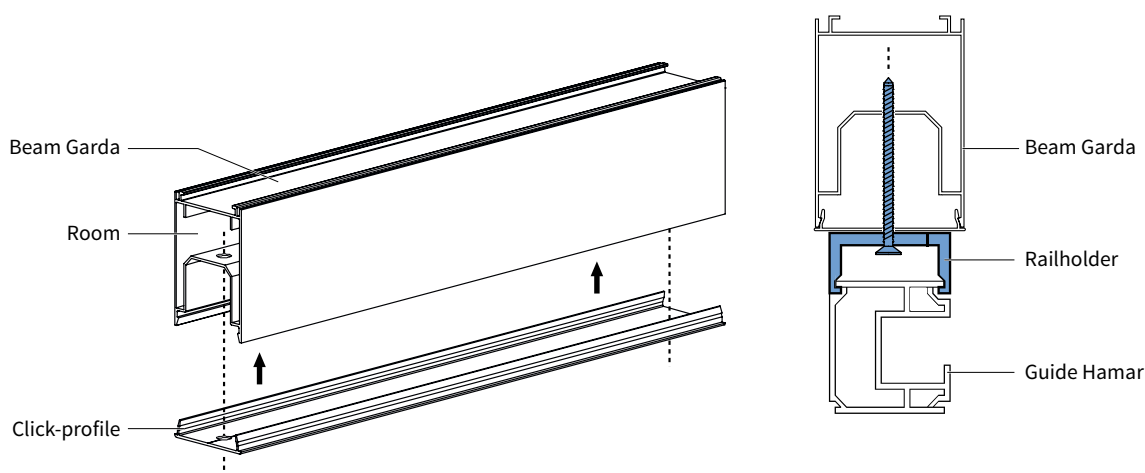
The installation tools are not included with the delivery.

If the sun protection below the veranda needs to be pulled up with cables, remove the system for the package and fasten the transportation cables so that the weight is divided and the system hangs horizontal.

Attention!

V612-Hamar veranda sun protection in combination with the V910-Garda veranda

If the V612-Hamar veranda sun protection is installed on the lower side of the V910-Garda veranda, long fixating screws need to be used so that the fixation comes in the 'chamber' of the profile and not only in the click profile of the beam. Fixating only the click profile gives not enough firmness. The cover/click profile will be pulled out of the beam due to the weight of the Hamar! See the picture below.



Specifications

Sizes in mm

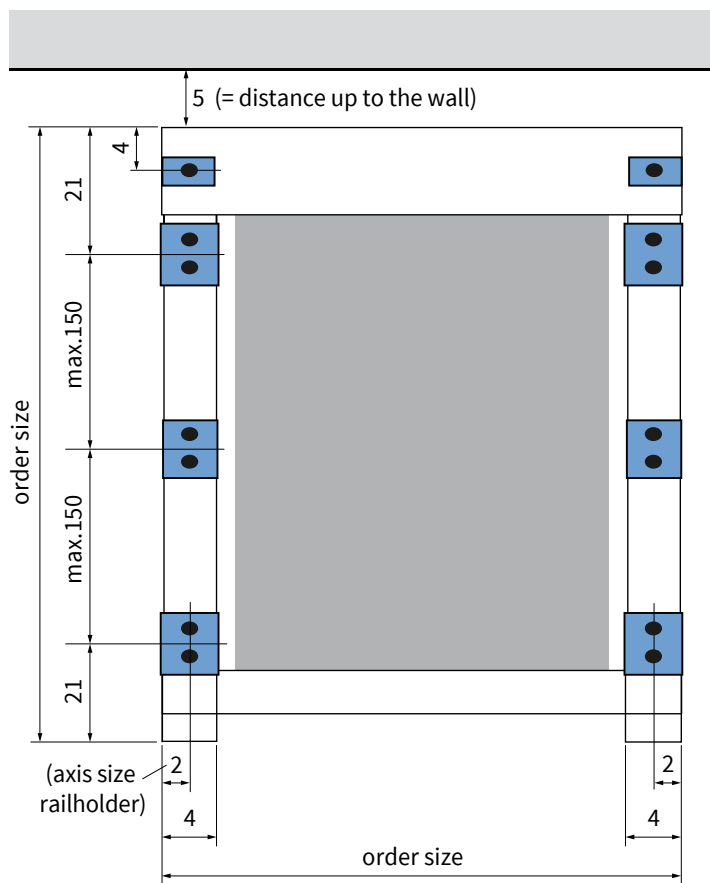


Fig. 1 Upper side view veranda sun protection

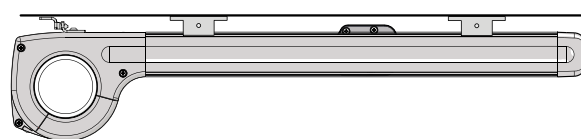


Fig. 2 Side view veranda sun protection

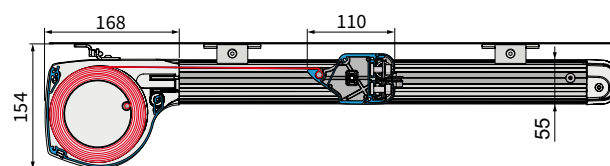
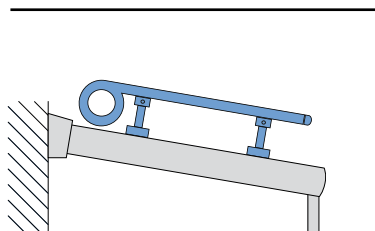
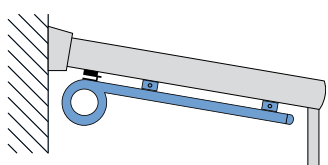


Fig. 3 Sectional view veranda sun protection

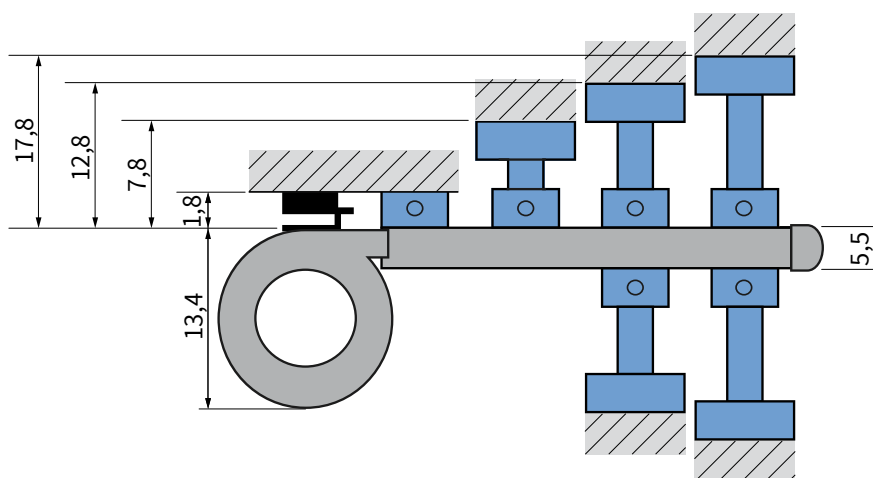
Installation below the roof



Installation above the roof

Installation foot size :

8 13 18



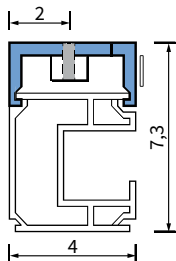
Installation foot size :

13 18

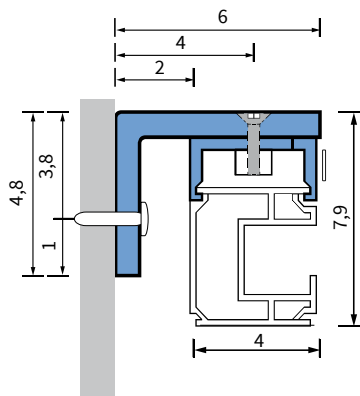
Fig. 4 Installation below/above the roof

Installation options guide rail

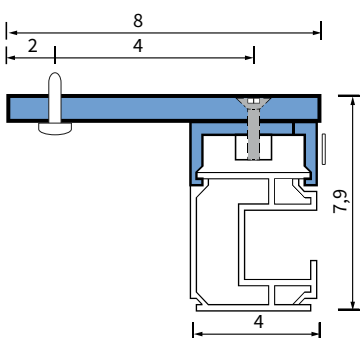
Rail holder (standard installation)



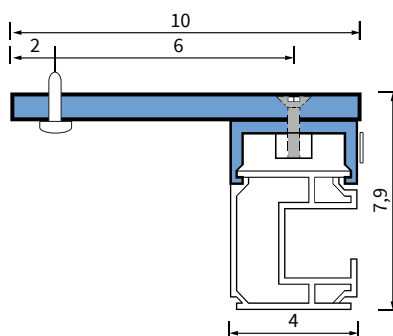
Wall installation bracket (side fixation)



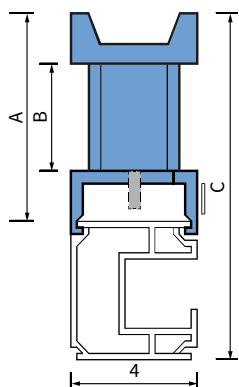
Extended installation bracket, size 8



Extended installation bracket, size 10



Installation foot size 8/13/18



	8	13	18
A	7,8	12,8	17,8
B	4	9	14
C	13,2	18,2	23,2

Installation below the roof



- Install the installation brackets for the boxing on the beams of the veranda. See figure 1 on page 3 for the dimensions. **Attention!** Don't forget that the installation distance is 5 cm from the wall.



- Install the rail holders/installation feet to the beam. See figure 1 on page 3 for the dimensions.
- Place all the rail holders/installation feet on both beams, in one line.



- Hang the boxing of the veranda sun protection in the installation brackets.



- Slide both guides on the boxing.
- During the installation, make sure that the pull cord is on the impeller side.



- Pay attention to the position of the pull cord during the installation of the guides.

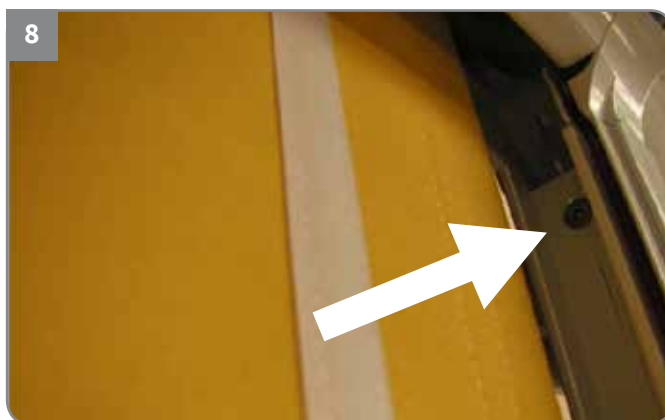


- Twist both guides to the top at the same time and click the guides in the pre-installed rail holders.

Attention! Risk of falling!



- Fasten all rail holders evenly with an allen key (#5).



- Roll out the sun protection fabric for about 40 cm and install the included allen screws (#5) to the inside of both guides (on the side of the boxing).



- Disassemble the cover of the pulley on both sides.



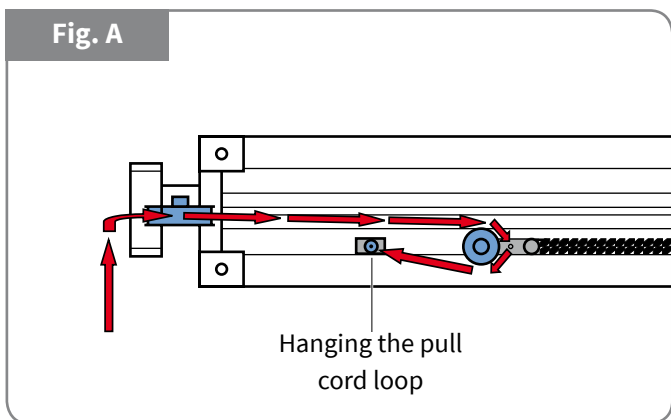
- Lay the pull cord around the pulley.
- Keep the pull cord during the installation under slight tension.



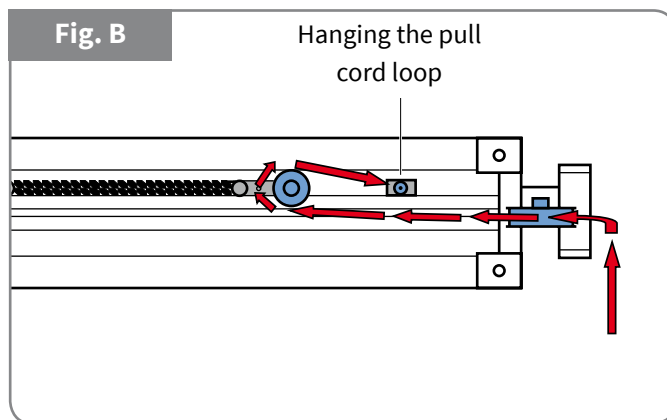
- Install the covers directly after applying the pull cord.



- Lay the pull cord behind the wheel.



Process of the cord in the projection profile on the left



Process of the cord in the projection profile on the right



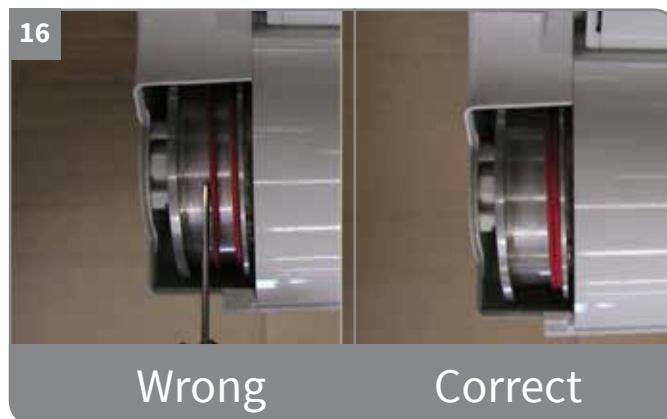
• **Attention!** The pull cord is laid around the wheel on the left side from above (see figure A) and on the right side from below (see figure B).



• Pull the loop of the cord up to the hang screw through the guide.



• Place the loop around the screw and make sure that the cord lays decently in the guide.



• Check the process of the cord on the cord dial.
Attention! The pull cord needs to be on the inside of the cord dial. Optionally push 'in' with a screwdriver.

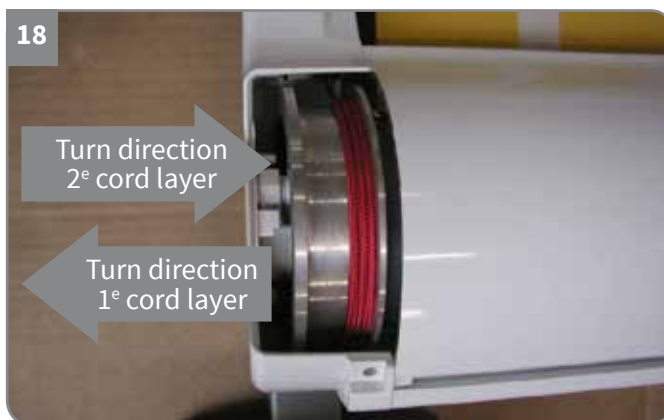


- Unscrew the safety screw.



Attention!

The veranda sun protection is now tensioned!



- Roll out the veranda sun protection and check the process of the cord during the rolling. The first cord layer wraps around the dial from right to left. The second layer wraps in reverse direction.



- Install the cover of the cord dial on both sides of the housing with an allen key.



- Push the cover profile tightly to the projection profile.



- At a specific width or projection, fabric support is necessary during the installation. Install the holder for the fabric support cord in the middle of the guide at the same height as the rail holder. Do this on both sides.



- Tension the wire for the fabric support.