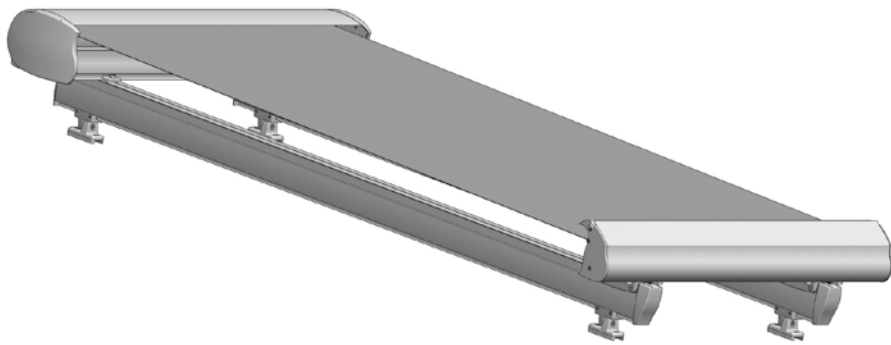


Installation manual

Conservatory awning
V630 Malmö



Verano[®]

Important before installation

General warning

Mounting the Verano® product yourself is at your own risk. Only use this instruction as a tool and for the mounting of this specific Verano® product. If you cannot mount the product yourself, you can always opt for professional mounting. The mounting team of Verano® is pleased to help you.

Be careful for damages

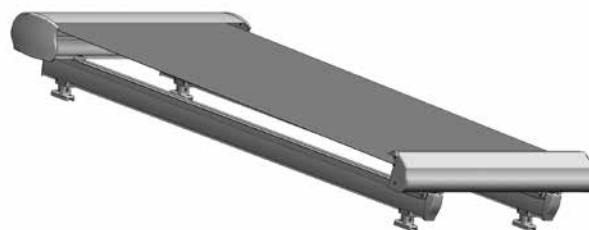
Don't use a knife or any other sharp object when opening the packing. This may cause damage to the content of the package.

Put the content of the package on a soft surface.

Be careful when drilling, falling drill cuttings can cause damages.

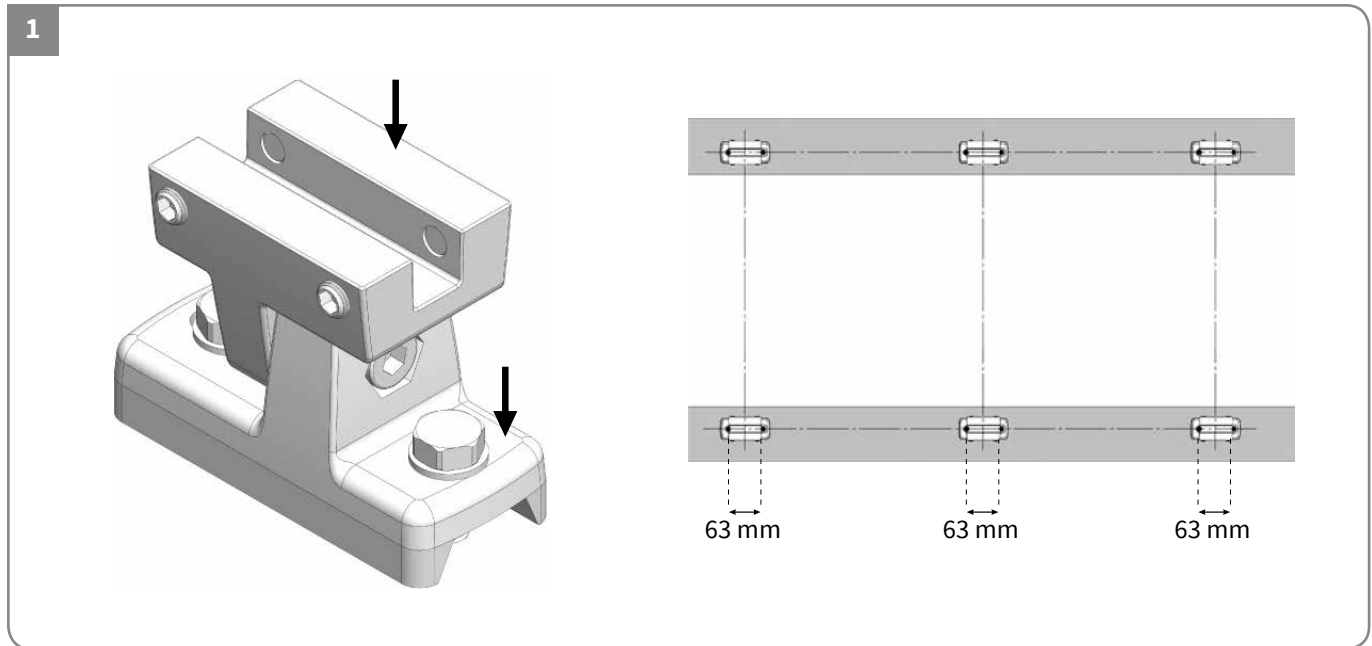


V630 Malmö closed

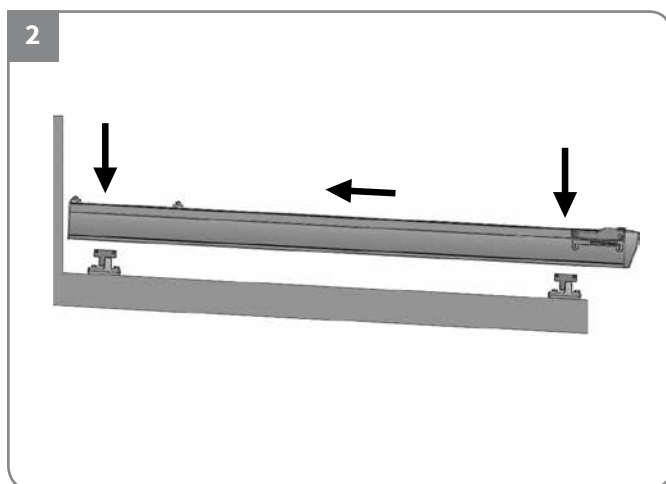


V630 Malmö open

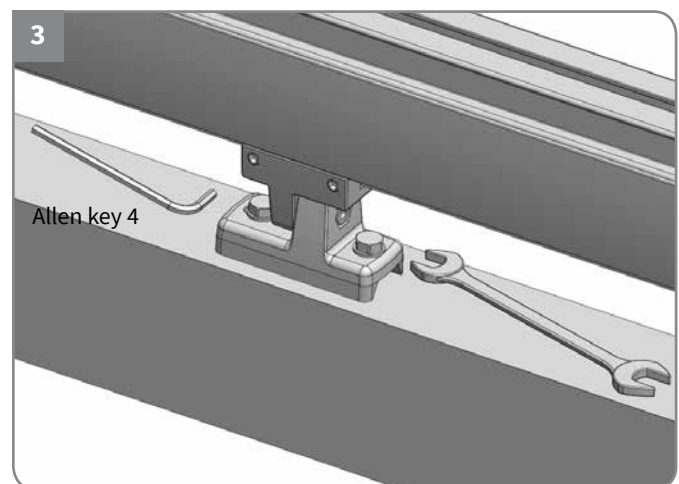
1. Mounting the guiding rail brackets



Install the guiding rail supports onto the roof. Do not tighten the screws yet. It is very important that all guiding rail supports are completely diametrically installed besides and opposite of each other. This is particularly important when using three supports per guiding rail.

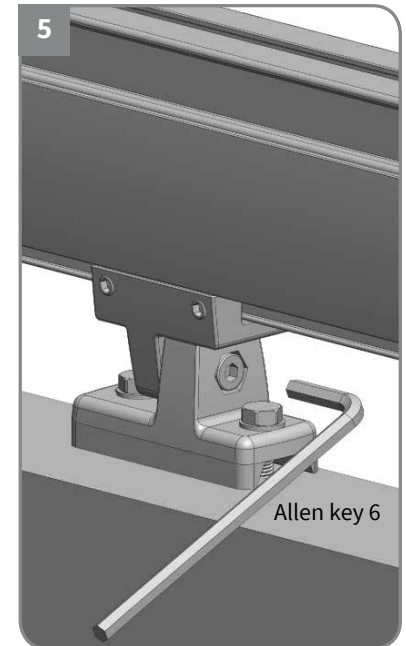
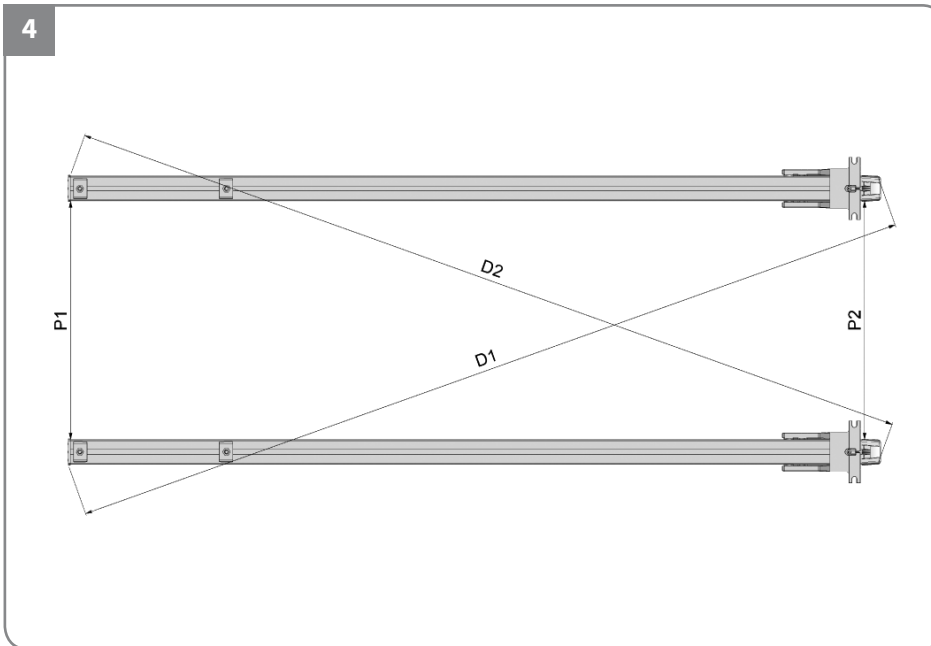


Install the guiding rails onto the guiding rails supports. Keep in mind that the backside may not touch the wall.



Tighten the nuts and screws.

2. Alignment and mounting guiding rails



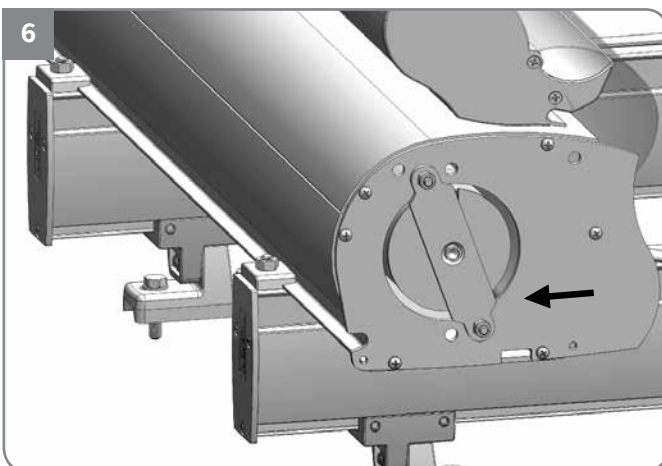
Adjust the position of the guiding rails so they are exactly parallel to each other. Use the diagonal lines between the guiding rails to do this, the dimensions of these lines must be well adapted to each other. You can do this by changing the space between the guiding rails supports.

Use below formula if needed:

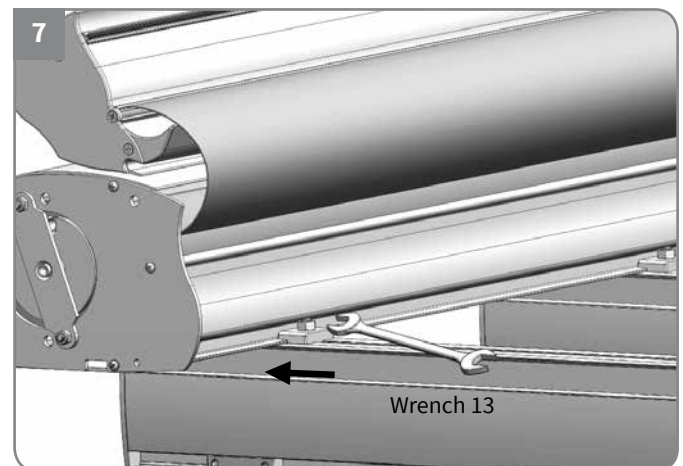
$$P1 = P2 \pm 1 \text{ mm}$$

$$D1 = D2 \pm 2 \text{ mm}$$

When the guiding rails are correctly set you can tighten the screws.

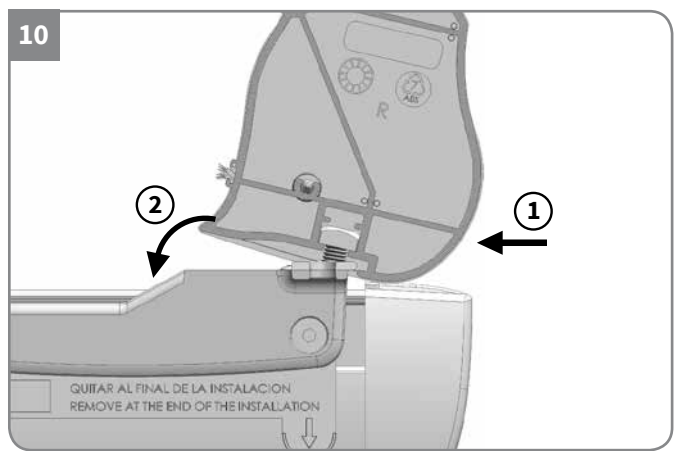
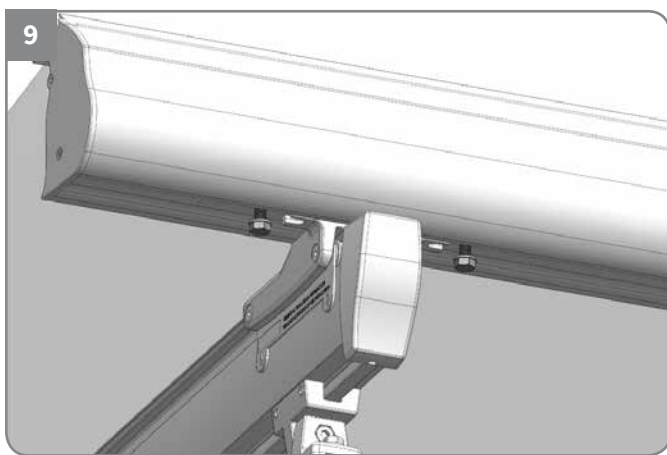
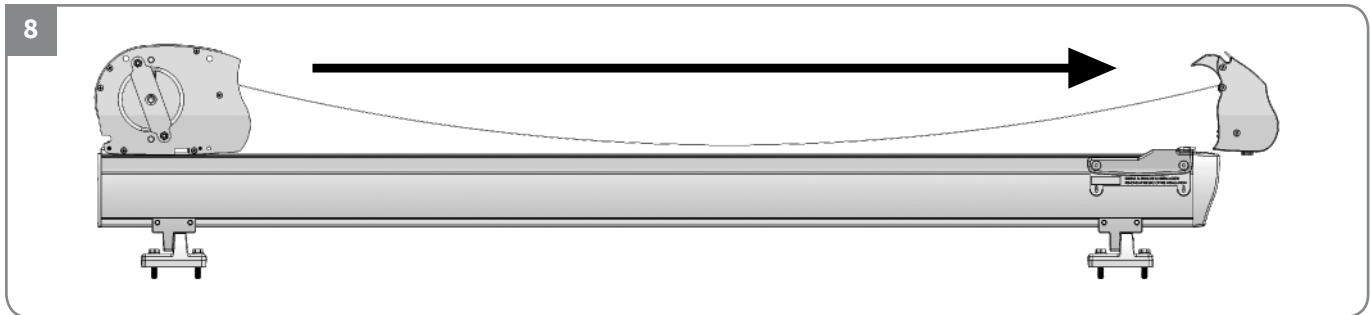


Install the cassette perpendicular to the guiding rails and slide it into the mounting clamps at the back of the guiding rails.

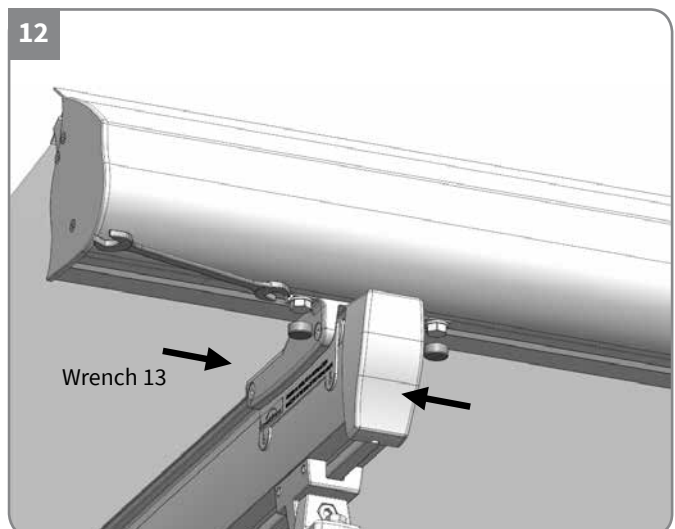
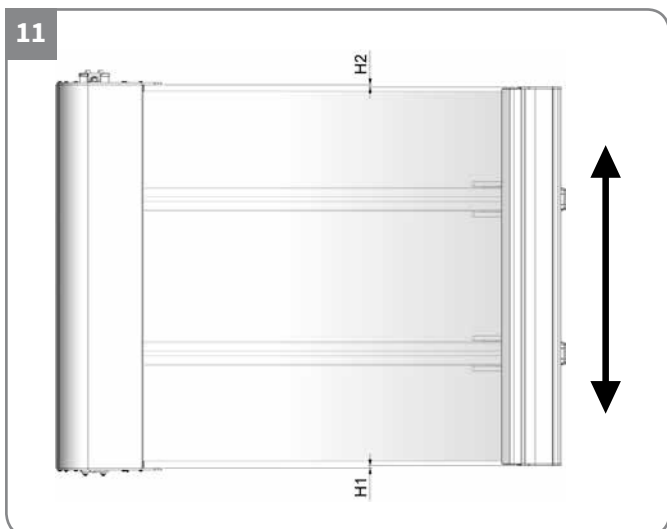


Slide the front mounting clamps at the front to the cassette. Tighten the clamps firmly. Keep the fabric unrolled a bit, so that the front list is kept separate from the cassette.

3. Align the fabric



Unroll the fabric.
 Hook the front list into the guiding rails blocks.
 Make sure there are blocks and bolt- and nut sets at both sides of the guiding rails blocks.



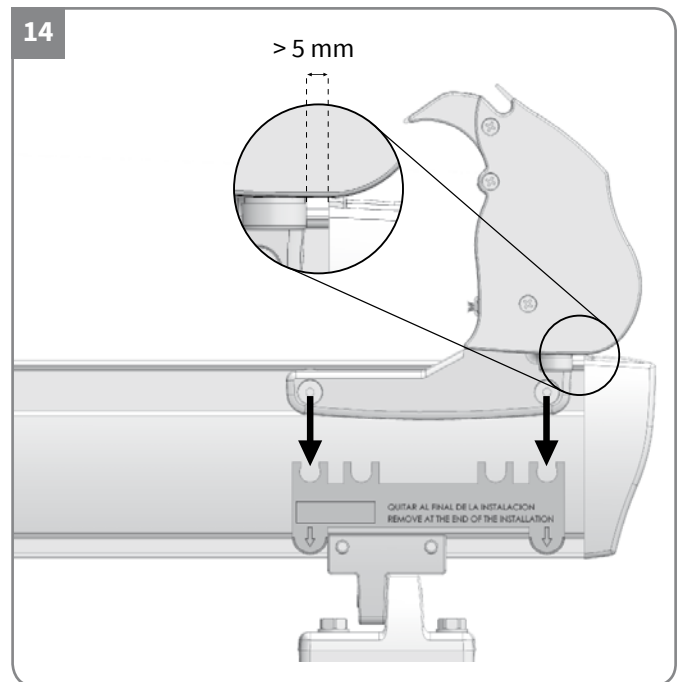
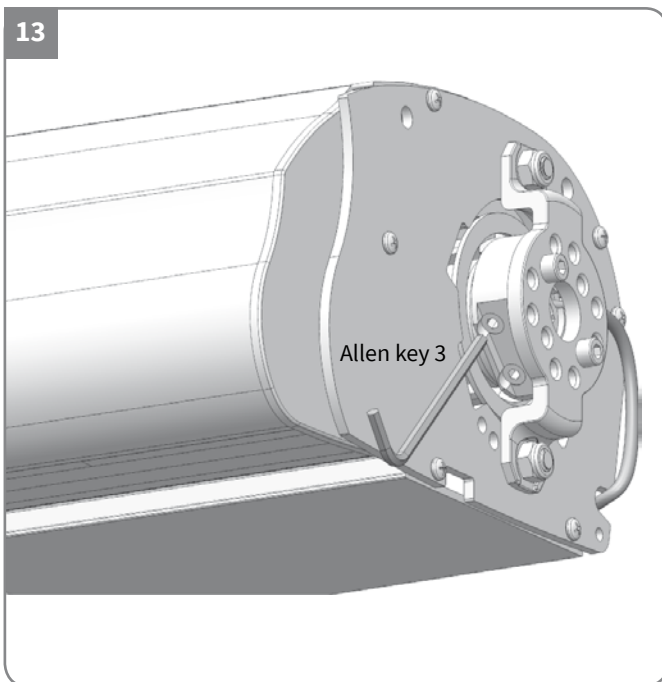
Let the motor pull the front list to the cassette. Make sure there is the same amount of space (in closed position) at both sides between the front list and the opening in the cassette.

Important! $H1 = H2 \pm 2\text{mm to } 5\text{mm}$.

Now do the same for the fabric.

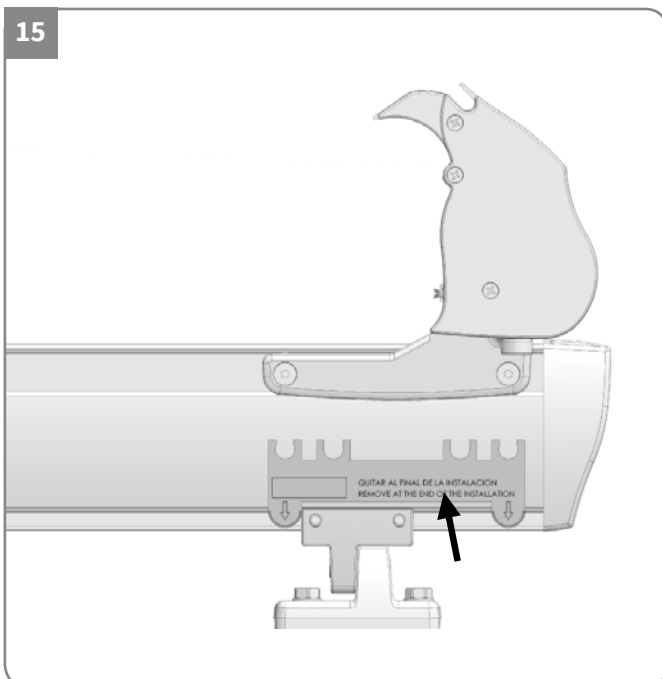
Install the bolts in the wings of the guiding rails blocks. Tighten these firmly and place the finishing caps onto the nuts.

3. Set begin and end positions

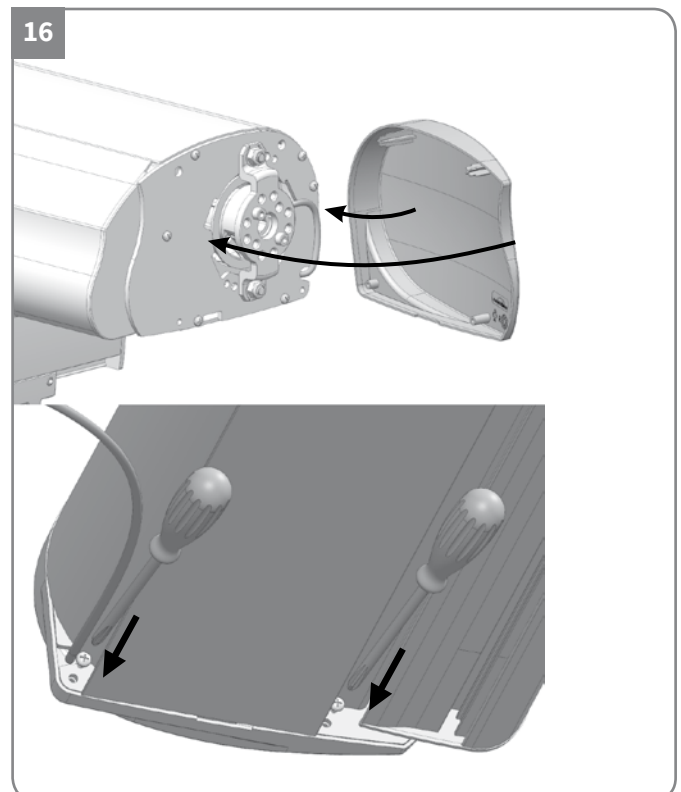


Now set the end positions for the open and closed position.

Important! A gap of at least 5 mm must be present between the guiding rail block and the end of the guiding rail.



Remove the disposable centering blocks at the end of installation.



Install the end caps onto the cassette. Do this by pushing the pins of the end cap into the holes in the cassette. Screw the end cap at the bottom. Guide the cord of the motor through the notch in the cassette.

Notes

A series of horizontal lines intended for handwritten notes, spanning the width of the page below the 'Notes' heading.



www.verano.nl