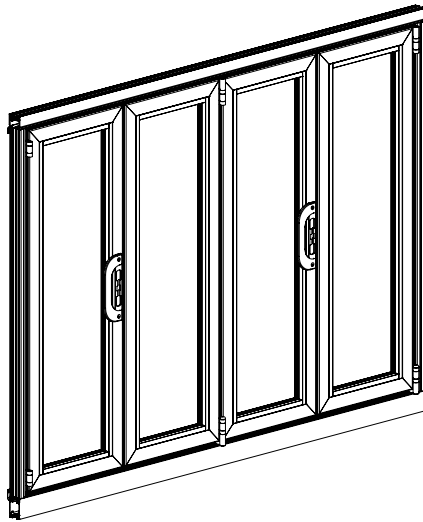


Installation manual

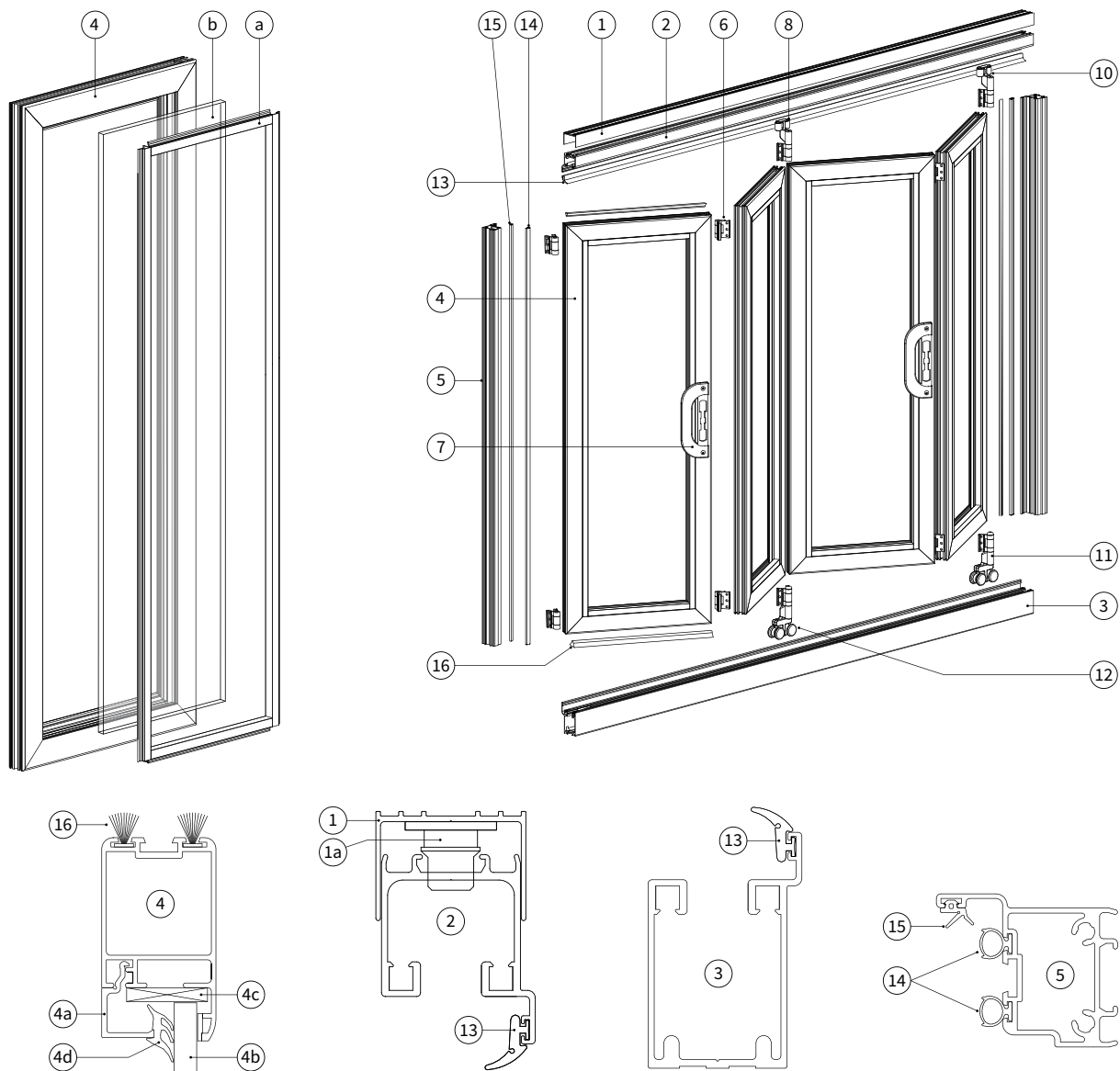
Folding glass wall

V772 Moli



Verano[®]

Exploded view

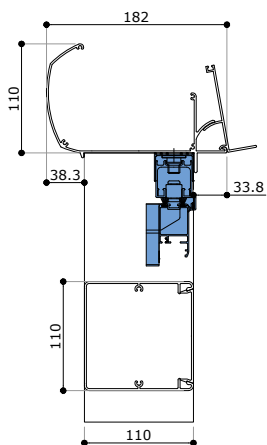


Partslist

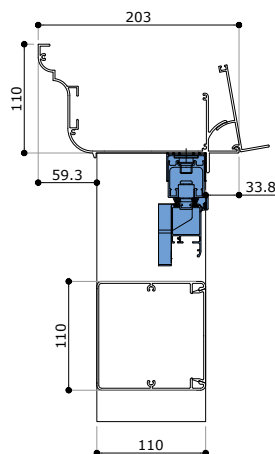
- | | |
|---|--|
| <ol style="list-style-type: none"> 1. Filling profile <ol style="list-style-type: none"> a. Setting block 2. Top rail
(Delivered in a single piece for lengths up to 1500 mm and in two or more parts for bigger lengths). 3. Bottom rail 4. Door panels (already put together in one or more groups) <ol style="list-style-type: none"> a. Click frame window profile b. Glass c. Filling plate d. Rubber | <ol style="list-style-type: none"> 5. Side profile 6. Hinge 7. Lock handle 8. Top guiding middle 9. Top guiding left or right 10. Runner middle 11. Runner left or right 12. Sealing rubber 1 13. Sealing rubber 2 14. Sealing rubber 3 15. Brush profile |
|---|--|

Specifications, when placed under a veranda

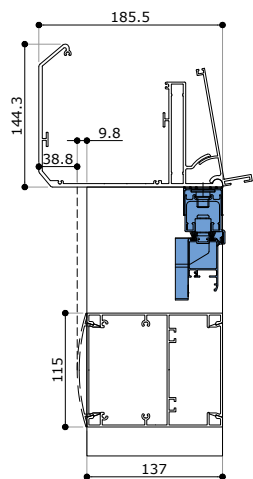
V905 - Iseo standard gutter



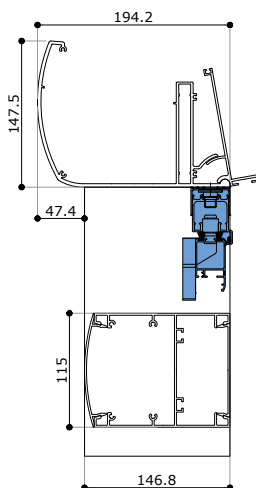
V905 - Iseo classic gutter



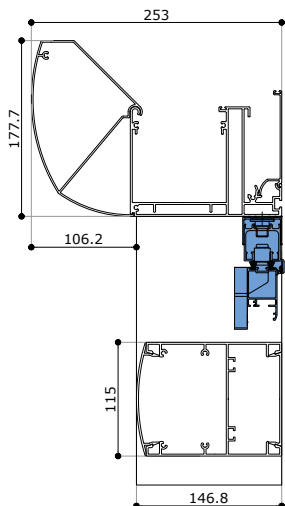
V908 - Ledro straight gutter



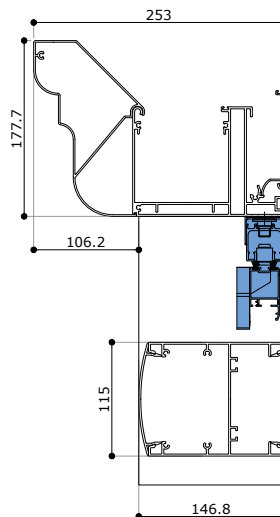
V908 - Ledro round gutter



V910 - Garda standard gutter



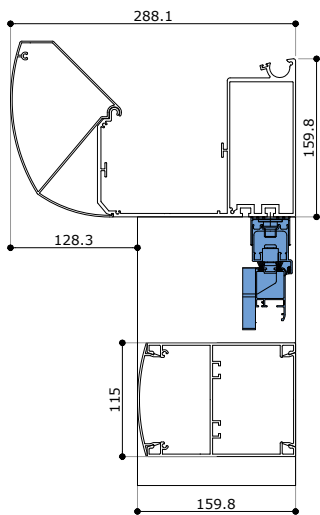
V910 - Garda classic gutter



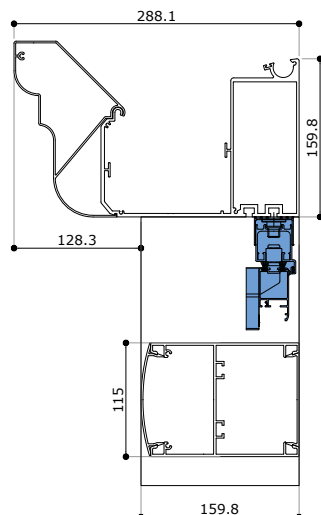
Sizes in mm

Specifications, when placed under a veranda

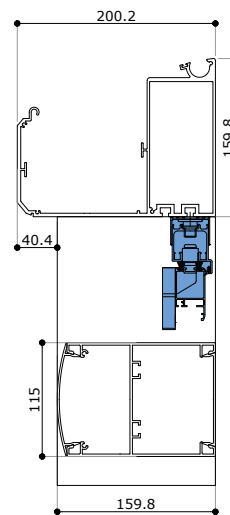
V916 - Como round gutter



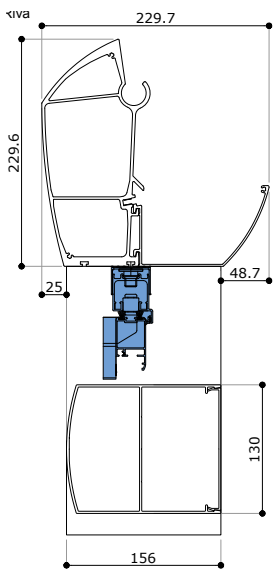
V916 - Como classic gutter



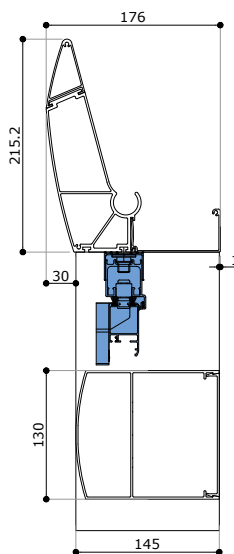
V916 - Como overhang gutter



V920 - Riva gutter

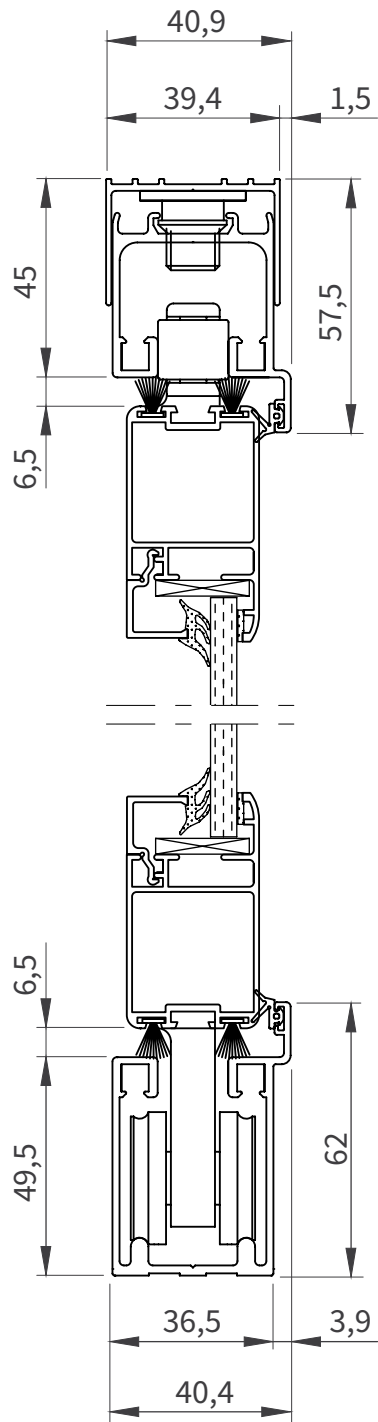


V950 - Lugano gutter



Sizes in mm

Specifications V772-Moli



doorsnede profielen

Sizes in mm

Required tools

- Drilling machine
- Metal drill
- Crosshead screwdriver
- Allen key set
- Tape measure
- Level
- Pencil
- Cutter
- Screwdriver
- Silicone sealant

Important before installation

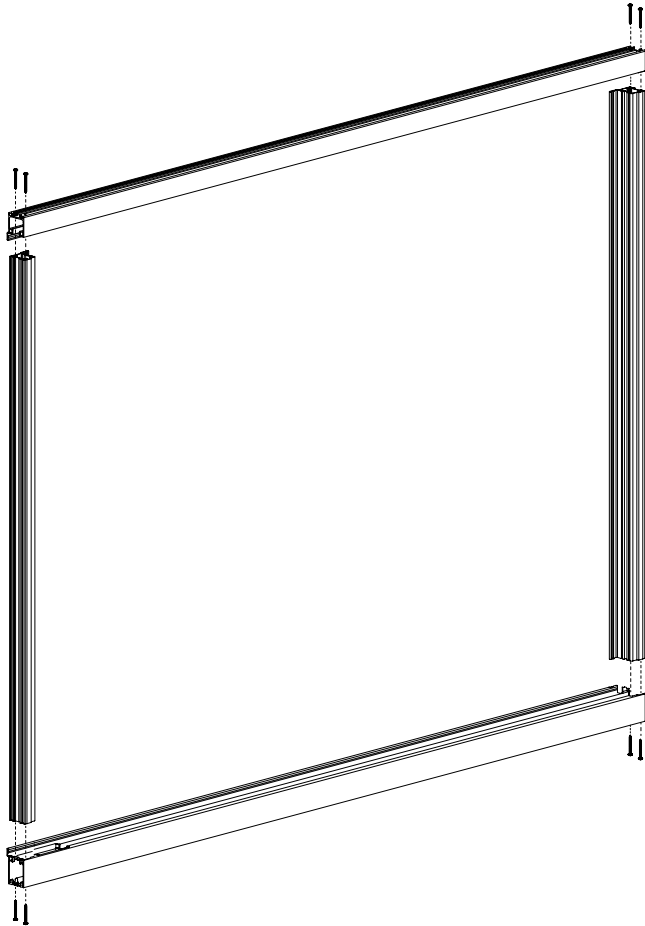
General warning

Installing the Verano® product yourself is at your own risk. Only use this instruction as a tool and for the installation of this specific Verano® product. If you cannot install the product yourself, you can always opt for professional installation. The installation team of Verano® is pleased to help you.

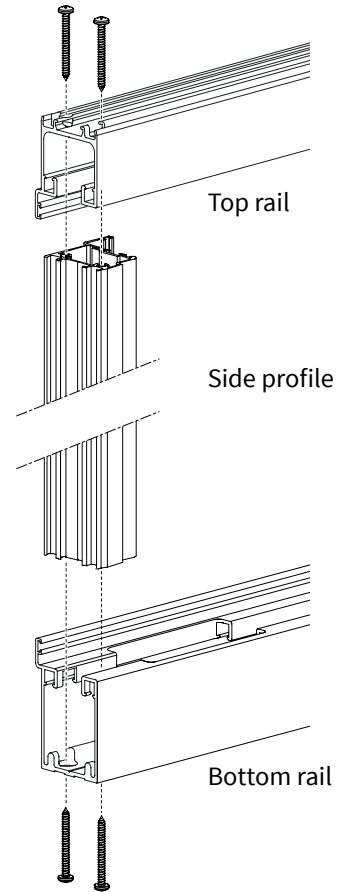
- Beware of damages. Do not use a knife or other sharp object when opening the package. You may damage the content. Place the content on a soft surface.
- Be careful when drilling, falling drill cuttings can cause damages.
- Clean, degrease and dry the walls of the opening wherein the folding glass wall is installed.
- Remove all traces of dust, loose plaster, etc., to keep a perfect sealing.

Installation folding glass wall

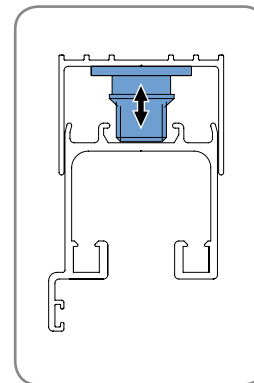
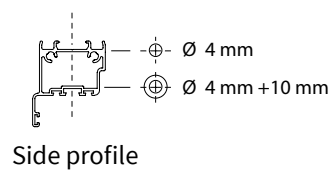
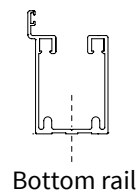
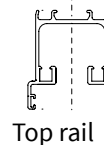
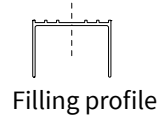
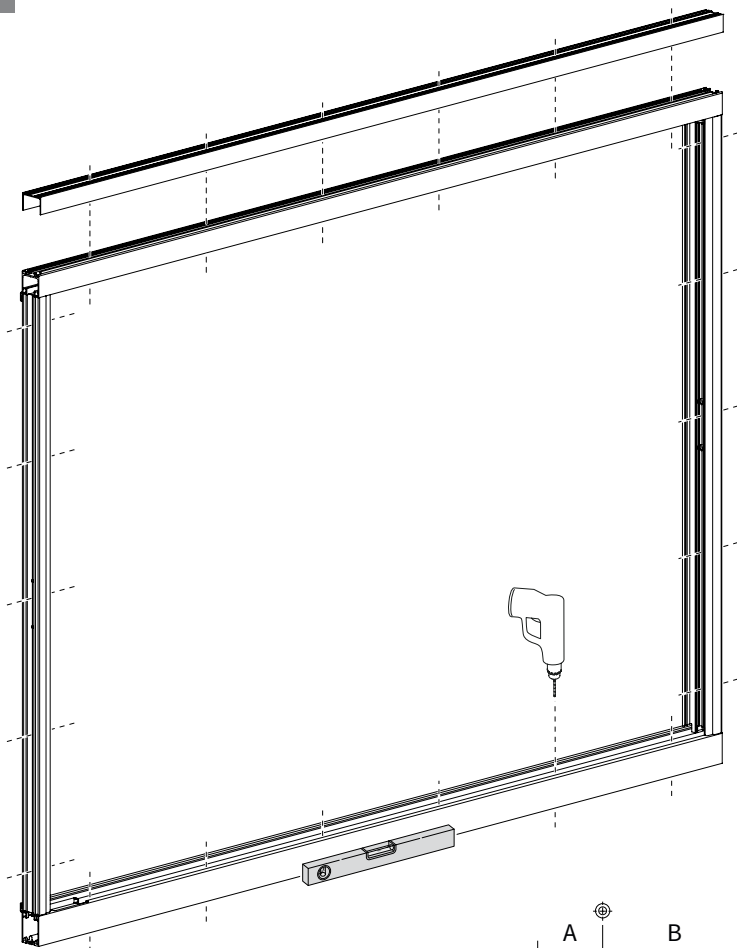
1



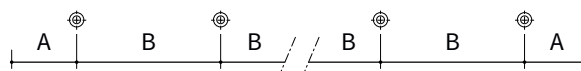
Self-tapping screws 4.8 x45



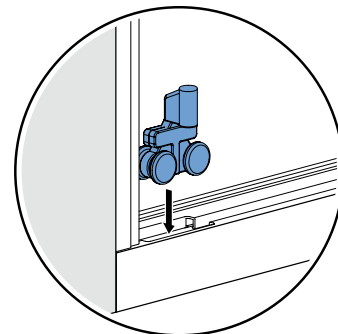
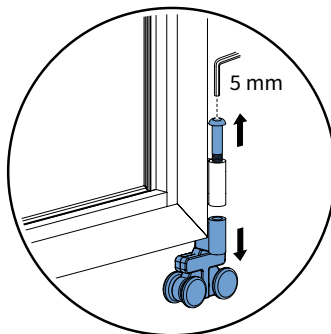
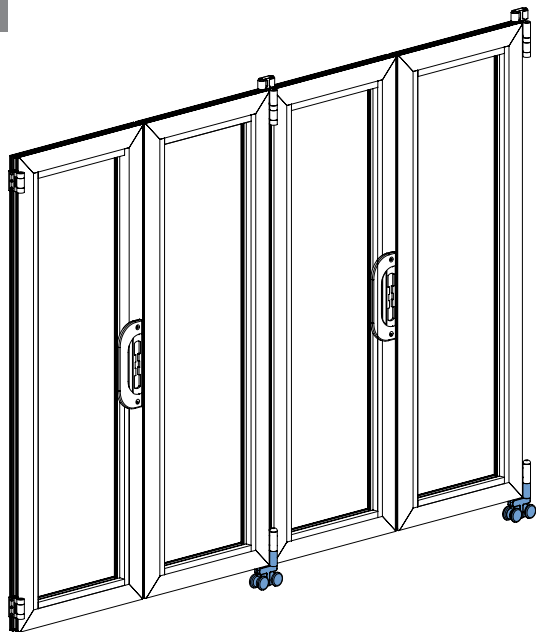
2



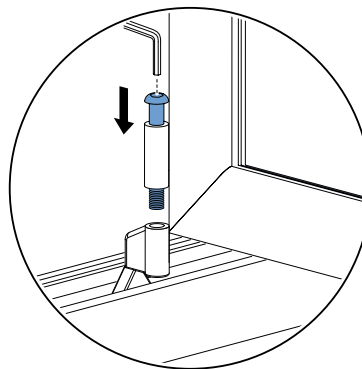
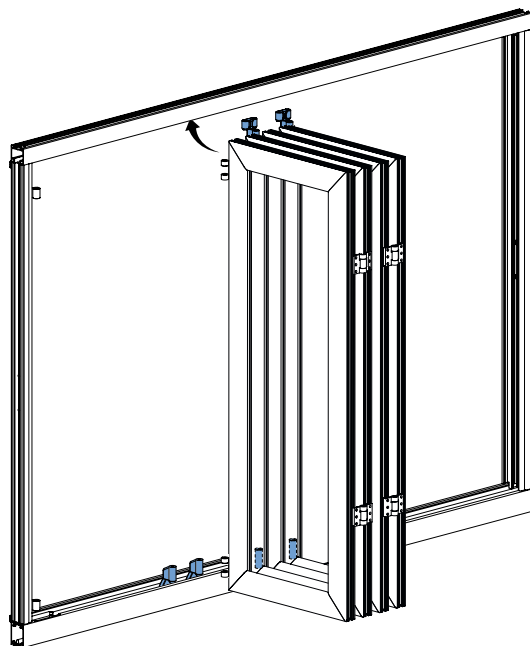
A = 100 mm
B = 400 - 800 mm



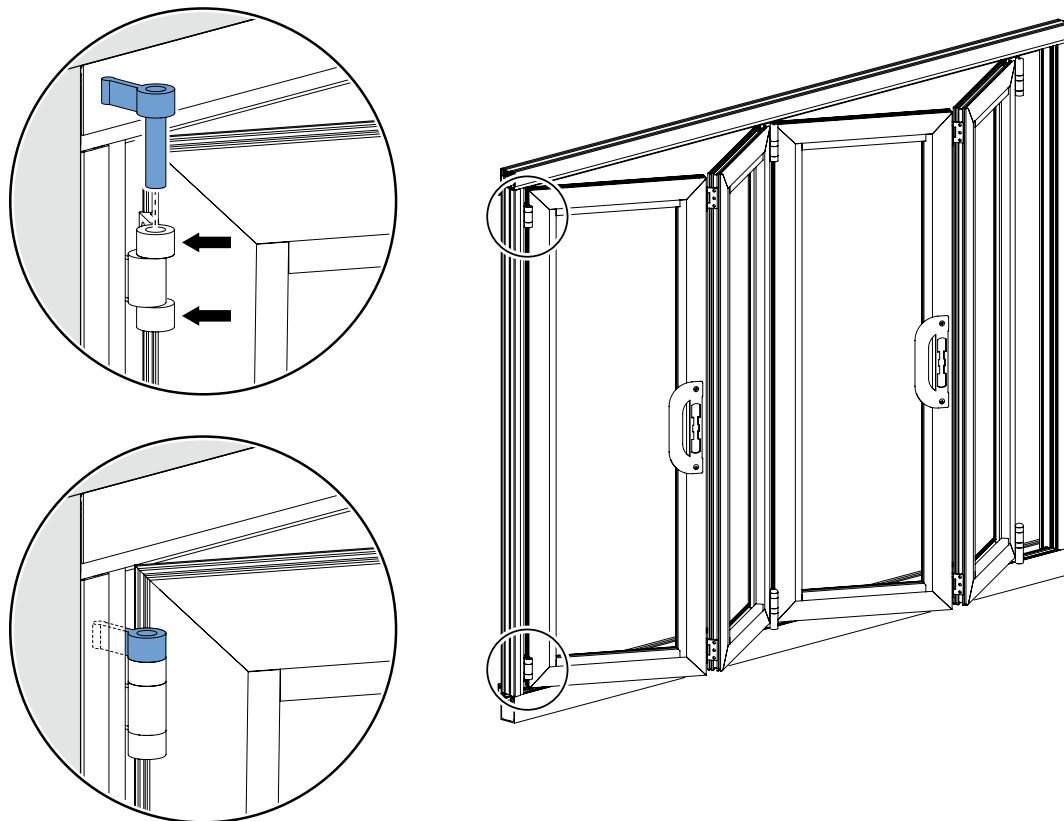
3



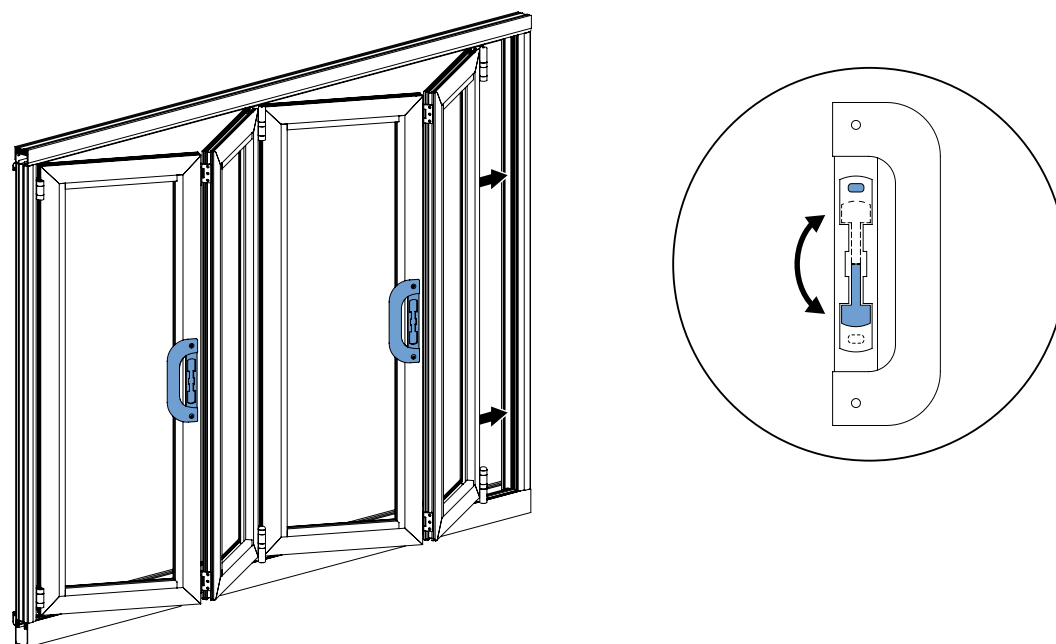
4



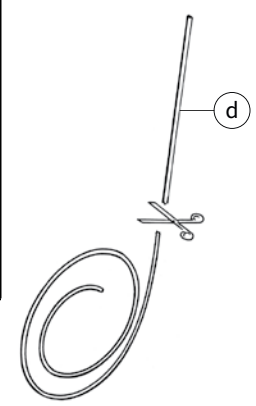
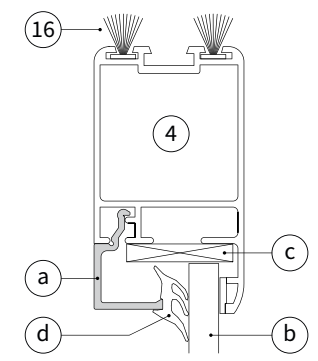
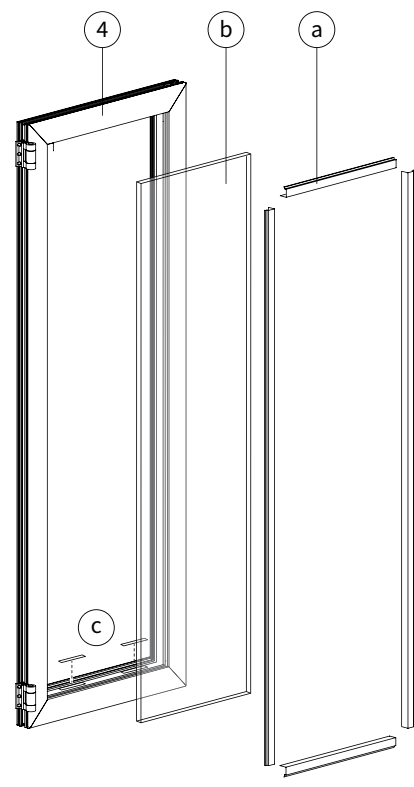
5



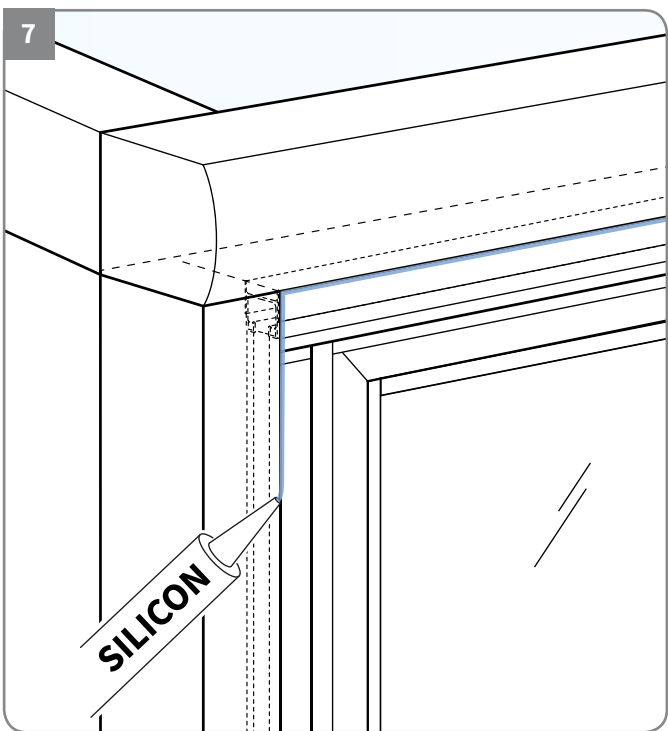
5



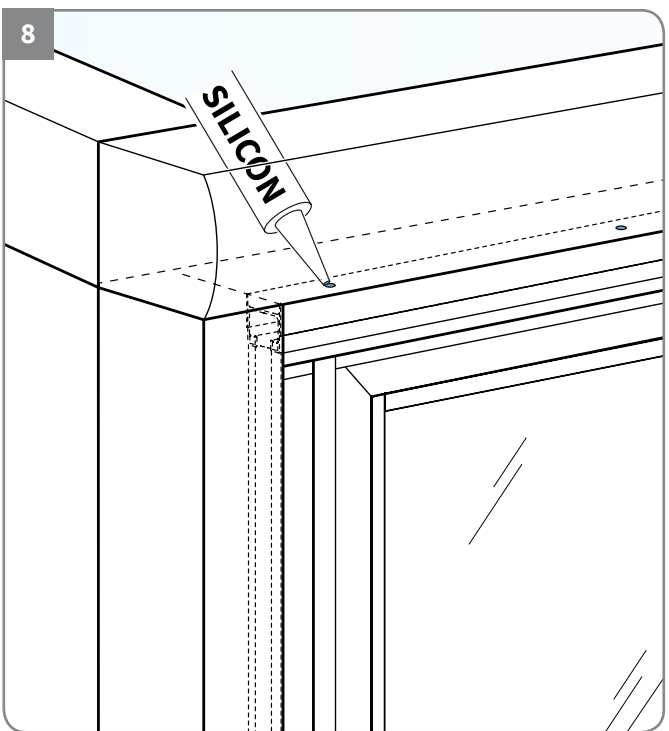
6



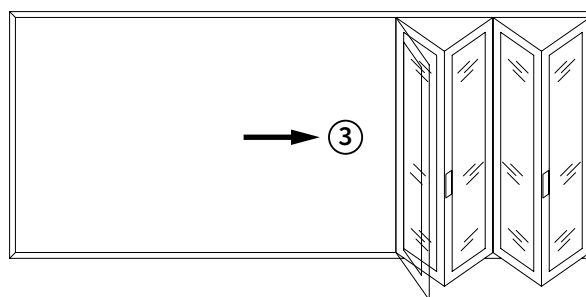
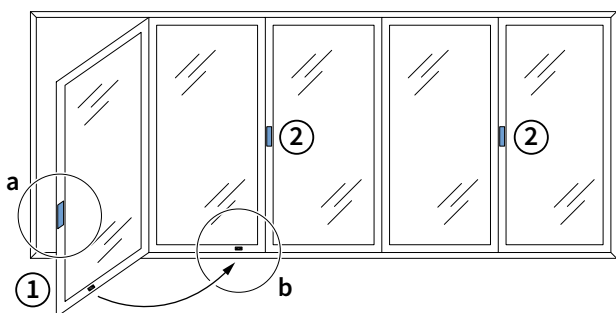
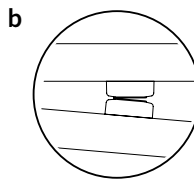
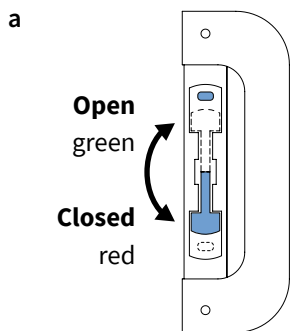
7



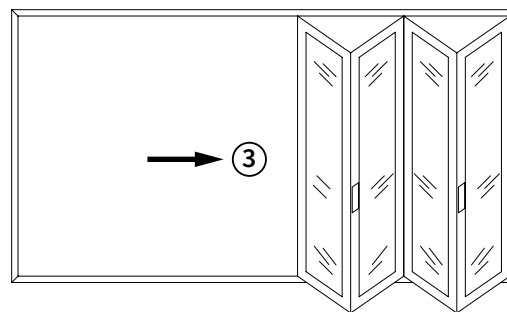
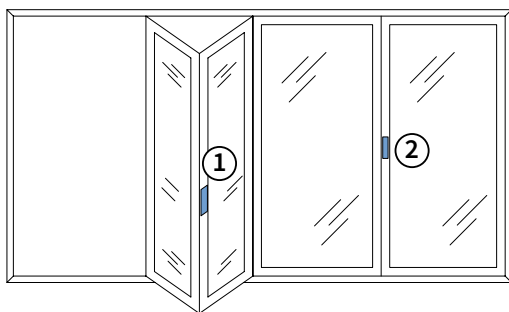
8



9



10



MANUFACTURERS WARRANTY

controler no.

date

particulars

Warranty conditions

The factory warranty is valid only if the assembly has been executed by a certified engineer (professional placement). During the manufacturing of its products, Verano® has used the greatest precision. However, if during the normal use and maintenance within 5 years after the purchase date, there are faults resulting from manufacture or construction errors, provided that all the instructions concerning the correct use and maintenance have been followed, Verano® will put at the dealer's disposal the replacement material, for free.

Warranty:







- The term is not extended or renewed because of repair or the replacement of faulty parts;
- Does not include the replacement of fuses, limit switches and slide contacts;
- It is Verano®'s obligation to give to the buyer whatever right to compensation or dissolution of the purchase contract;
- Verano® reserves its right, without previous notification, to carry out changes in its products;
- All our transactions occur according to the conditions deposited at the Chamber of Commerce in Eindhoven under number 17119924;
- Small colour changes can occur due to the fact that the ordered colours are manufactured according to the number or that a present steel colour is imitated;
- The paintwork is not resistant to strong chemicals and /or damage with a sharp tool;
- Some colour shade can occur due to the fact that the colours can be more or less effected by UV-radiation (sun light).

The warranty elapses:

- As a result of insufficient maintenance or incorrect use;
- The sun blind is not fitted by a certified engineer;
- Normal wear resulting from use;
- Discoloration due to effects of weather;
- Faulty assembly.

The second party does not derive a right from the warranty other than the one above mentioned, especially the right to compensation in case of consequential loss and also due to faults of third parties. Also inconsequential damage will not be compensated. The second party indemnifies us against all the consequences of the other claims of his customers.

More inspiration? Follow Verano®!

-  facebook.com/verano.nl
-  @veranobv
-  pinterest.com/veranobv
-  instagram.com/veranobv
-  linkedin.com/company/verano-b.v.
-  veranobv

REGISTER YOUR PRODUCT ON VERANO.EU AND RECIEVE A 5 YEAR WARRANTY!

Congratulations on your purchase of this Verano® sun protection. You are ensured of many years of pleasure during the normal use of the product according to the appropriate operation and maintenance rules. All the materials used are adjusted to the user's objectives. The products are manufactured with the greatest care, If you have any comments, please send an e-mail to: info@verano.nl.

Please tear of this card and save it in your administration



Verano® dealer information

MANUFACTURERS WARRANTY

REGISTER YOUR PRODUCT ON VERANO.EU AND RECIEVE A 5 YEAR WARRANTY!