



Installation manual

Spie

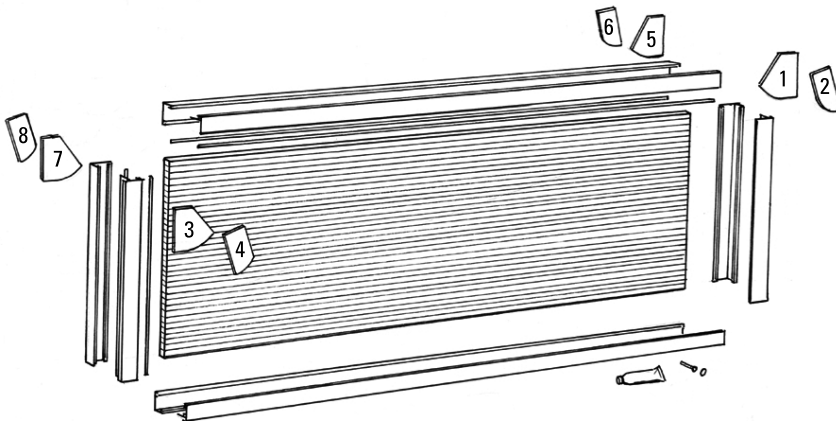
V780 Jondal

**Verano**[®]

Partslist

- 2 sets aluminum profiles at projection size
- 2 sets aluminum profiles (100 cm)
- 1 double walled polycarbonate plate (clear or opaque), width 980 cm
- 20 screws with covering caps
- 20 meters glass rubber strip
- 8 corner protecting caps (1 – 8). Seal with kit.

Not included: mounting screws and plugs to mount the profiles to the wall and/or veranda.



Important before mounting

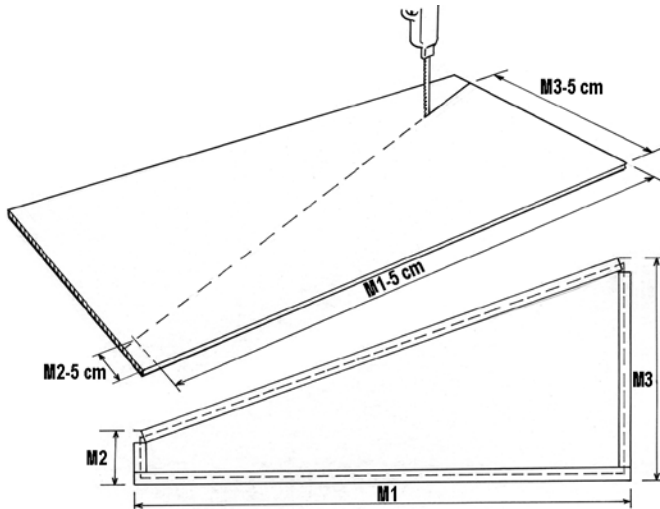
General warning

Mounting the Verano® product yourself is at your own risk. Only use this instruction as a tool and for the mounting of this specific Verano® product. If you cannot install the product yourself, you can always opt for professional mounting. The mounting team of Verano® is pleased to help you.

Be careful for damages

Don't use a knife or any other sharp object when opening the packing. This may cause damage to the content of the assembly. Put the content of the assembly on a soft surface. Be careful when drilling, falling drill cuttings can cause damages.

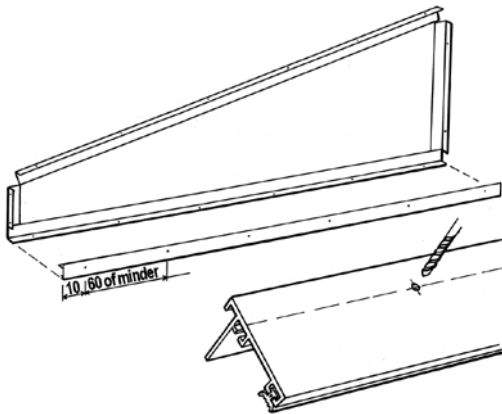
1



Measuring and sawing the polycarbonate plate

The size of the polycarbonate plate is 5 cm less than the triangular section which means 2.5 cm around. Saw the plate with a regular jigsaw or handsaw.

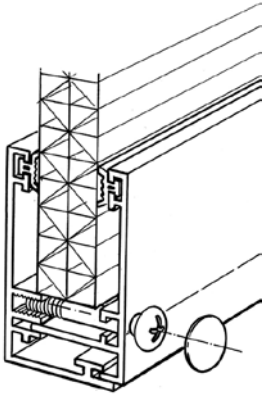
2



Provide the 4 covering profiles with \varnothing 4 mm holes.

The long covering profiles 6 holes, 10 cm. From the ends and the short covering profiles 2 holes \varnothing 4 mm.

3

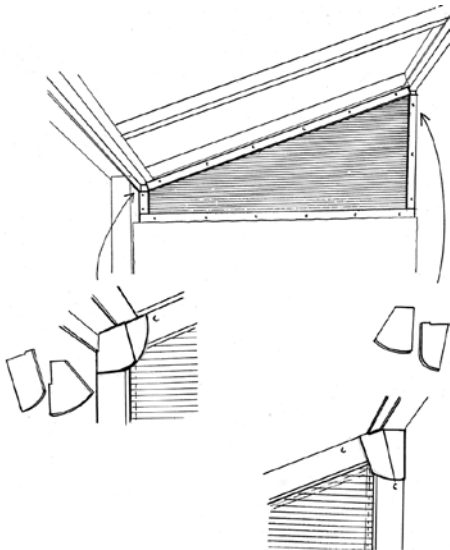


Mounting the polycarbonate plate

It is easiest to mount the bottom covering profile first and tighten the included screws (m4 roundhead) partially (make sure the polycarbonate plate is level in the middle).

Now place all covering profiles and tighten with screws.

4



The V780 - Jondal is now almost finished, you only need to cover the small corners at the left and right top.

Corner protecting caps have been included to cover these small corners. Seal these with kit. The caps must be mounted at both sides.

Notes

Lined area for notes, consisting of multiple horizontal lines.

MANUFACTURERS WARRANTY

controler no.

date

particulars

Warranty conditions

The factory warranty is valid only if the assembly has been executed by a certified engineer (professional placement). During the manufacturing of its products, Verano® has used the greatest precision. However, if during the normal use and maintenance within 5 years after the purchase date, there are faults resulting from manufacture or construction errors, provided that all the instructions concerning the correct use and maintenance have been followed, Verano® will put at the dealer's disposal the replacement material, for free.

Warranty:







- The term is not extended or renewed because of repair or the replacement of faulty parts;
- Does not include the replacement of fuses, limit switches and slide contacts;
- It is Verano®'s obligation to give to the buyer whatever right to compensation or dissolution of the purchase contract;
- Verano® reserves its right, without previous notification, to carry out changes in its products;
- All our transactions occur according to the conditions deposited at the Chamber of Commerce in Eindhoven under number 17119924;
- Small colour changes can occur due to the fact that the ordered colours are manufactured according to the number or that a present steel colour is imitated;
- The paintwork is not resistant to strong chemicals and /or damage with a sharp tool;
- Some colour shade can occur due to the fact that the colours can be more or less effected by UV-radiation (sun light).

The warranty elapses:

- As a result of insufficient maintenance or incorrect use;
- The sun blind is not fitted by a certified engineer;
- Normal wear resulting from use;
- Discoloration due to effects of weather;
- Faulty assembly.

The second party does not derive a right from the warranty other than the one above mentioned, especially the right to compensation in case of consequential loss and also due to faults of third parties. Also inconsequential damage will not be compensated. The second party indemnifies us against all the consequences of the other claims of his customers.

More inspiration? Follow Verano®!

-  facebook.com/verano.nl
-  @veranobv
-  pinterest.com/veranobv
-  plus.google.com/u/0/+VeranoNL90
-  linkedin.com/company/verano-b.v.
-  veranobv

REGISTER YOUR PRODUCT ON VERANO.EU AND RECEIVE A 5 YEAR WARRANTY!

Congratulations on your purchase of this Verano® sun protection. You are ensured of many years of pleasure during the normal use of the product according to the appropriate operation and maintenance rules. All the materials used are adjusted to the user's objectives. The products are manufactured with the greatest care, if you have any comments, please send an e-mail to: info@verano.nl.

Please tear off this card and save it in your administration

MANUFACTURERS WARRANTY

REGISTER YOUR PRODUCT ON VERANO.EU AND RECEIVE A 5 YEAR WARRANTY!



Verano® dealer information