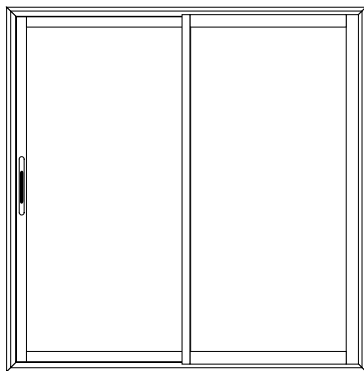


Installation manual

Sliding door

V790 Solano

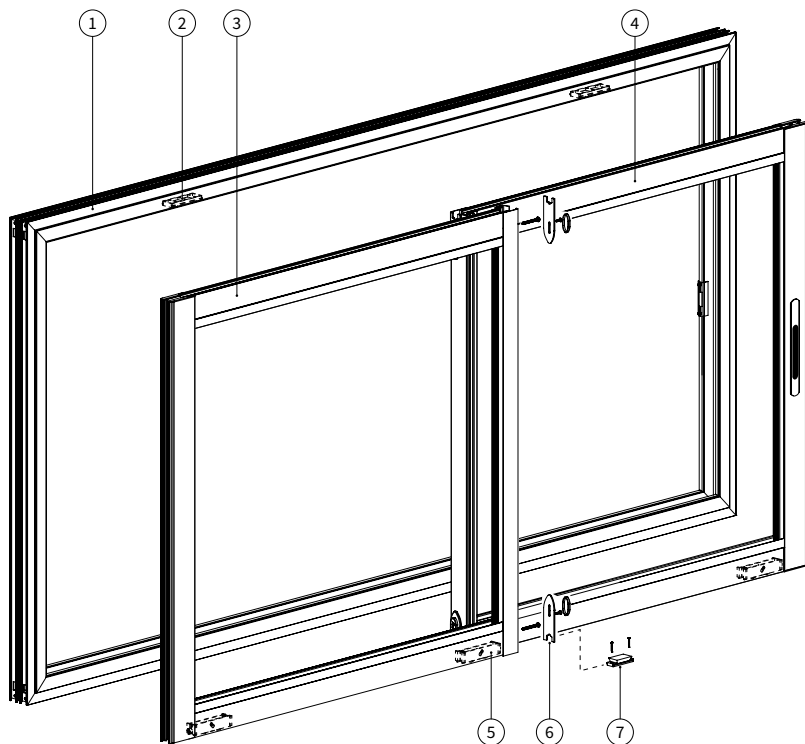


Verano[®]

Index

	page
Exploded view	3
Partslist	3
Required tools	4
Important before installation	4
General - Mounting the window frame	5
Mounting the sliding door	7
Manufacturers warranty	11

Exploded view



Partslist

1. Window frame
2. Anti-lifting blocks
3. Sliding window part
4. Fixed window part
5. Double pulley
6. Rail cover with small cap
7. Lock bumper

Screws

Warning! The installer needs to determine the size, number and type of plugs.

Required tools

- Drilling machine
- Metal drill
- Crosshead screwdriver
- Allen key set
- Tapeline
- Level
- Pencil
- Screwdriver
- Silicone kit (Acid Free)

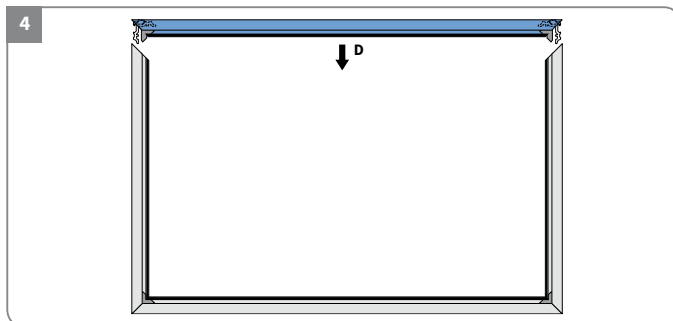
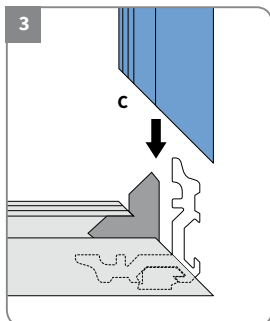
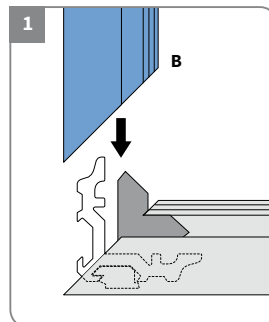
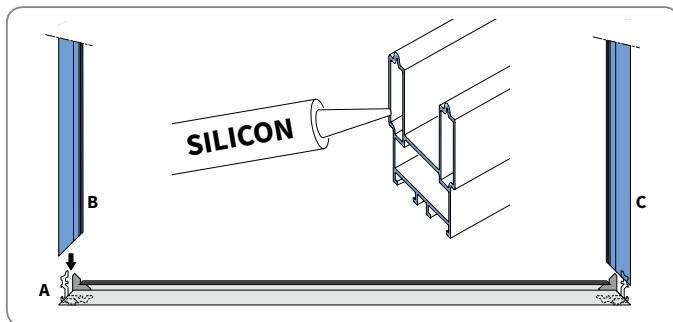
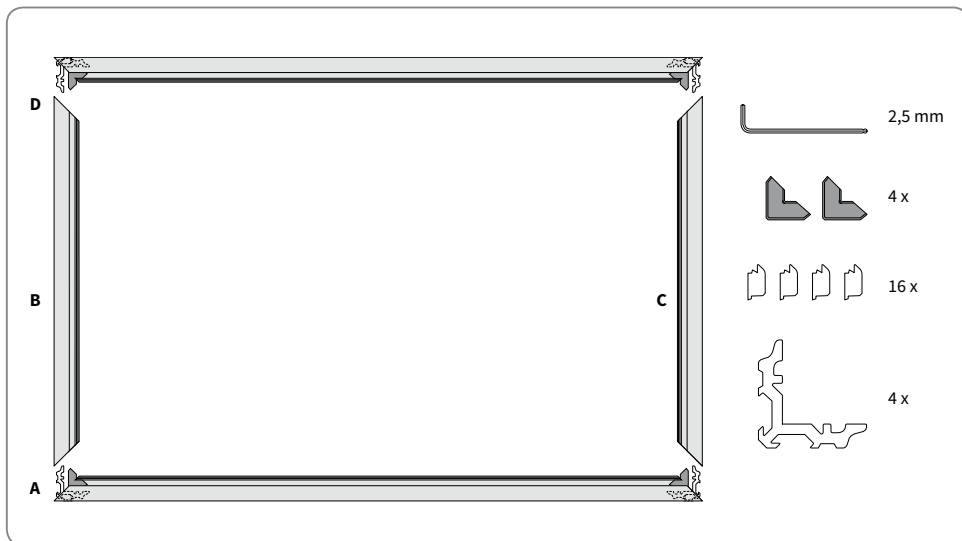
Important before mounting

General warning

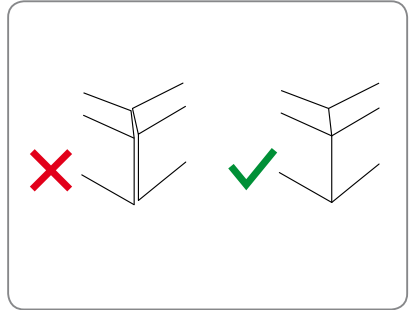
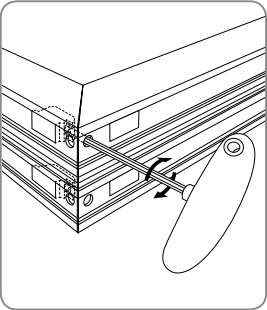
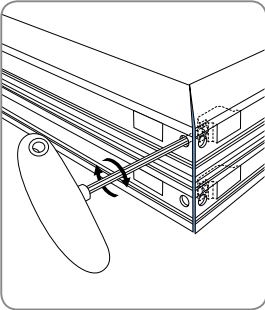
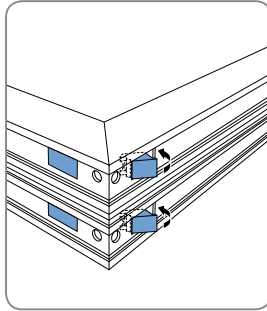
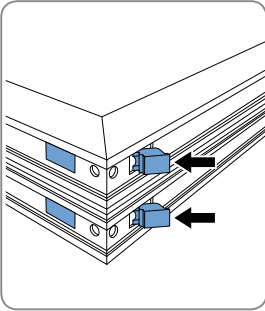
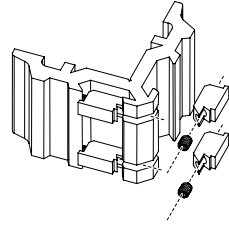
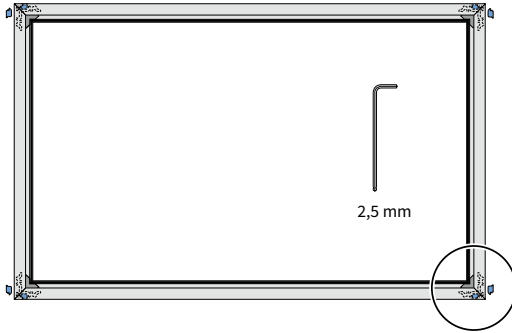
Mounting the Verano® product yourself is at your own risk. Only use this instruction as a tool and for the mounting of this specific Verano® product. If you cannot install the product yourself, you can always opt for professional mounting. The mounting team of Verano® is pleased to help you.

- Be careful for damages. Don't use a knife or any other sharp object when opening the packing. This may cause damage to the content of the assembly. Put the content of the assembly on a soft surface.
- Be careful when drilling, falling drill cuttings can cause damages.
- Clean, degrease and dry off the sides of the opening wherein the sliding door will be installed.
- Remove all the dust, loose plaster and other unevenness for a perfect closure.

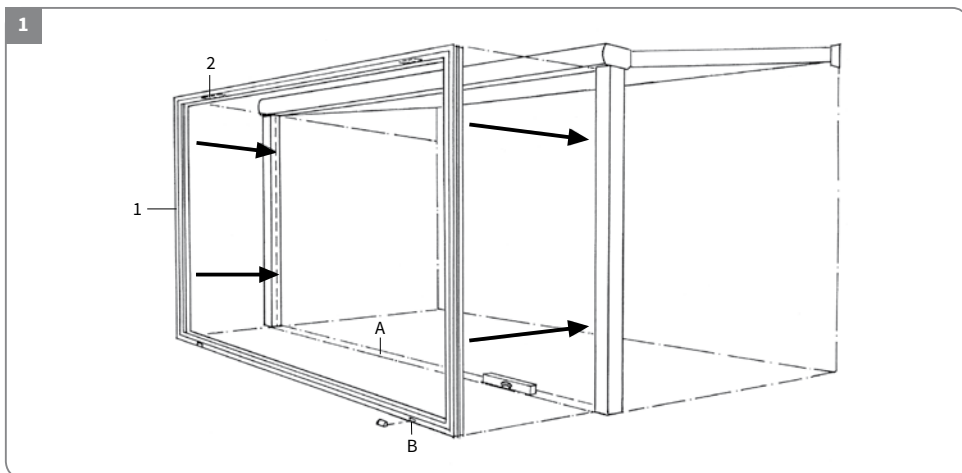
General - Mounting the window frame



5



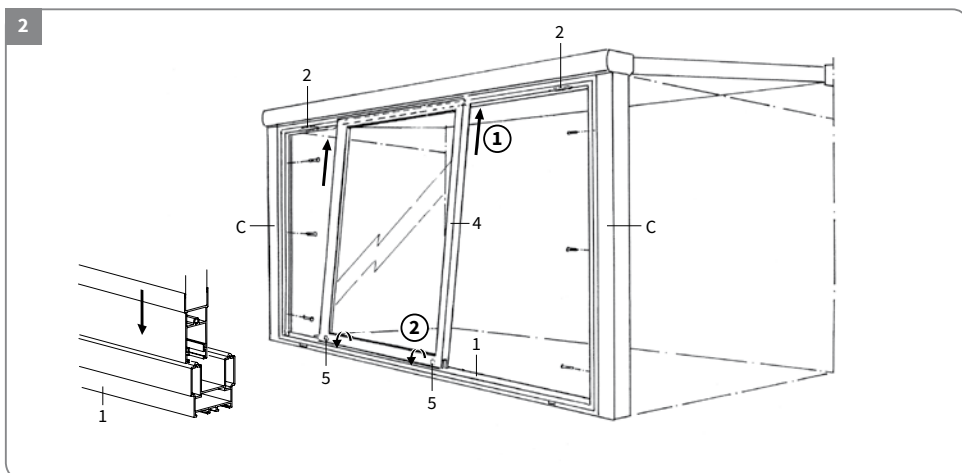
Mounting the sliding door



Install the window frame (1) below the veranda.

Attention! The blocks (2) on top. The water outflow holes (B) below.

The floor (A) needs to be 100% level.



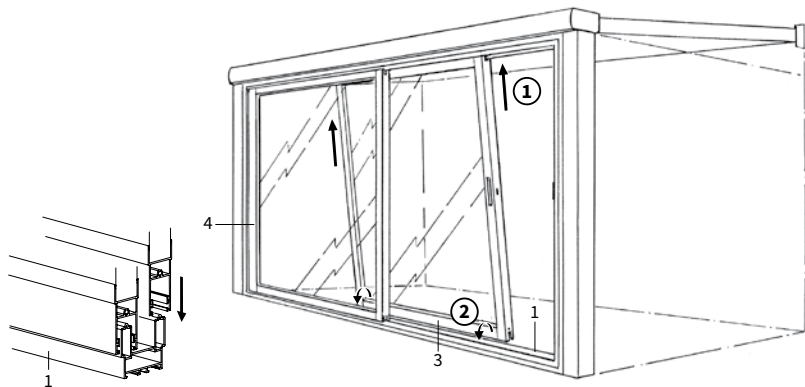
- Screw the window frame to the veranda posts (C).
- Install the fixed window part (4) between both anti-lifting blocks (2), approximately in the middle.

Attention! Wheels (5) underneath.

First slide as high as possible, this way the fixed window part can lower on the front rail (1)

- After that, slide the fixed window part to the left.

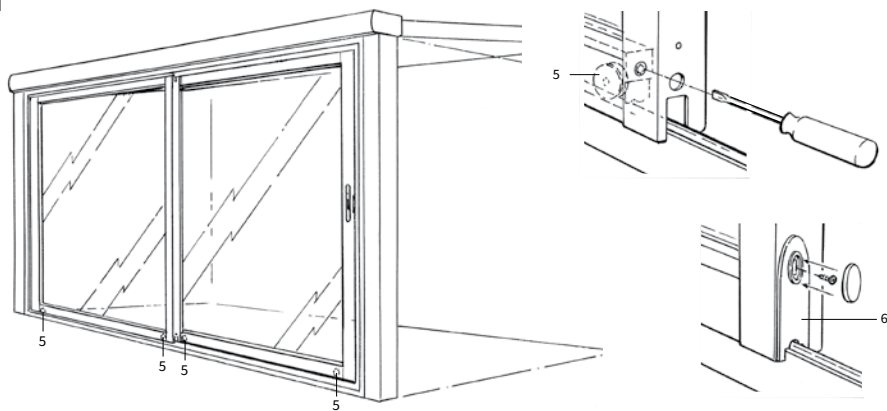
3



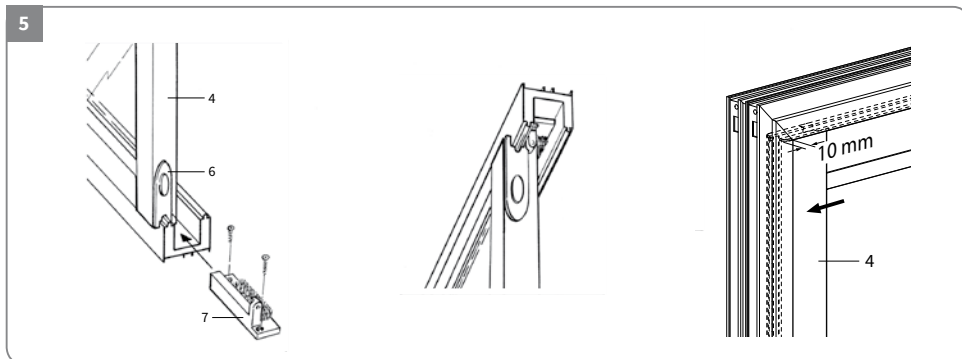
Install the sliding window part (3) to the rail (1) (inside rail).

Attention! Wheels underneath.

4

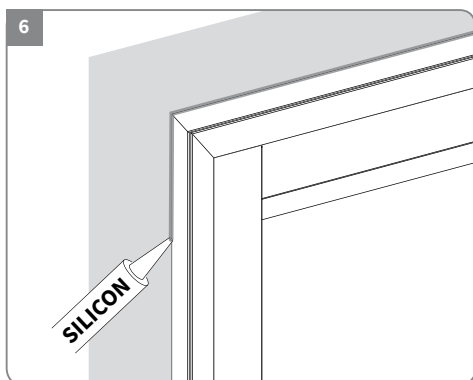


- Make sure that the sliding door moves smoothly.
- Set the wheels (5), if necessary.
- Screw the rail cover (6) and push the small cap on (at 4 points: 2x above, 2x below).



- Secure the fixed window part using the lock bumper (7). Slide the lock bumper (7) below the fixed window part (4) against the rail cover (6) and secure with two screws.
- Repeat at the top.

Attention! Make sure the fixed window part presses as far as possible against the window frame (10 mm overlap).



Optional: use silicone for a fine finish.

MANUFACTURERS WARRANTY

controler no.

date

particulars

Warranty conditions

The factory warranty is valid only if the assembly has been executed by a certified engineer (professional placement). During the manufacturing of its products, Verano® has used the greatest precision. However, if during the normal use and maintenance within 5 years after the purchase date, there are faults resulting from manufacture or construction errors, provided that all the instructions concerning the correct use and maintenance have been followed, Verano® will put at the dealer's disposal the replacement material, for free.

Warranty:







- The term is not extended or renewed because of repair or the replacement of faulty parts;
- Does not include the replacement of fuses, limit switches and slide contacts;
- It is Verano®'s obligation to give to the buyer whatever right to compensation or dissolution of the purchase contract;
- Verano® reserves its right, without previous notification, to carry out changes in its products;
- All our transactions occur according to the conditions deposited at the Chamber of Commerce in Eindhoven under number 17119924;
- Small colour changes can occur due to the fact that the ordered colours are manufactured according to the number or that a present steel colour is imitated;
- The paintwork is not resistant to strong chemicals and /or damage with a sharp tool;
- Some colour shade can occur due to the fact that the colours can be more or less effected by UV-radiation (sun light).

The warranty elapses:

- As a result of insufficient maintenance or incorrect use;
- The sun blind is not fitted by a certified engineer;
- Normal wear resulting from use;
- Discoloration due to effects of weather;
- Faulty assembly.

The second party does not derive a right from the warranty other than the one above mentioned, especially the right to compensation in case of consequential loss and also due to faults of third parties. Also inconsequential damage will not be compensated. The second party indemnifies us against all the consequences of the other claims of his customers.

More inspiration? Follow Verano®!

-  facebook.com/Verano.nl
-  @veranobv
-  pinterest.com/veranobv
-  plus.google.com/u/0/+VeranoNL190
-  linkedin.com/company/verano-b.v.
-  veranobv

REGISTER YOUR PRODUCT ON VERANO.EU AND RECEIVE A 5 YEAR WARRANTY!

Congratulations on your purchase of this Verano® sun protection. You are ensured of many years of pleasure during the normal use of the product according to the appropriate operation and maintenance rules. All the materials used are adjusted to the user's objectives. The products are manufactured with the greatest care. If you have any comments, please send an e-mail to: info@verano.nl.

Please tear of this card and save it in your administration

MANUFACTURERS WARRANTY

REGISTER YOUR PRODUCT ON VERANO.EU AND RECEIVE A 5 YEAR WARRANTY!



Verano® dealer information