



Installation manual

Louvered roof

V880 Rapallo

Single - connected



Index

	page
Important before installation	3
Exploded view	4
Partslist	5
Single louvered roof	
1. Installation of the posts	6
2. Installation of the top frame	7
Installation of the casing profile	7
Installation of the gutter profile	8
Placing the drainage	9
3. Installation of the louvered roof	10
4. Finish	18
Connected louvered roof	
1. Installation of the intermediate posts	19
2. Installation of the top frame	20
Installation of the intermediate vessel-profile	20
Installation of the gutter profile	21
3. Finish	21
Manufacturers warranty	23

Important before installation

General warning

Installing the Verano® product yourself is at your own risk. Only use this instruction as a tool and for the installation of this specific Verano® product. If you cannot install the product yourself, you can always opt for professional installation. The installation team of Verano® is pleased to help you.

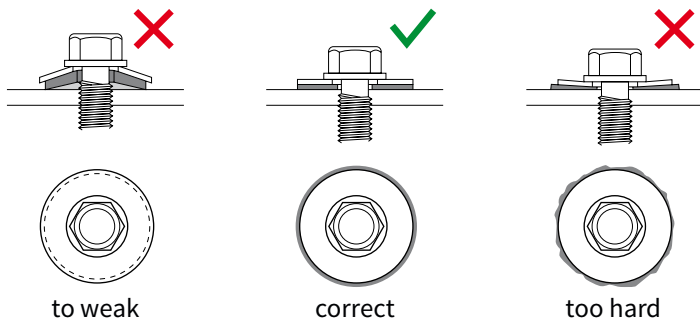
Be careful for damages

Don't use a knife or any other sharp object when opening the packing. This may cause damage to the content of the assembly. Put the content of the assembly on a soft surface.

Be careful when drilling, falling drill cuttings can cause damages.

Warning:

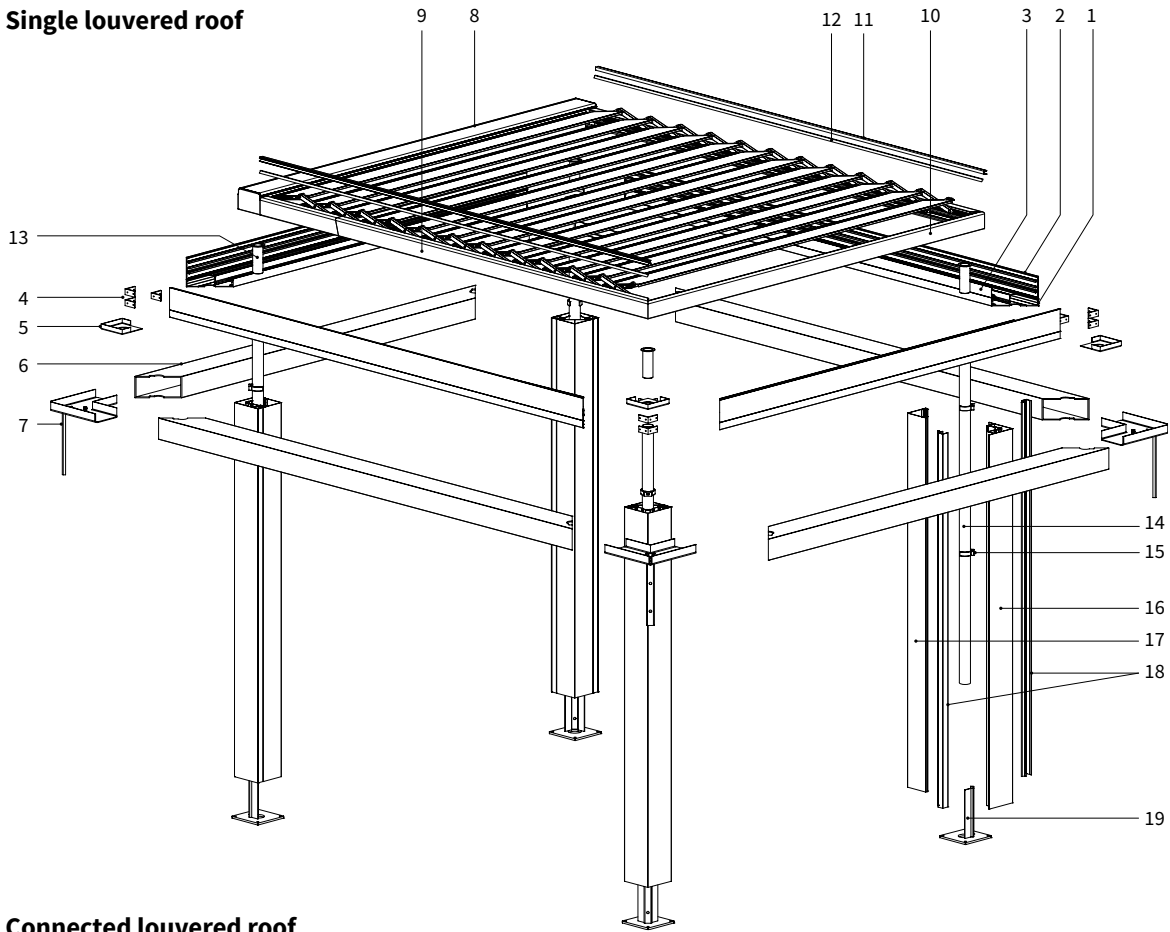
To prevent leakages do not overtighten bolts and washers!



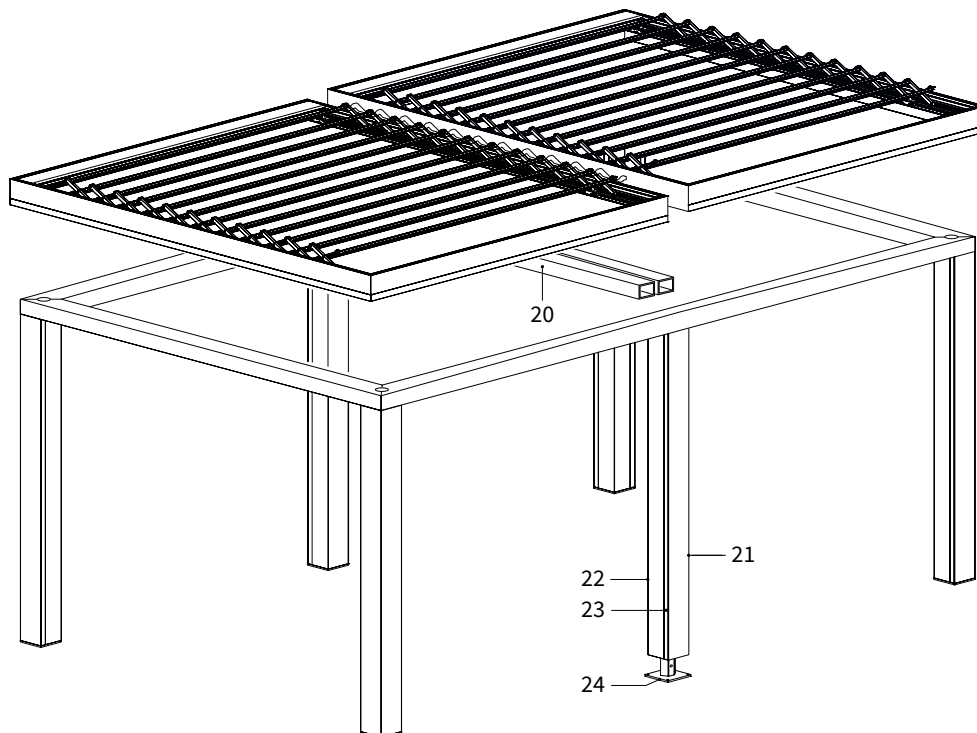
diameter 4,8 mm rotation speed 1.800 tr/min torquemoment 25 kg

Exploded view

Single louvered roof



Connected louvered roof



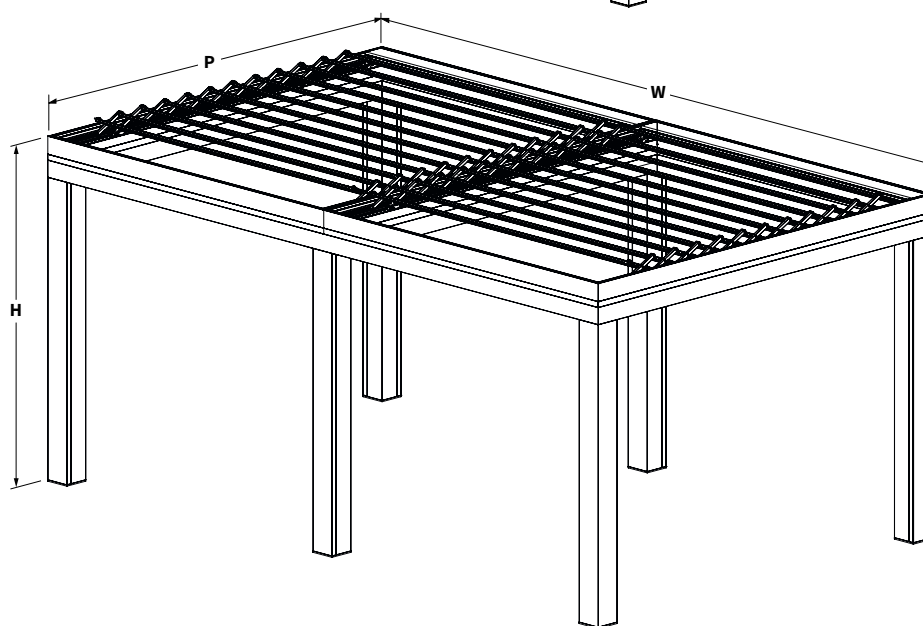
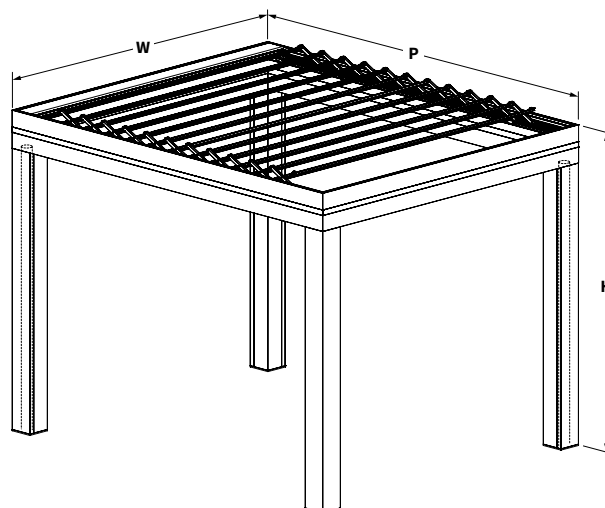
Partslist

Single louvered roof

1. Gutter profile
2. Gutter click profile
3. Click-frame gutter profile
4. Gutter connection
5. Corner plate
6. Casing profile
7. Corner reinforcement casing profile/post
8. Louvered roof with motorbox
9. Lateral guides
10. Rear profile
11. Cover profile
12. Rubber
13. Gutter outlet
14. Drain-pipe Ø 50 mm
15. Clamp drain-pipe
16. Post
17. Post cover
18. Filling profile post
19. Base plate

Connected louvered roof

20. Intermediate vessel-profile
21. Intermediate post
22. Cap intermediate post
23. Filling profile intermediate post
24. Footplate intermediate post



Warning! The V880-Rapallo is seen as a pergola. Therefore, the roof needs to be open during snowfall.

B = width

P = projection

H = height

Comment water drainage

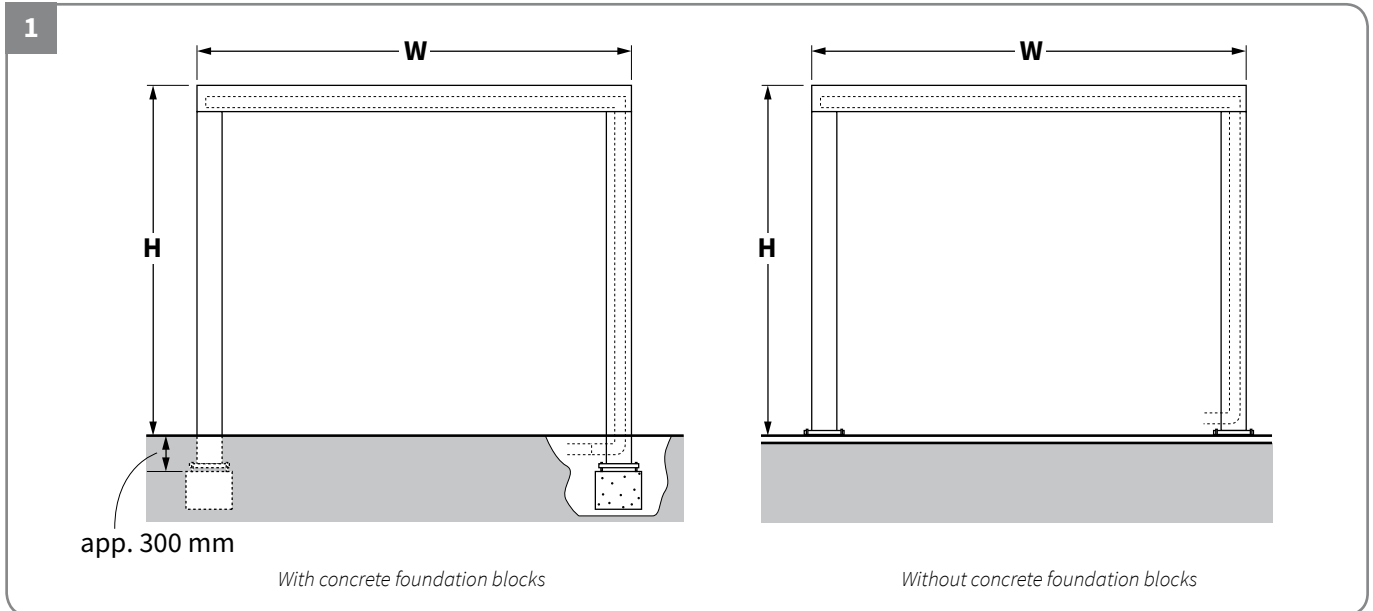
If the roof is smaller than 4000 x 4000 [mm], the drainage is prepared in two corner posts (diagonal positioned).

If the roof is larger than 4000 x 4000 [mm], the drainage is prepared in all corner posts, but desired in all posts.

If façade installation is chosen, extra water drainage is necessary in several posts. Positioning in consideration.

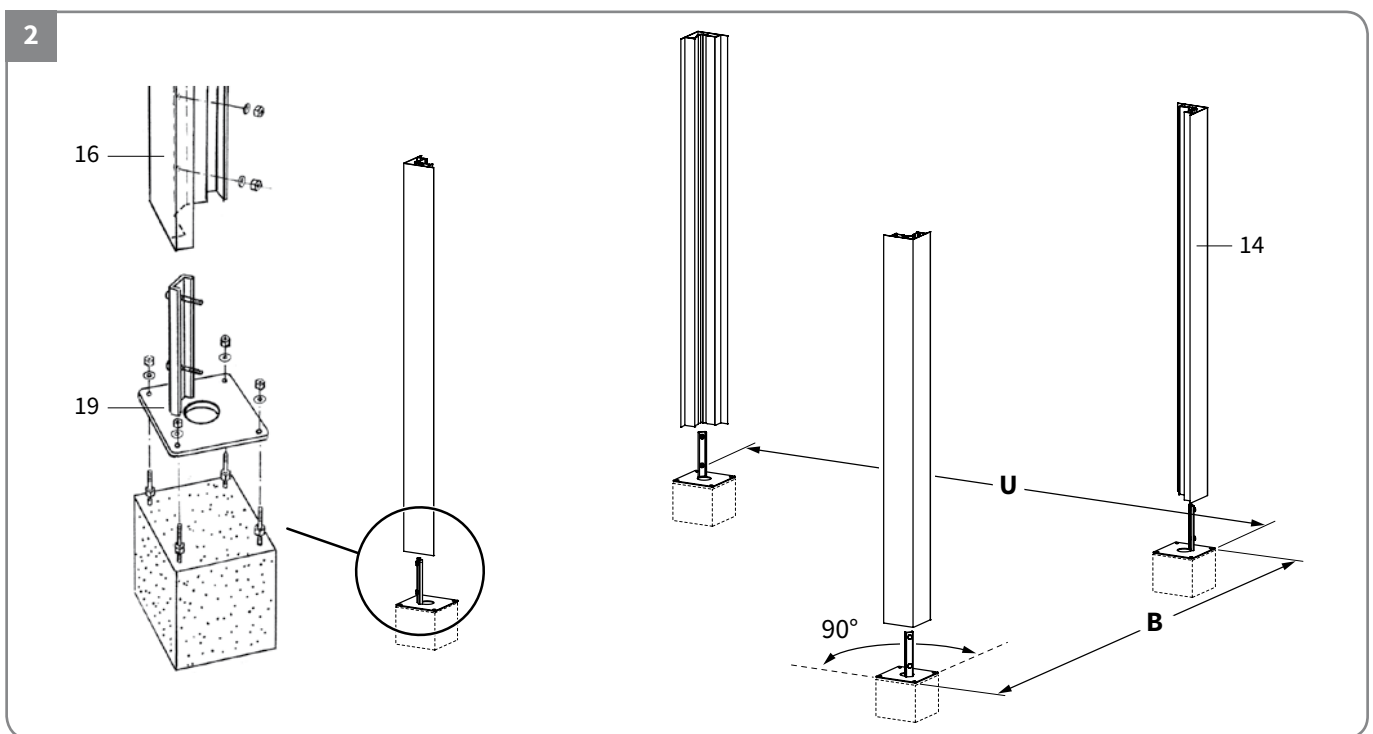
Single louvered roof

1. Installation of the posts



Foundation

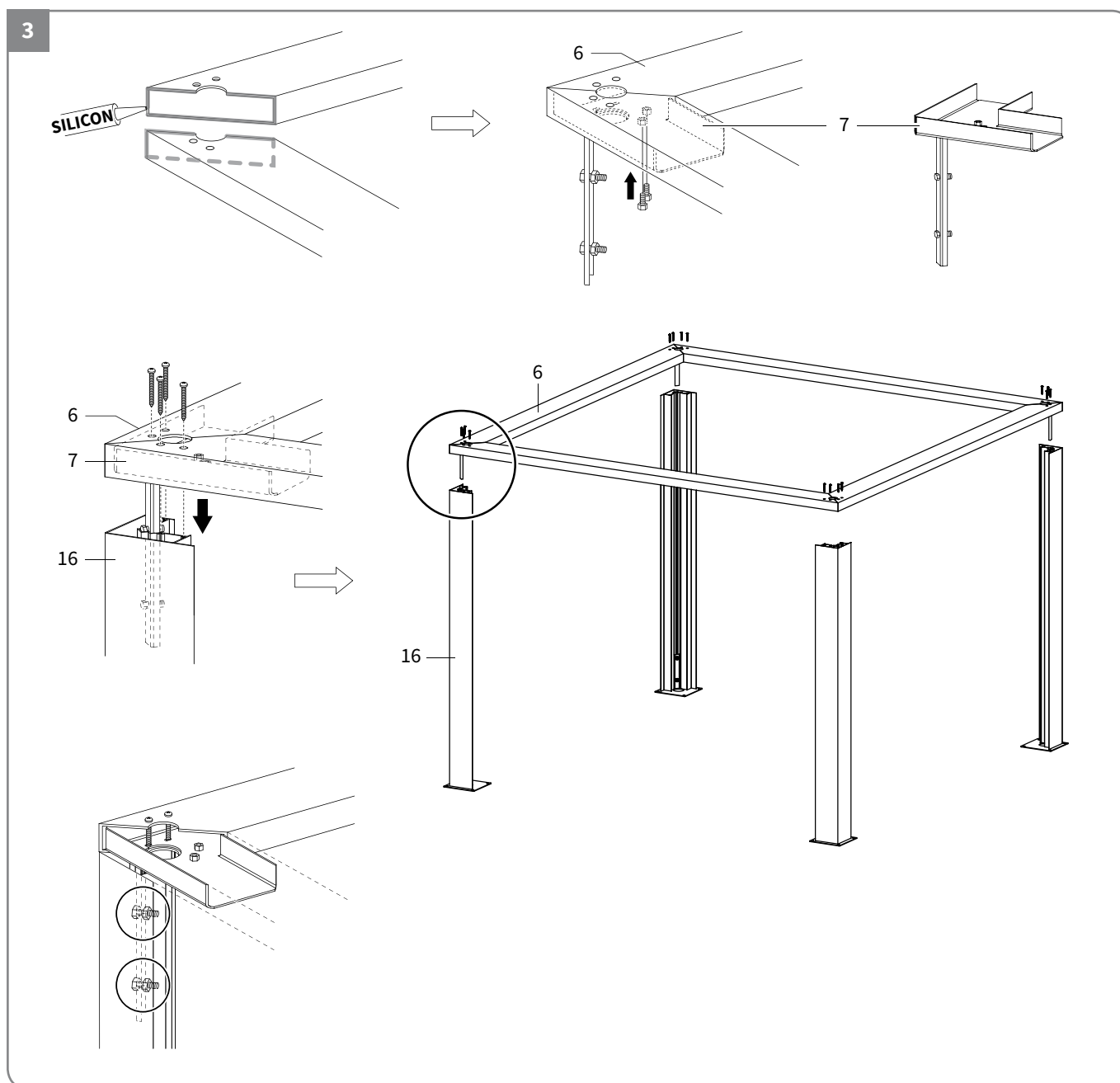
For stability we recommend using concrete foundation blocks. If the V880-Rapallo is installed onto heavy patio tiles, this will serve as a foundation.



Installation of the posts (14)

- Place the concrete foundation blocks.
- Tighten the four base plates (19) temporarily.
- Install the posts (16).

2. Installation of the casing profile

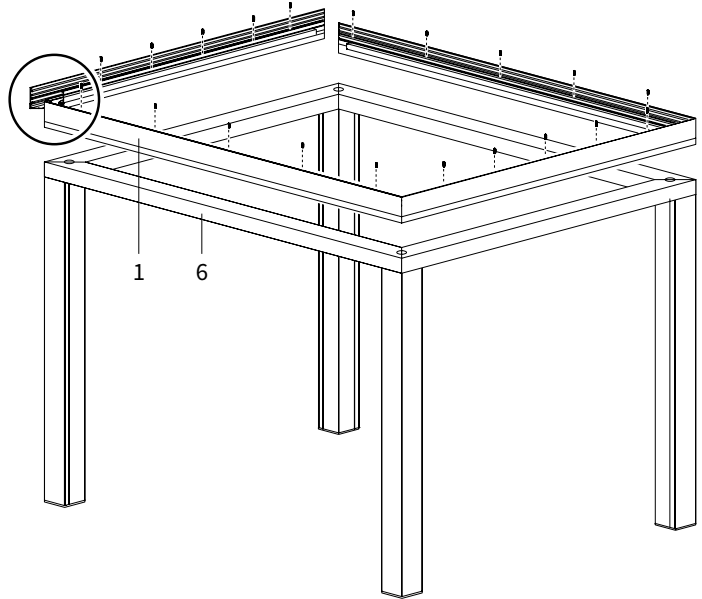
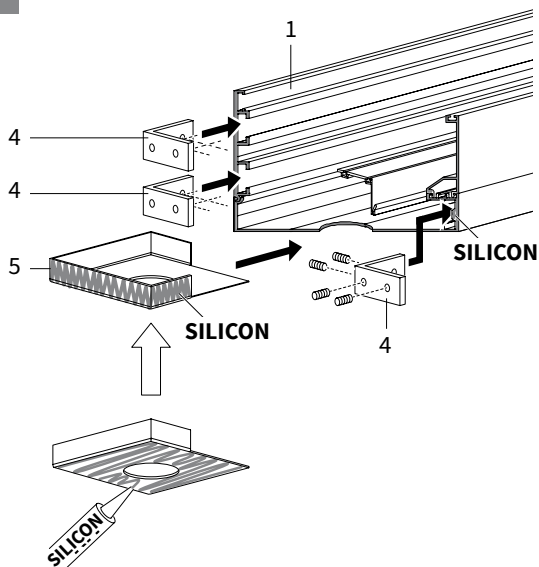


Installing the casing profile (6) with the corner reinforcement (7)

- Seal the complete edge of the casing profile before installation.
- Slide the corner reinforcement into the casing profile. Make sure that you slide the correct profile-length on the correct side of the corner reinforcement.
- The corner reinforcement has two nuts on it. Tighten the casing profile from below onto the corner reinforcement with included bolts.
- Mount the casing profiles onto the posts (16). Install with included sheet metal screws.
- Mount the corner reinforcement on the inside of the post by tightening the two nuts.

The base of the V880-Rapallo is ready after the installation of the casing profile.
 You can now adjust the V880-Rapallo using the screws in the base plate.

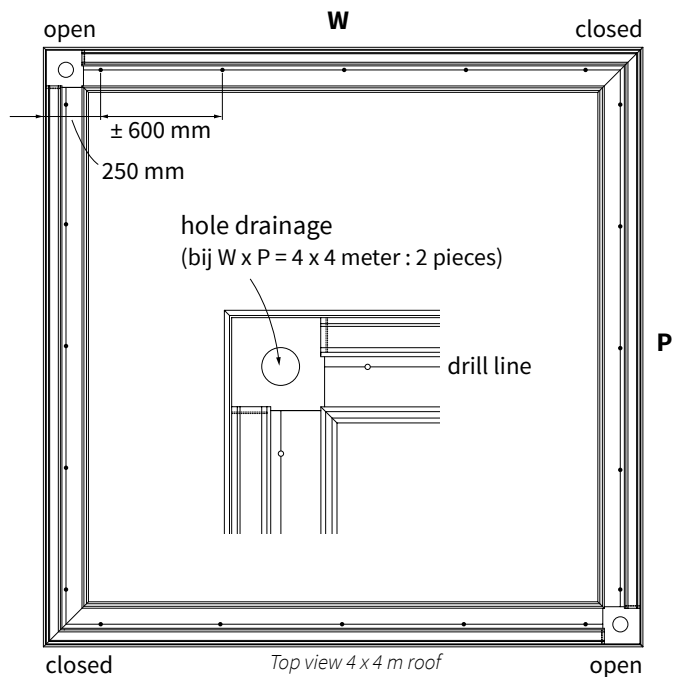
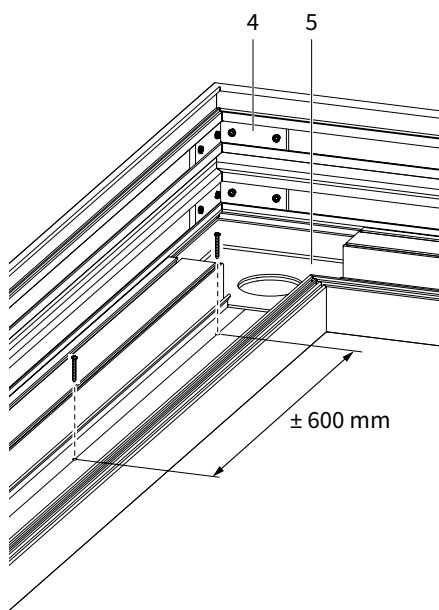
4



Installation of the gutter profile (1)

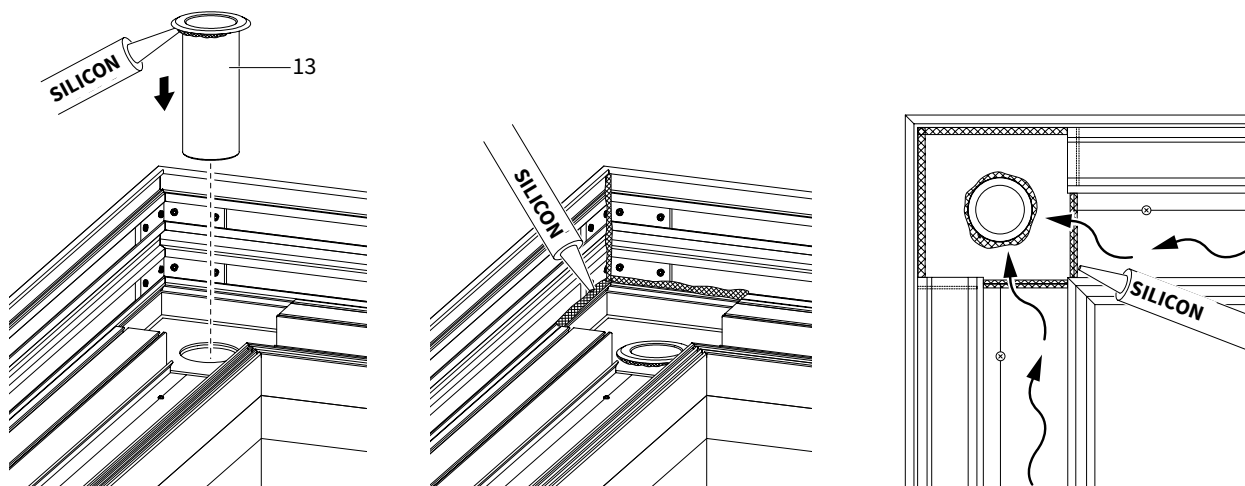
- Seal the edges of the gutter profile before the installation. Apply this on every corner.
- Slide three gutter connections (4) on every corner in the gutter profile and tighten them with grub screws.
- Place a corner plate (5) on the corners with drainage. First seal the complete bottom and sides of the corner plate!
- Place the gutter on the casing profile (6).

5



Tighten the gutter on the casing profile using screws on the drill line.
Make sure that the gutter fits well on the casing profile.

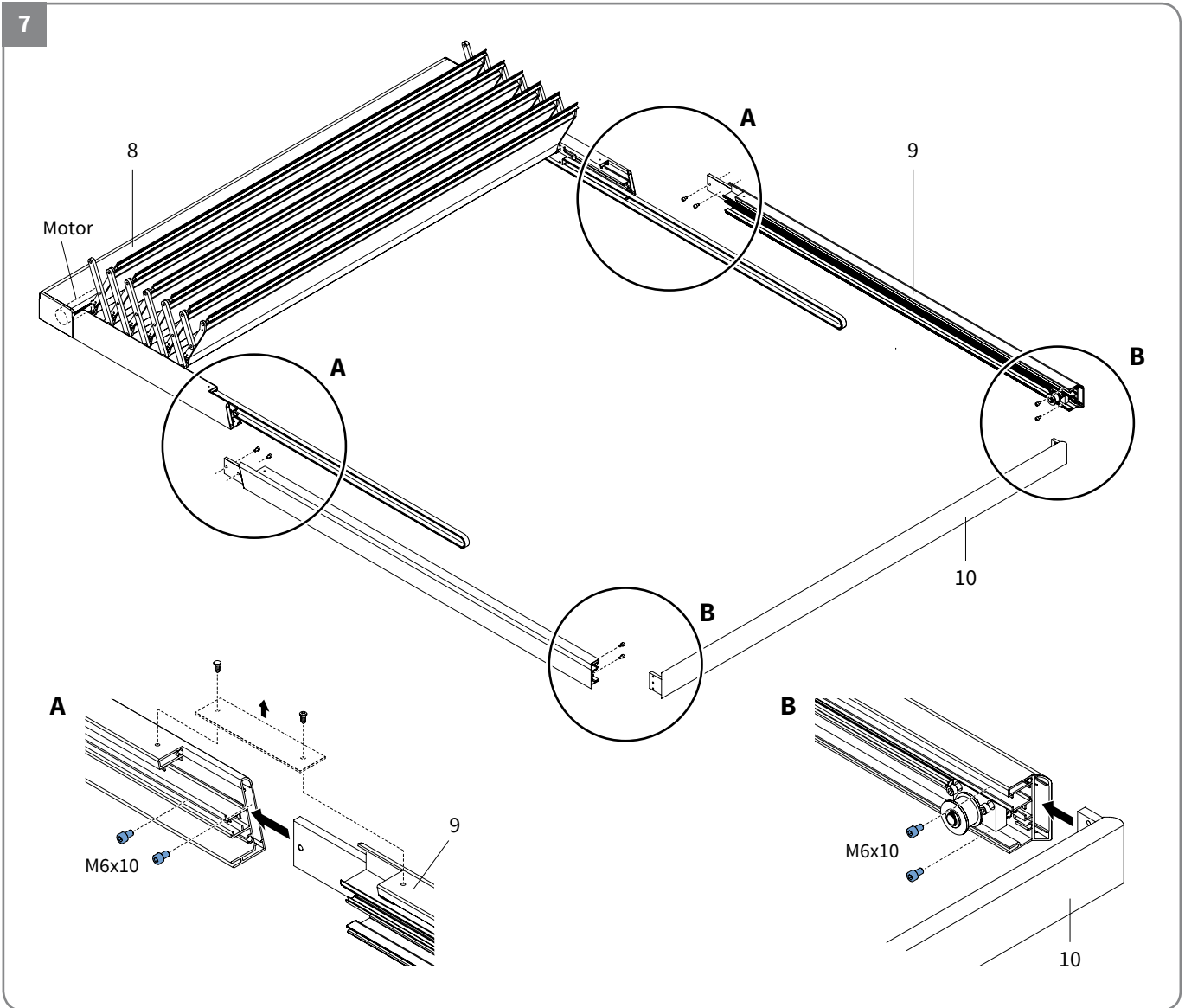
6



Placing the drainage

- Place the gutter outlet (13) in the corners with drainage.
- Seal the corner plate and gutter outlet well with sealant to make sure all of the rainwater will be discharged through the drain grates.
- Also seal the corners without water drainage at all seams!

3. Installation of the louvered roof



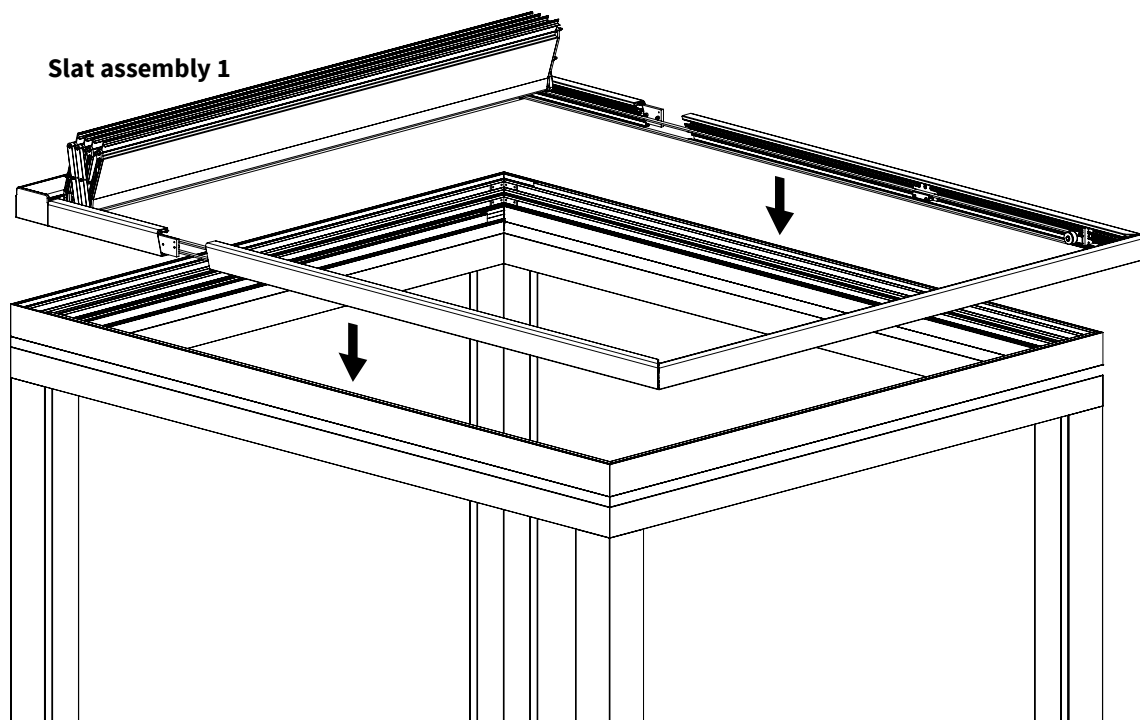
Installation of the lateral guides (detail A)

- Slide the lateral guides (9) in the guides that are connected to the motorbox (8). If necessary, first de-install the cover.
- Fixate with the stainless steel screws M6 x 10.

Installation of the rear profile (detail B)

- Slide the rear profile (10) in the lateral guides.
- Fixate with the stainless steel screws M6 x 10.

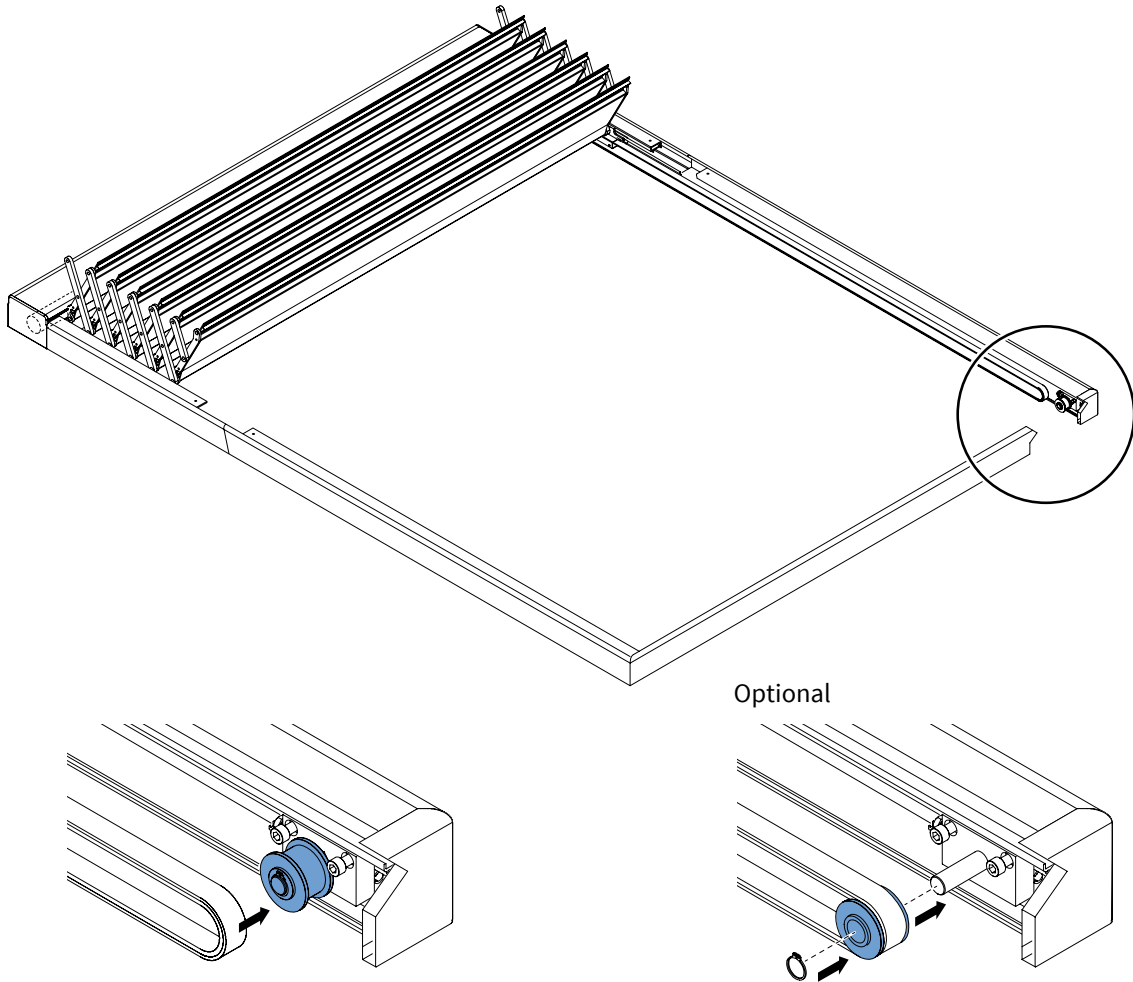
8



Installation of of the louvered roof

- Lower the louvered roof into the gutter.

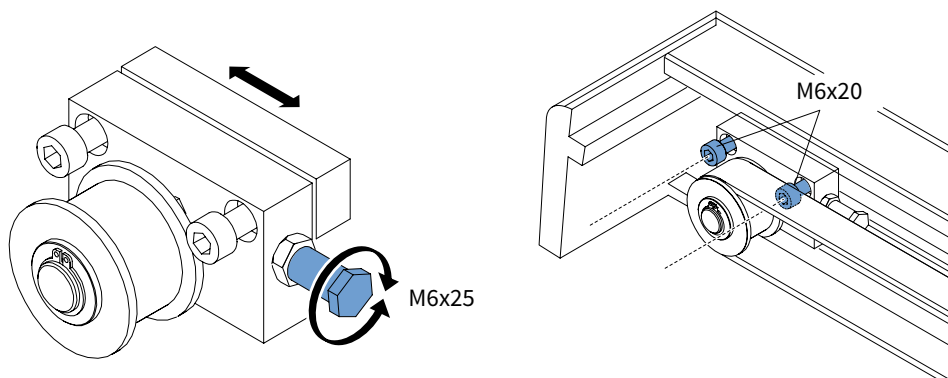
9



Installation of the motor belt

- Slide the motor belt over the idler pulley in the lateral guide.
- Optional: loosen the idler pulley from the axle, place the motor belt around, install the idler pulley again and secure with a ring.

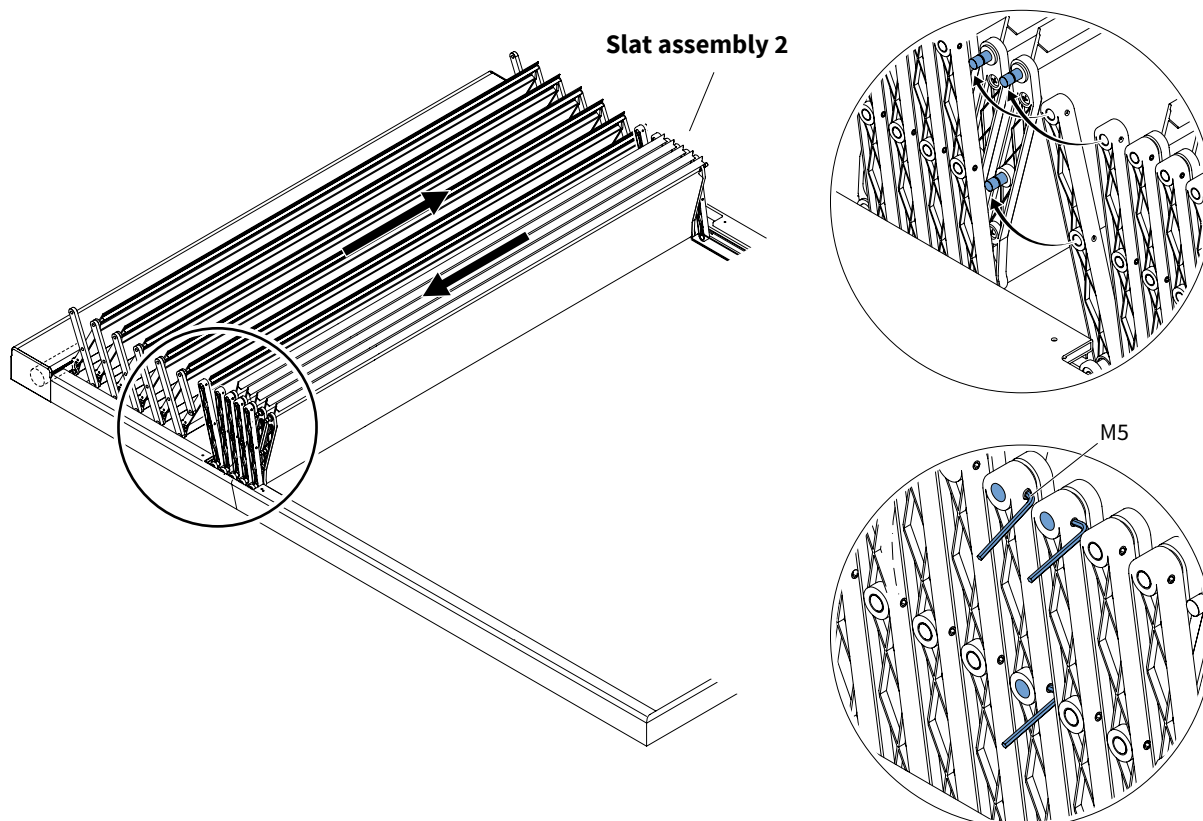
10



Tensioning the motor belt

- Loosen screw M6 x 25 anticlockwise. Tension the motor belt by sliding the idler pulley.
- After the motor belt has been tensioned, the pulley support block needs to be fixated to the lateral guide by tightening the stainless steel screws M6 x 20.

11

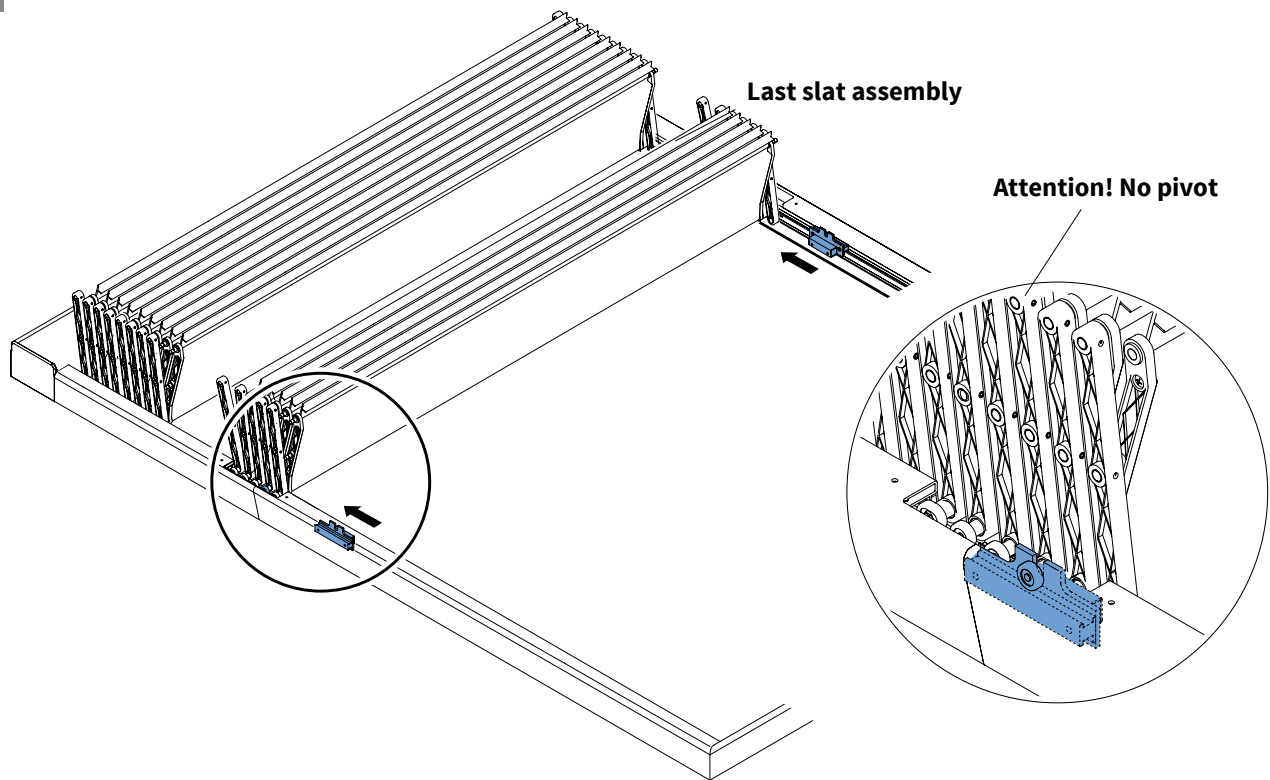


Inserting slat assembly 2

- Insert slat assembly 2 into the pocket in the lateral guides.
- Take care to hook the slat pivots into the slat levers.
- When they are all hooked together, tighten with the M5 grub screws.

Repeat the same operation for all subsequent slat assemblies.

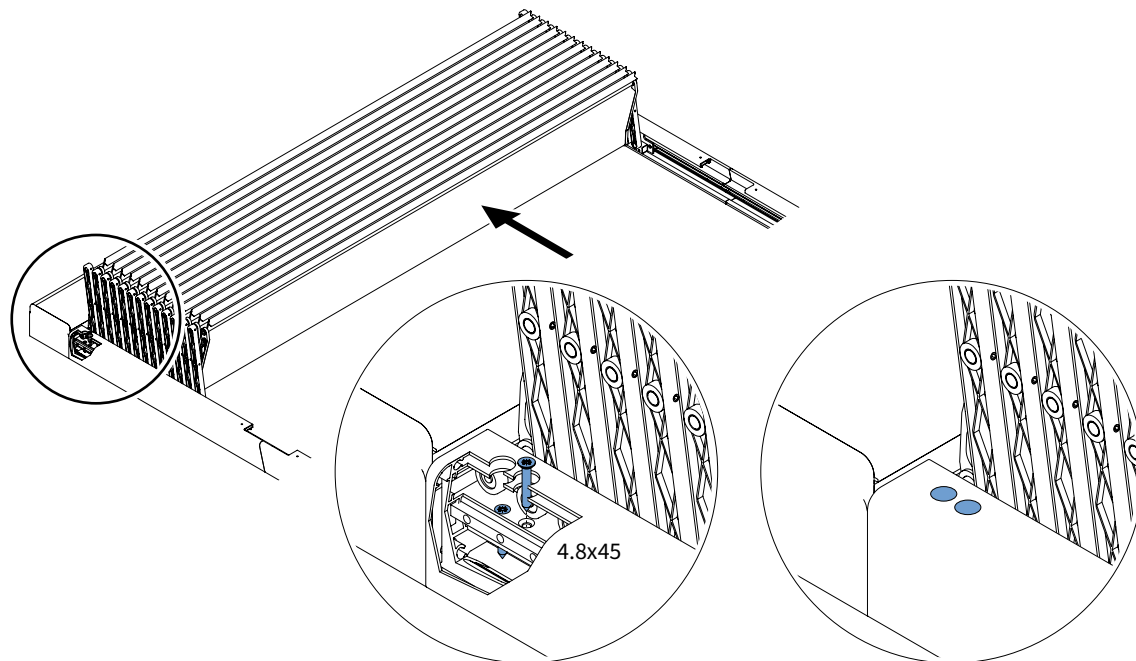
12



Inserting the last slat assembly

- After inserting all the central slat assemblies, the last slat assembly must be inserted.
- Move the slide on the motor belt to the pocket in the lateral guide using the remote control.
- Hook the second to last pivot of the assembly into the slide.
- Take care to hook the slat pivots into the slat levers. When they are all hooked together, tighten with the M5 grub screws. (see step 11).

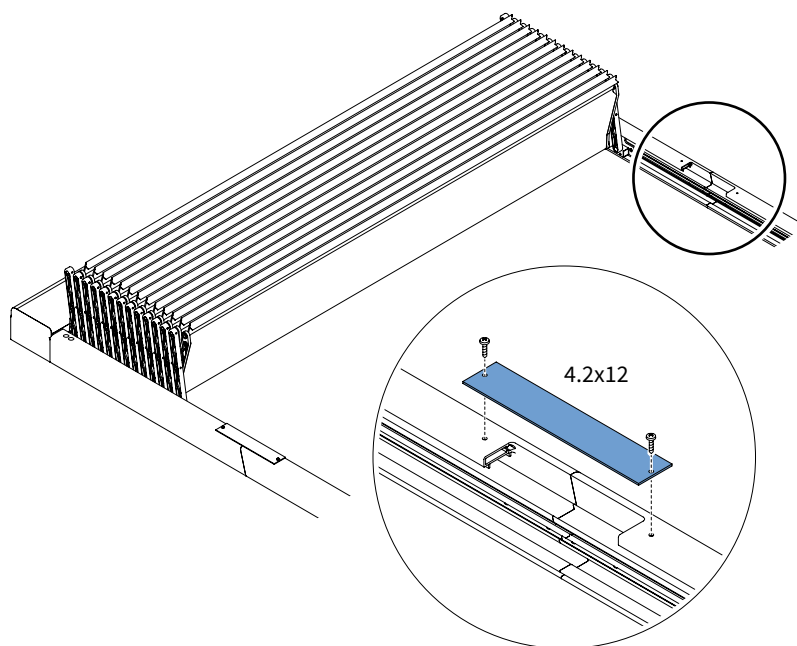
13



Checking the securing of the upper slat

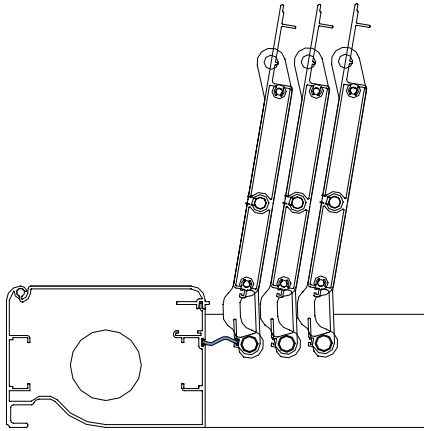
- Move all the slats to the motorbox using the remote control.
- De-install the screw covers.
- Check, on both sides, if the first slat is fixated firmly to the upper slat fixing slide with two 4.8 x 45 mm screws.
- Close the holes in the lateral guides using the screw covers.

14



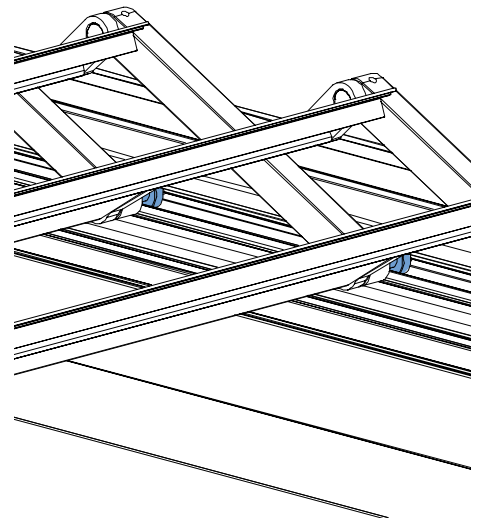
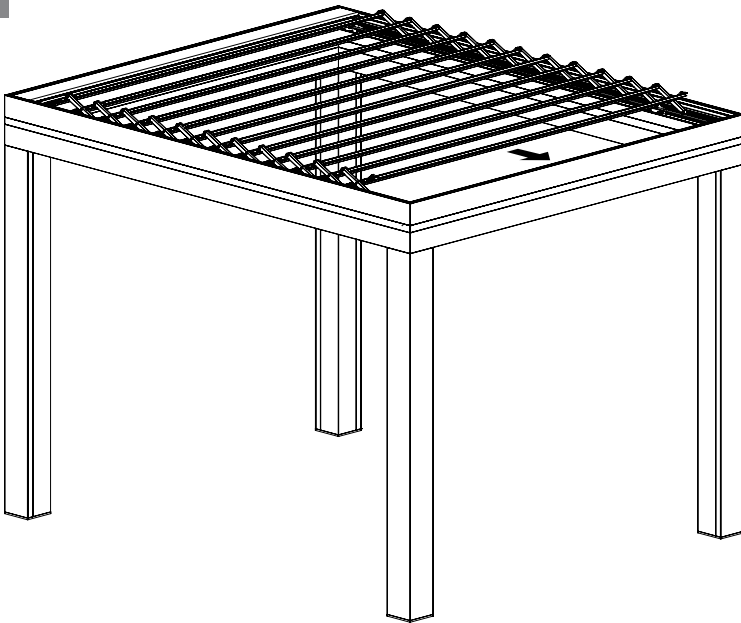
- Close the insertion pocket in the lateral guides with the cover.
- Fix it with two 4.2 x 12 mm screws.

15



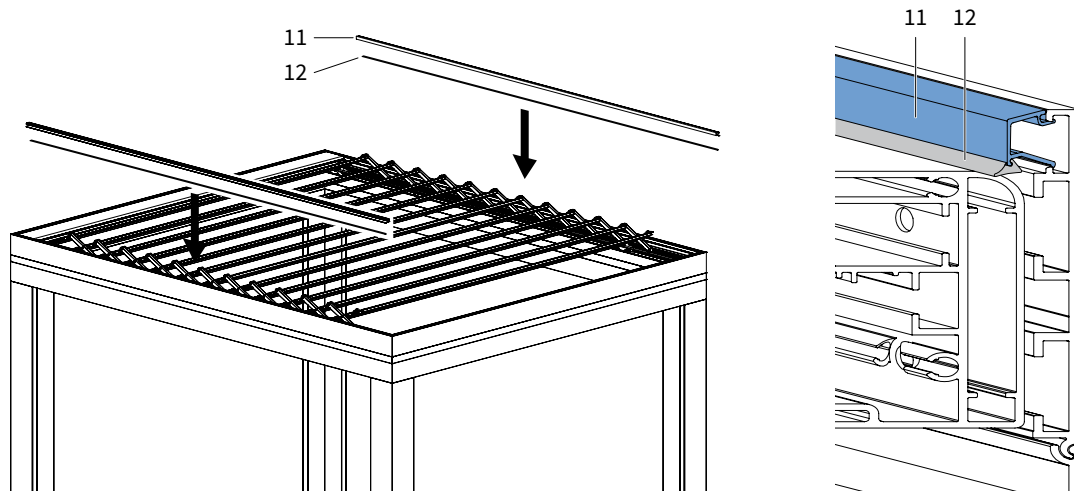
Check the seal between the slat assembly and the motor box.

16



- Close the louvered roof using the remote control and check if all the bearings run correctly inside the guides.

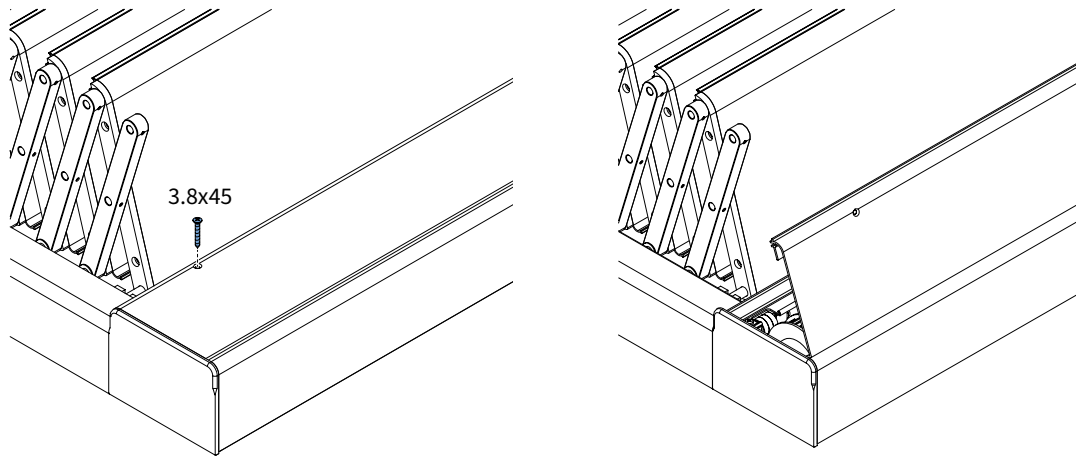
17



- Push the rubber (12) in the cover profiles (11).
- Click the cover profile to the left- and right guide profile.

4. Finish

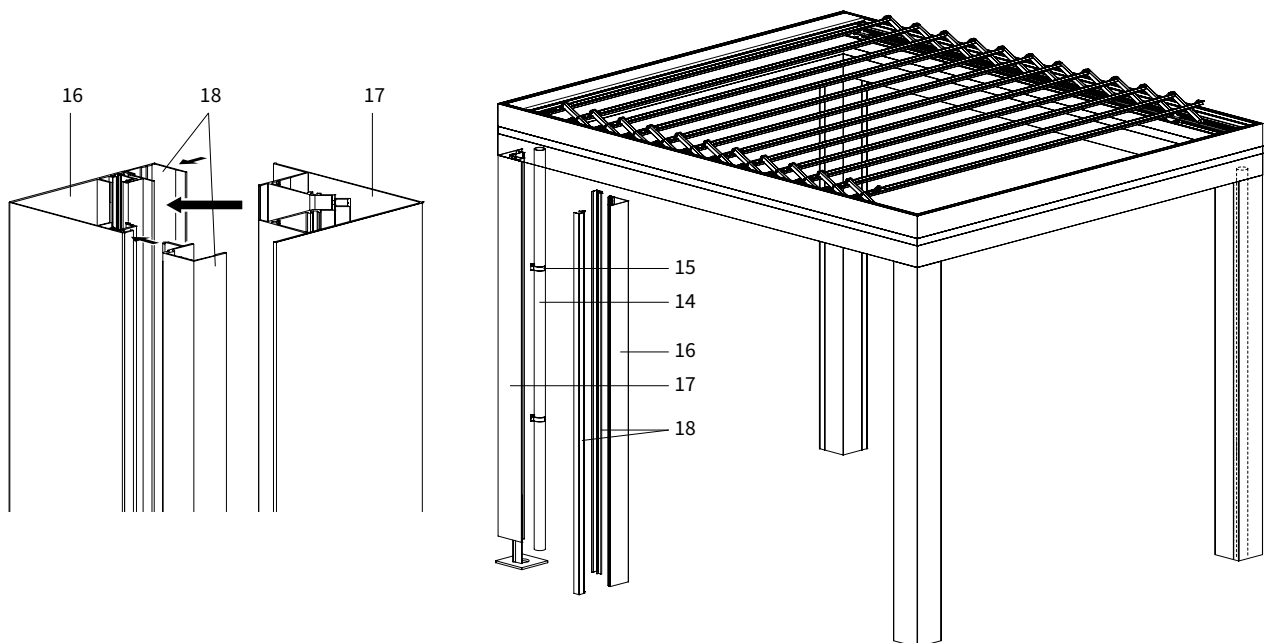
18



Motor cable hole

- Open the hatch of the box to gain access to the motor cable.
- Determine the location of the cable output and drill a hole.
- Fixate the cable to prevent disruption of the motor belt and the pulley mechanism.
- To set the motor, follow the manual.
- Close the hatch of the box.

19



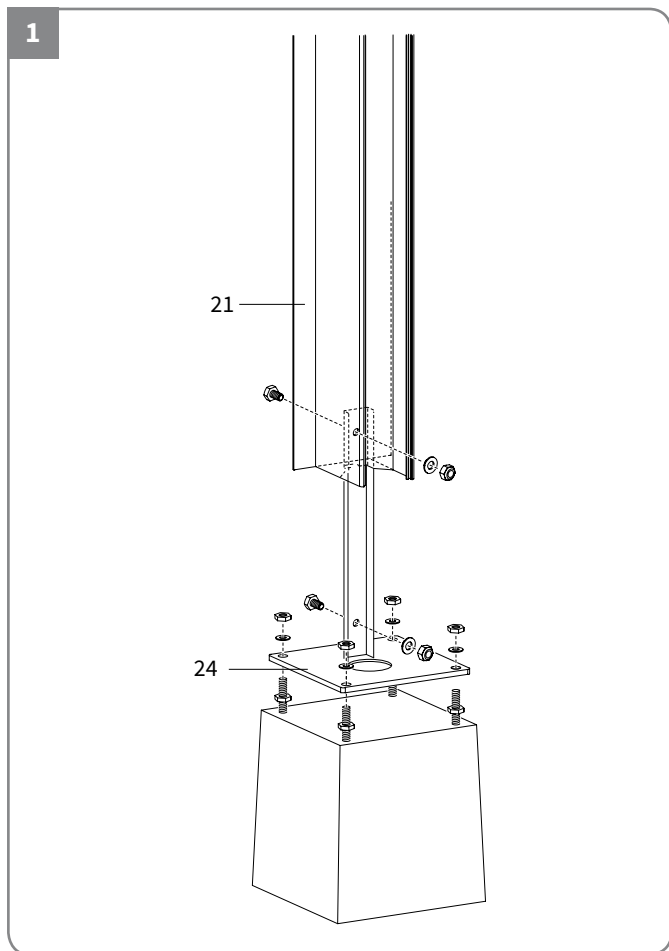
Placing the drain-pipes and finishing the posts

- Fixate the drain-pipes (14) with the included clips (15).
- Install the cover of the post (17) and both filling profiles (18). These are the same length as the posts (16) and can optionally be shortened.
- If desired, realize a connection with the sewer.

Installation linked louvered roofk

Before you install a linked louvered roof, please follow the same procedures as for a single roof. Only the installation of optional intermediate posts and intermediate vessel-profiles differs.

1. Installation of the intermediate posts



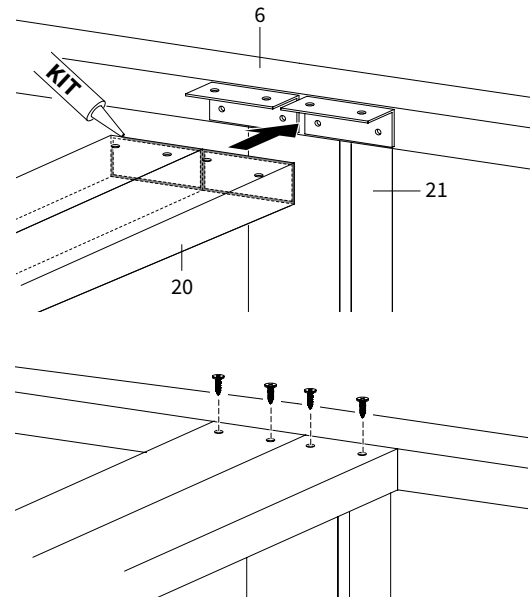
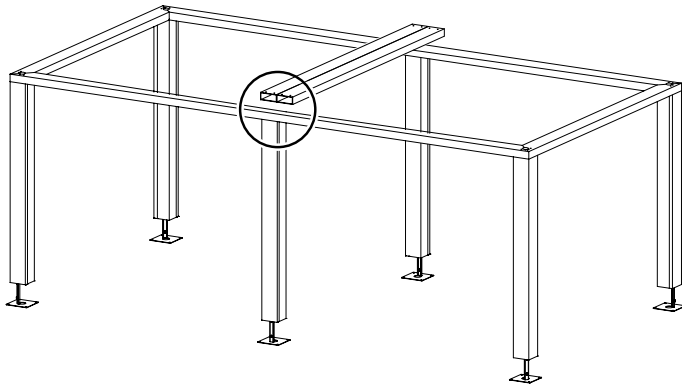
- Install the foundation blocks.
- Temporary fixate the two footplates (24) for the intermediate posts.
- Install the intermediate posts (21).

2. Installation of the top frame

Installation of the intermediate vessel-profiles (20)

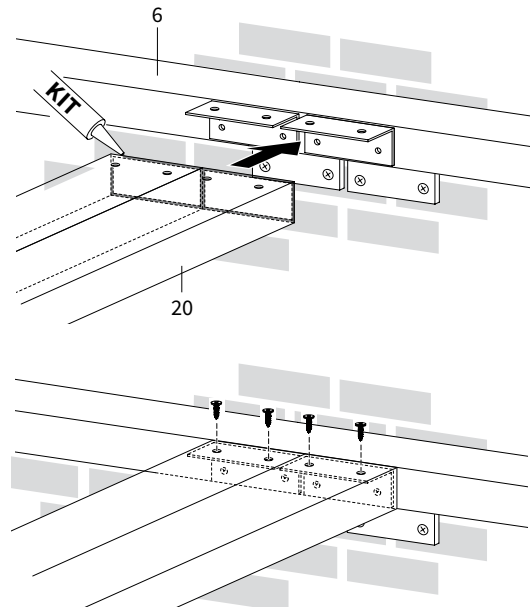
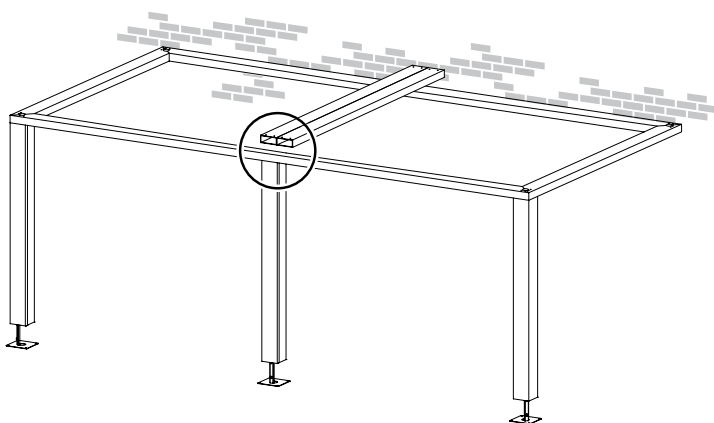
- Seal the edges of the intermediate vessel-profiles before installation.

2A Freestanding, 6 posts



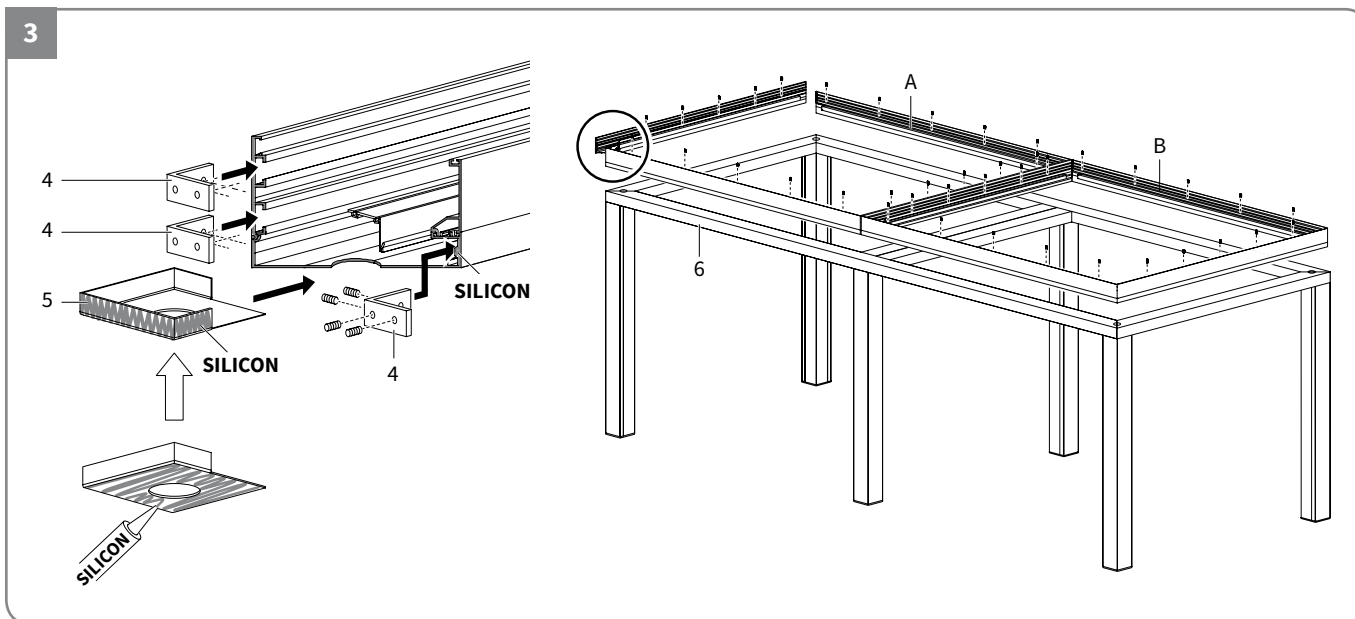
- Slide the two intermediate vessel-profiles (20) to the corner brackets which are already pre-installed to the vessel-profile (6).
- Install the included screws.

2B Façade installation with wall support, 2 or 3 posts



- Slide the intermediate vessel-profiles (20) to the corner brackets which are already pre-installed to the vessel-profile (6).
- Install the included screws.

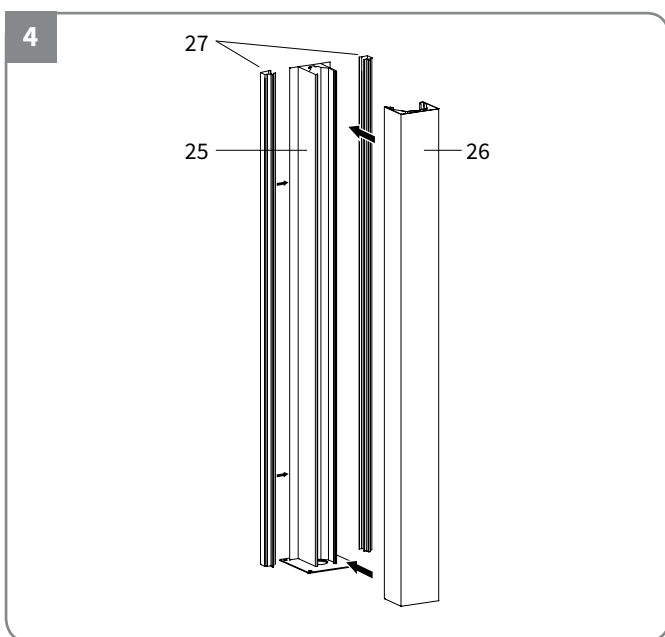
After the installation of the vessel-profile and the intermediate vessel-profiles, the basis is ready.
Now you can start the setting by using the screws in the footplate.



Installation of the gutter (A + B)

- Slide three corner connections (4) on every corner to the gutter profile and fixate with the allen screw.
- Place the corner plate (5) to the corners with water drainage. First seal around the corner plate and bottom!
- Install both gutters to the vessel-profile (6).

3. Finish



Install the cap (22) and the filling profiles (23) to the intermediate post (21). These have the same length as the intermediate post (21) and these may need to be shortened.

MANUFACTURERS WARRANTY

controler no.

date

particulars

Warranty conditions

The factory warranty is valid only if the assembly has been executed by a certified engineer (professional placement). During the manufacturing of its products, Verano® has used the greatest precision. However, if during the normal use and maintenance within 5 years after the purchase date, there are faults resulting from manufacture or construction errors, provided that all the instructions concerning the correct use and maintenance have been followed, Verano® will put at the dealer's disposal the replacement material, for free.

Warranty:







- The term is not extended or renewed because of repair or the replacement of faulty parts;
- Does not include the replacement of fuses, limit switches and slide contacts;
- It is Verano®'s obligation to give to the buyer whatever right to compensation or dissolution of the purchase contract;
- Verano® reserves its right, without previous notification, to carry out changes in its products;
- All our transactions occur according to the conditions deposited at the Chamber of Commerce in Eindhoven under number 17119924;
- Small colour changes can occur due to the fact that the ordered colours are manufactured according to the number or that a present steel colour is imitated;
- The paintwork is not resistant to strong chemicals and /or damage with a sharp tool;
- Some colour shade can occur due to the fact that the colours can be more or less effected by UV-radiation (sun light).

The warranty elapses:

- As a result of insufficient maintenance or incorrect use;
- The sun blind is not fitted by a certified engineer;
- Normal wear resulting from use;
- Discoloration due to effects of weather;
- Faulty assembly.

The second party does not derive a right from the warranty other than the one above mentioned, especially the right to compensation in case of consequential loss and also due to faults of third parties. Also inconsequential damage will not be compensated. The second party indemnifies us against all the consequences of the other claims of his customers.

More inspiration? Follow Verano®!

-  facebook.com/verano.nl
-  @veranobv
-  pinterest.com/veranobv
-  plus.google.com/u/0/+VeranoNL190
-  linkedin.com/company/verano-b.v.
-  veranobv

REGISTER YOUR PRODUCT ON VERANO.EU AND RECEIVE A 5 YEAR WARRANTY!

Congratulations on your purchase of this Verano® sun protection. You are ensured of many years of pleasure during the normal use of the product according to the appropriate operation and maintenance rules. All the materials used are adjusted to the user's objectives. The products are manufactured with the greatest care, If you have any comments, please send an e-mail to: info@verano.nl.

Please tear of this card and save it in your administration



Verano® dealer information

MANUFACTURERS WARRANTY

REGISTER YOUR PRODUCT ON VERANO.EU AND RECEIVE A 5 YEAR WARRANTY!