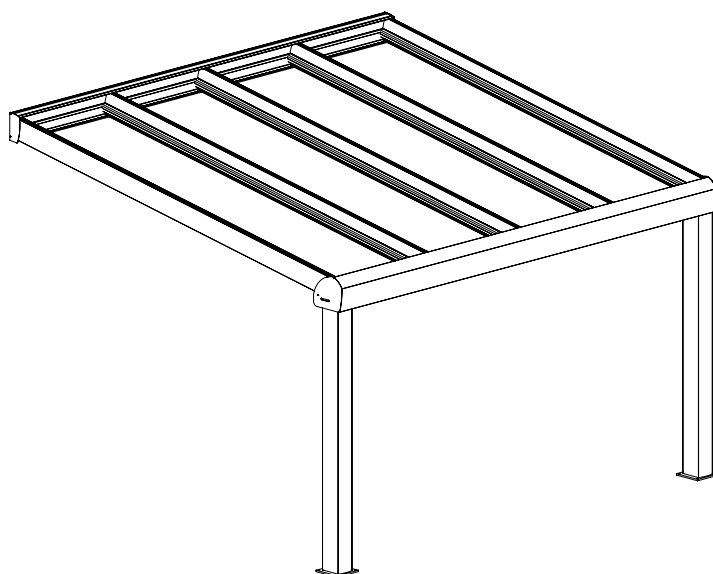


Installation manual

Veranda

V920 Riva

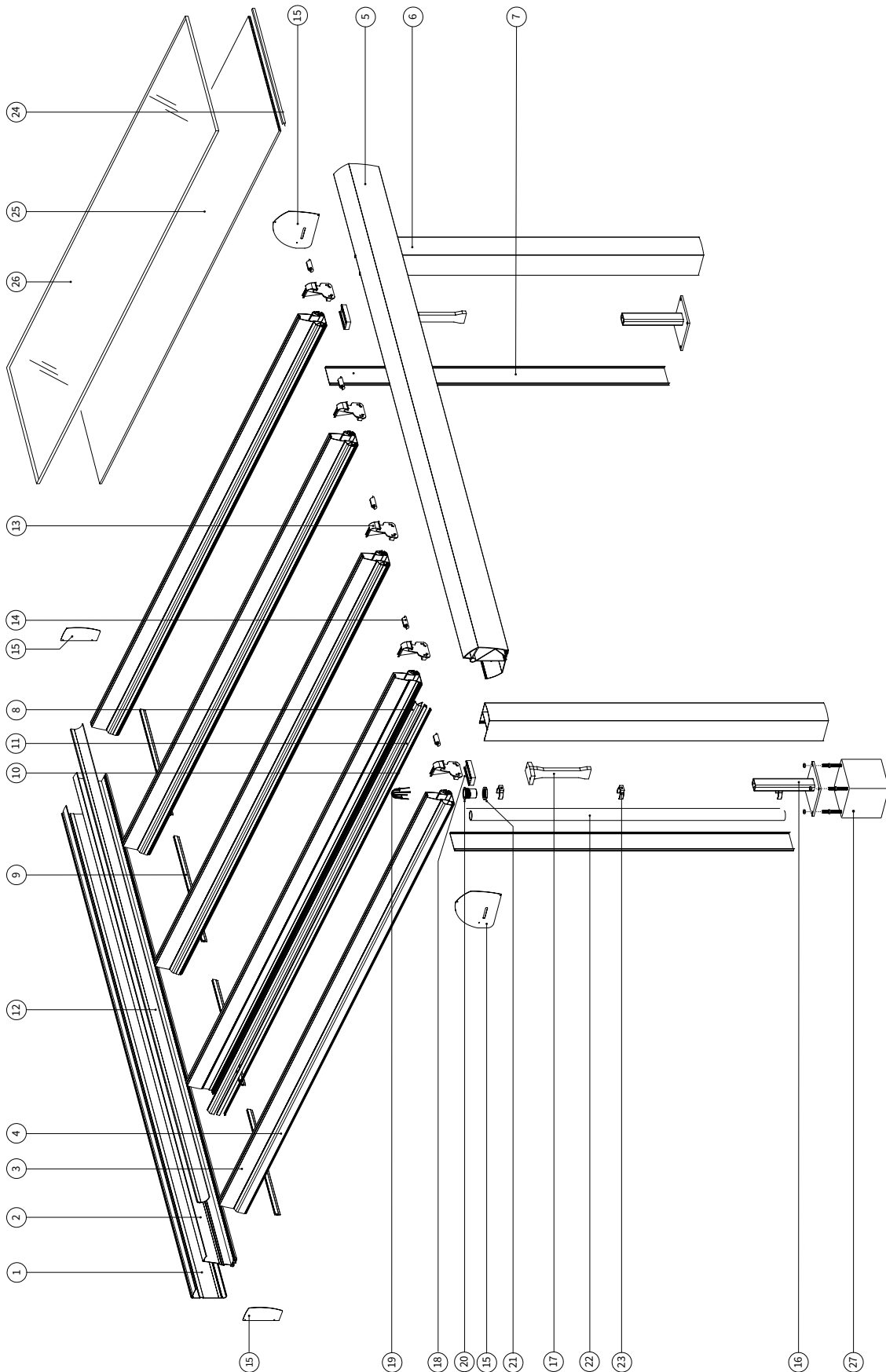


Verano[®]

Index

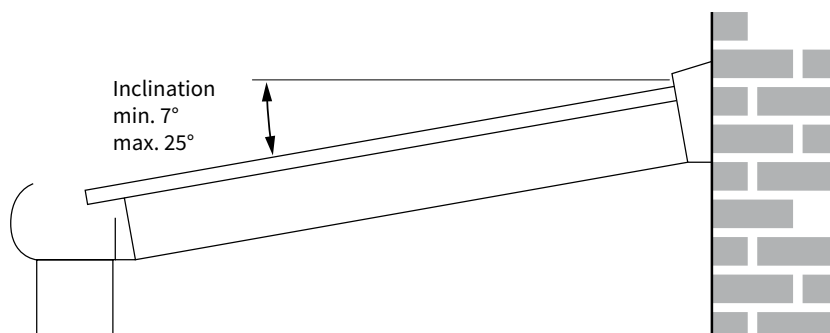
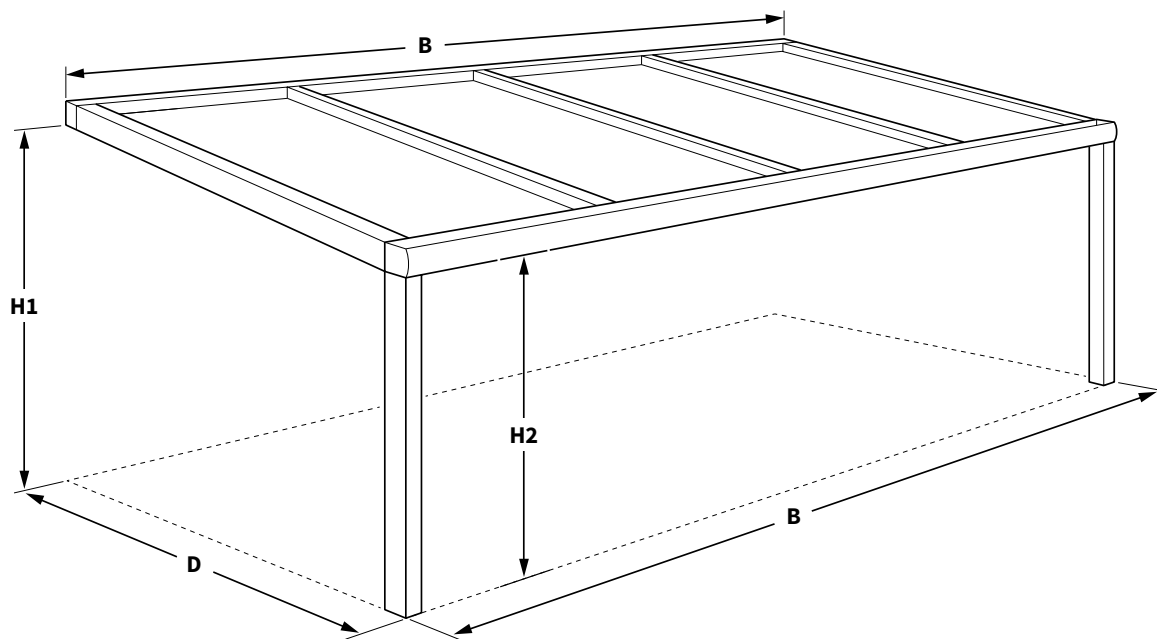
	page
Exploded view	2
Summary of the parts	3
Required tools	4
Important before installation	4
1. Mounting the wall profile	5
2. Fixing the tilt profile	6
3. Gutter and Post	7
4. Footplate	8
5. Laying the two end profiles (outer beams)	9
6. Positioning and lining up	10
7. Anchoring the Footplate	10
8. Laying the beam profiles	11
9. How to lay the glass/polycarbonate panels	12
10. Direction of mounting	12
11. Inserting the rubber wall strips	13
12. Placing glass roofing panels and rubber strips	14
13. Drain pipe and post click profile	15
Processing the polycarbonate roof panels	16
CE-statement	19
Manufacturers Warranty	22

Exploded view



Summary of the parts

- | | |
|---|-------------------------------------|
| 1. Wall profile | 21. Waste duct nut |
| 2. Tilt profile | 22. Drain pipe \varnothing 50 mm |
| 3. Beam profile | 23. Drain pipe bracket |
| 4. End frame beam | 24. Condensate profile (poly) |
| 5. Gutter profile | 25. Glass |
| 6. Post | 26. Polycarbonate |
| 7. Post click profile | 27. Concrete foundation block |
| 8. Glass strip | Compri tape |
| 9. Rubber for tilt profile | |
| 10. Glass rubber strip - below | A Crosshead screw DIN 7970 4.8 x 27 |
| 11. Rubber strip for glass (a) or polycarbonate (b) - above | B Crosshead screw DIN 7981 4.5 x 2 |
| 12. Rubber wall profile | C Locking screw DIN 916 M5x20 |
| 13. Casting beam/gutter | D Bolt DIN 912 M12 x 30 |
| 14. T connector | E Washer DIN 125 M12 |
| 15. Side plates (wall and gutter profile) | F Blind rivet nut M122 |
| 16. Footplate | |
| 17. Coupling Post/gutter | |
| 18. Coupling Aluminium Post/gutter | |
| 19. Leave catcher | |
| 20. Waste duct | |



Required tools

- Drilling machine
- Metal drill
- Masonry drill
- Crosshead screwdriver
- Allen key set
- Tape measure
- Level
- Pencil
- Cutting plier
- Flathead screwdriver
- Silicone kit
- Rubber hammer

Important before installation

General warning

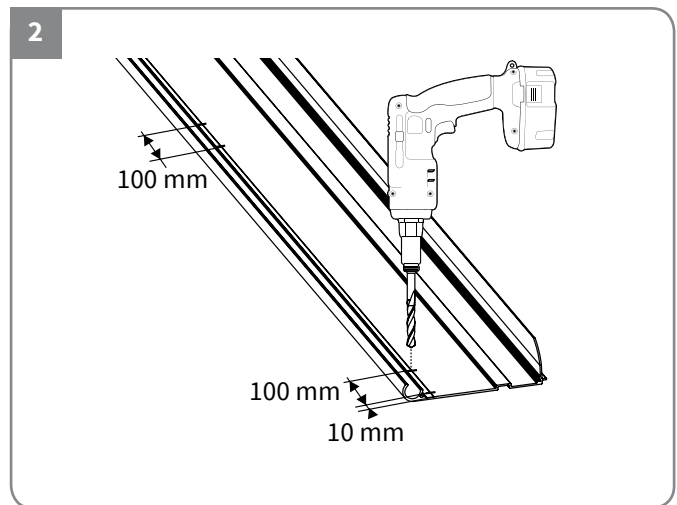
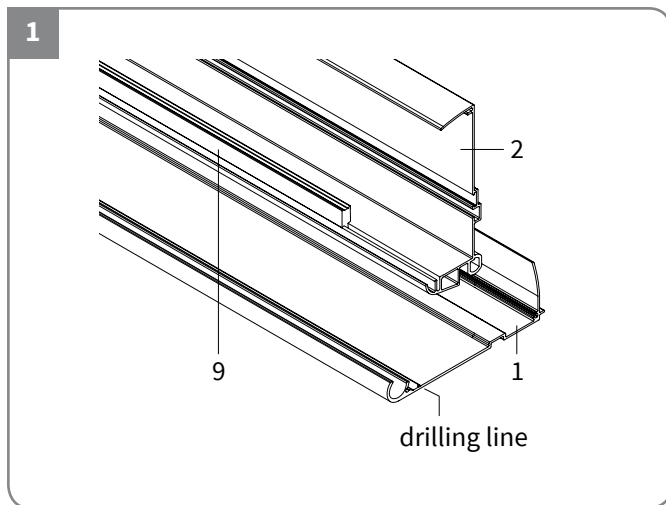
Installing the Verano® product yourself is at your own risk. Only use this instruction as a tool and for the installation of this specific Verano® product. If you cannot install the product yourself, you can always opt for professional installation. The installation team of Verano® is pleased to help you.

Be careful for damages

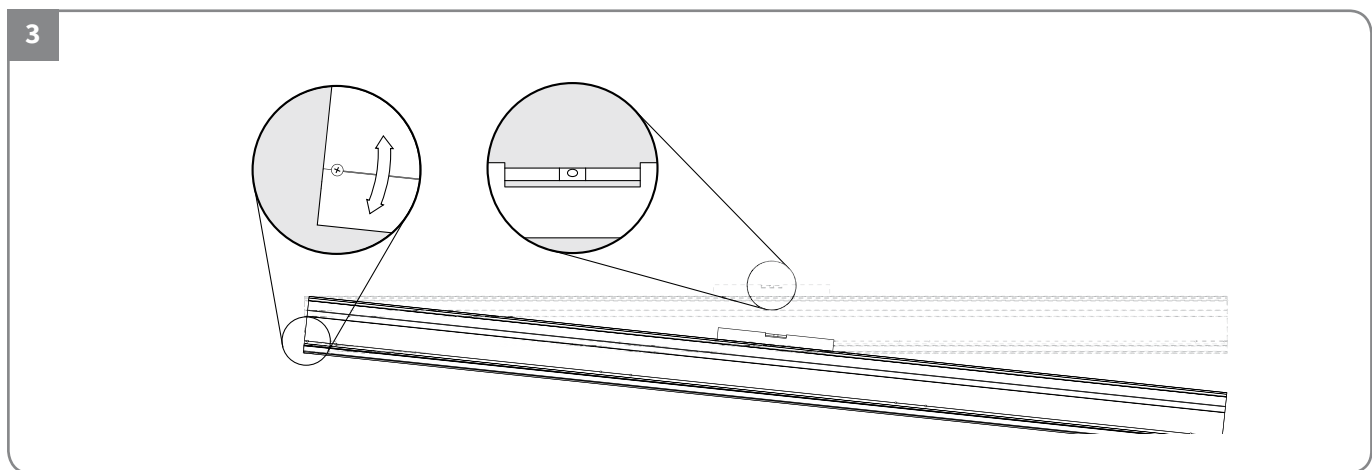
Don't use a knife or any other sharp object when opening the packing. This may cause damage to the content of the package. Put the content of the package on a soft surface. Be careful when drilling, falling drill cuttings can cause damages.

Check if the façade is flat.

1. Mounting the wall profile

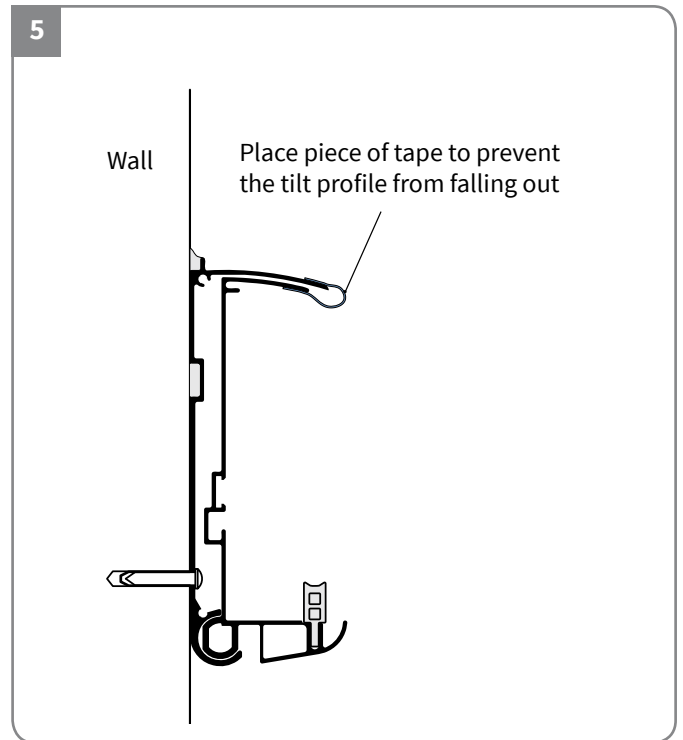
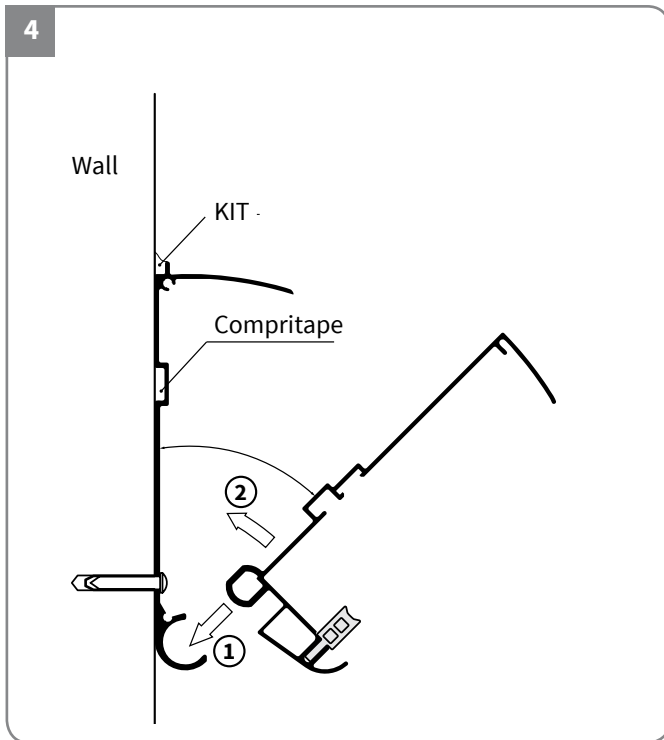


Drill 2 holes (\varnothing 5 mm) into the wall profile (1) for each corresponding rafter.



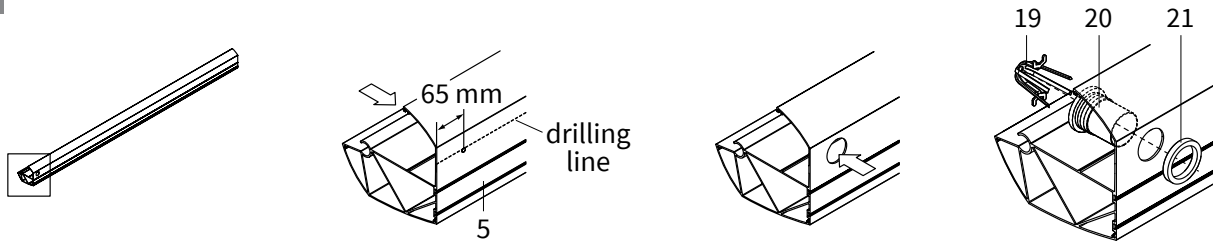
- Mount the wall profile (1) using the left end-screw only.
- Ensure that the wall profile is levelled out and mark the position of the remaining holes.
- Dismantle the wall profile and drill the holes where marked.
- Push the compritape into the groove along the complete width of the wall profile (see figure 4).
- Use minimum screw plug size 8 and screw size m8 to screw the profile into the wall.
- Apply sealant (kit) right along the top (see figure 4).

2. Fixing the tilt profile



3. Gutter and Post

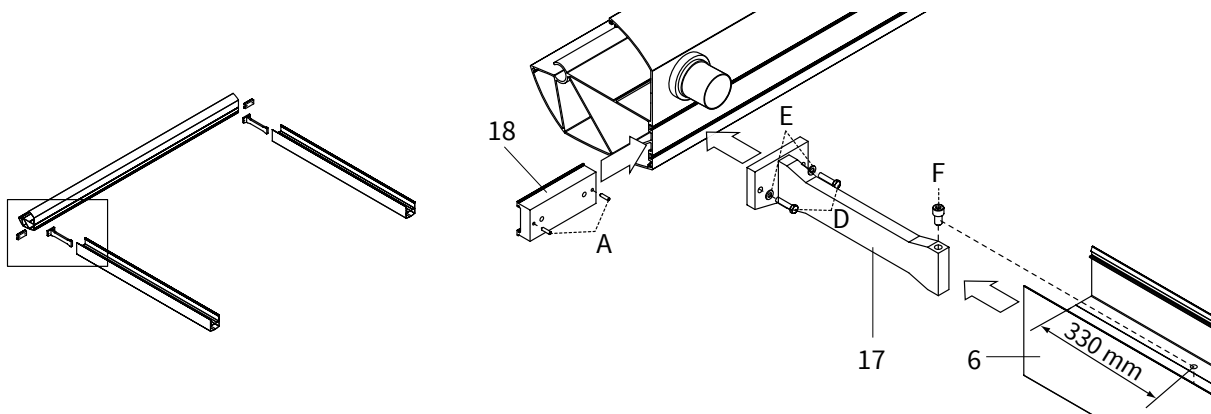
6



Drainage

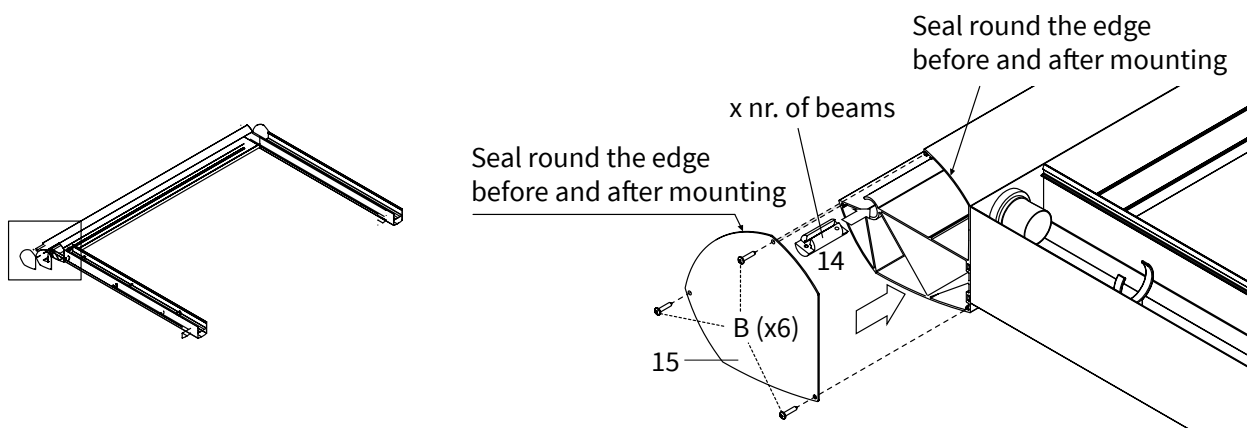
- First measure the position of the center hole, then drill on the drilling line on the inside of the gutter.
- Drill a 48 mm hole on the outside of the gutter.
- Fix in the waste duct and nut (20 + 21) and the leaf catcher (19).

7



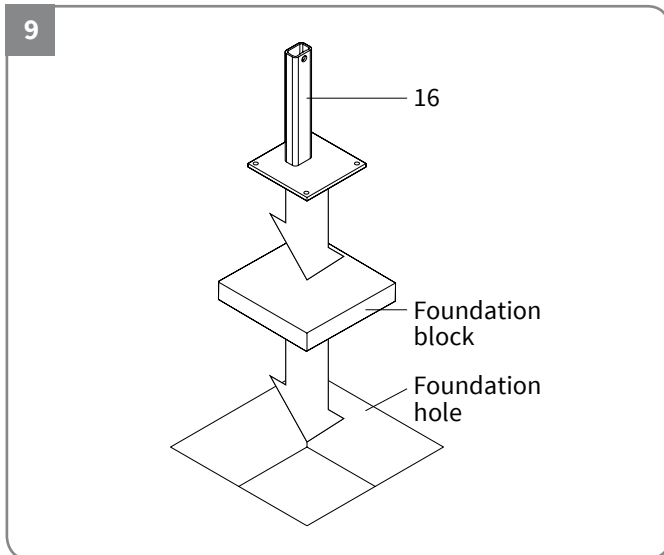
Coupling Post/gutter (2x)

8

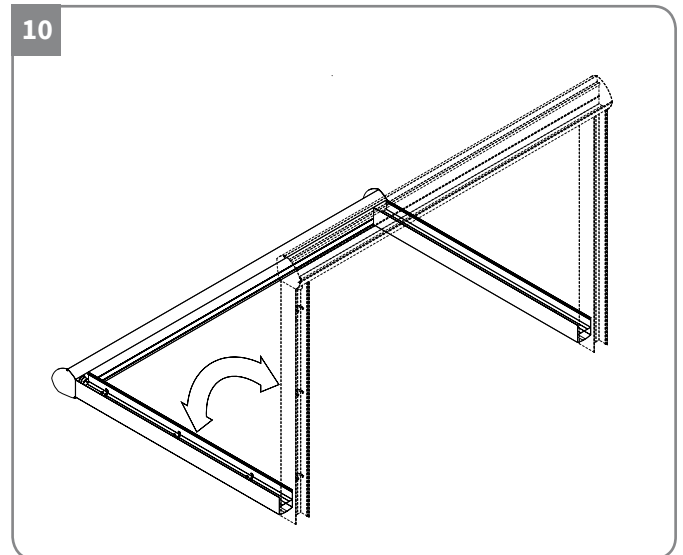


Side plates gutter profile (15) (2x) and T connectors (14) (x nr. of beams).

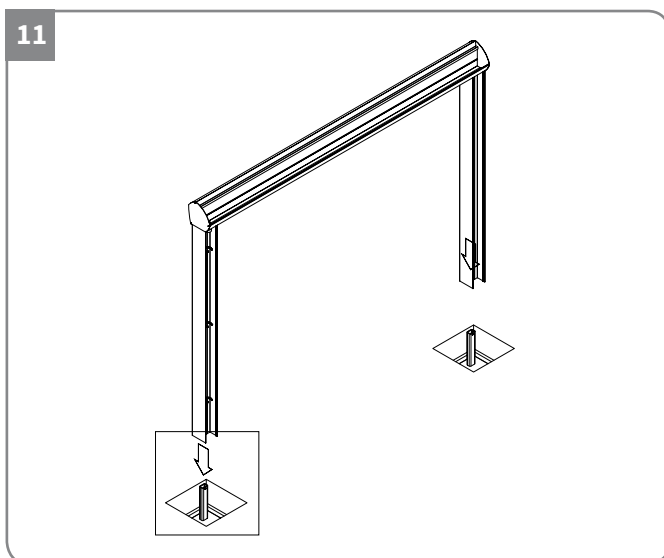
4. Footplate



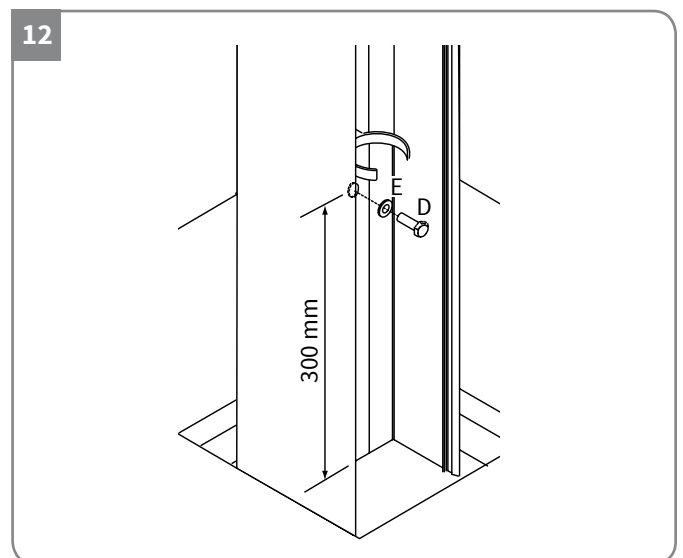
Position the footplate and foundation block (2x).



Position the gutter unit.



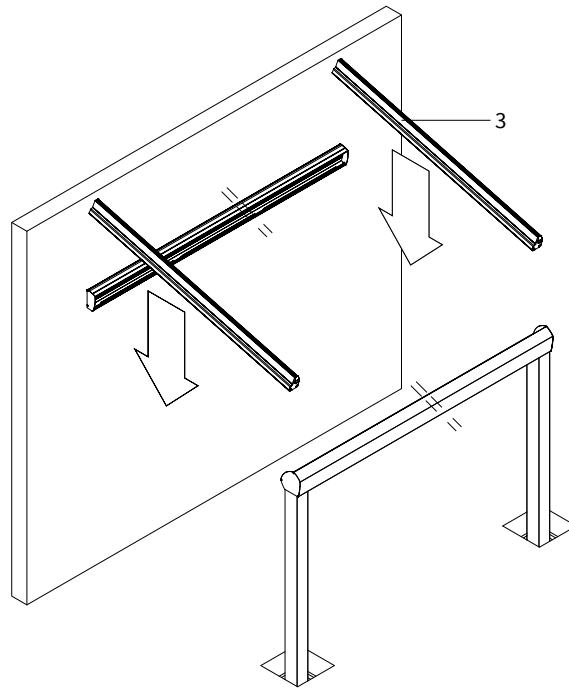
Lower the post onto the footplate.



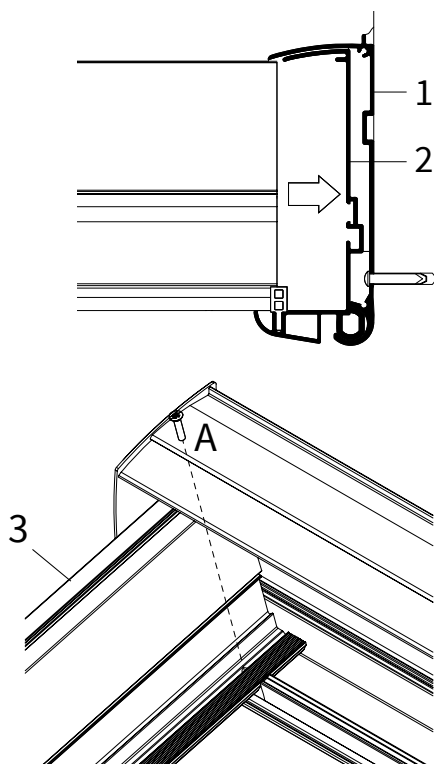
Anchor the footplate.

5. Laying the two end profiles (outer beams)

13



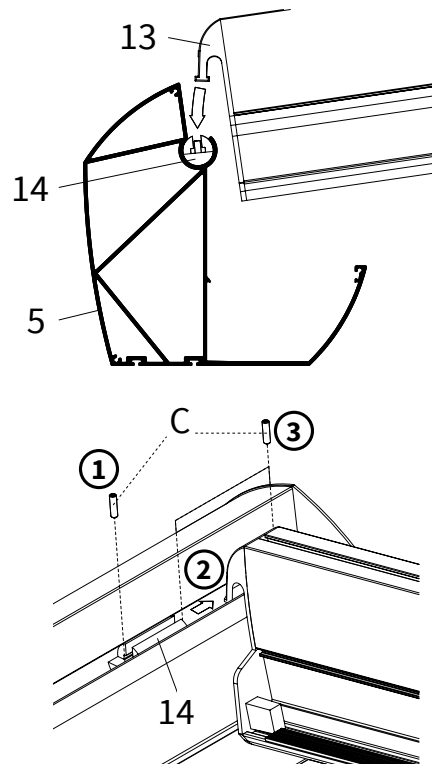
14



End profile - wall (left and right)

- Slide the end profile (3) into the tilt profile (2).
- Screw them together with 1 screw.

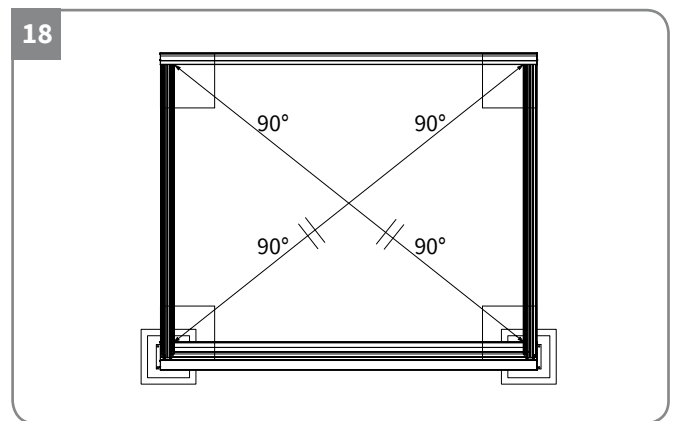
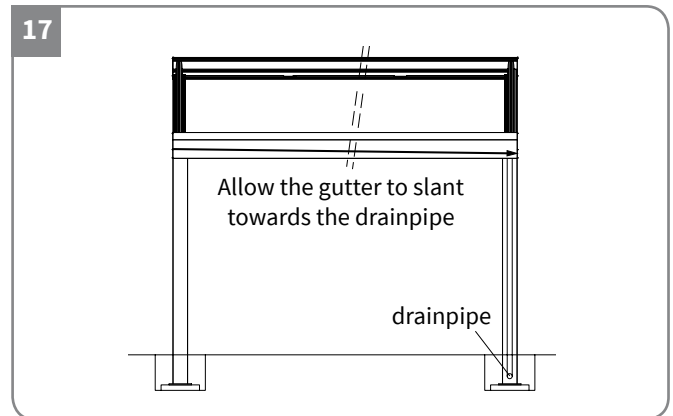
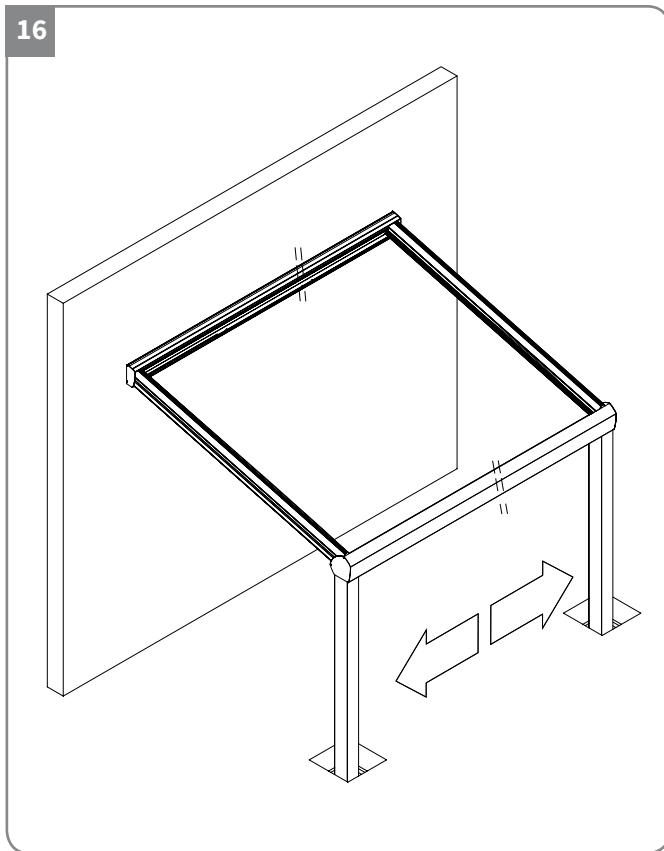
15



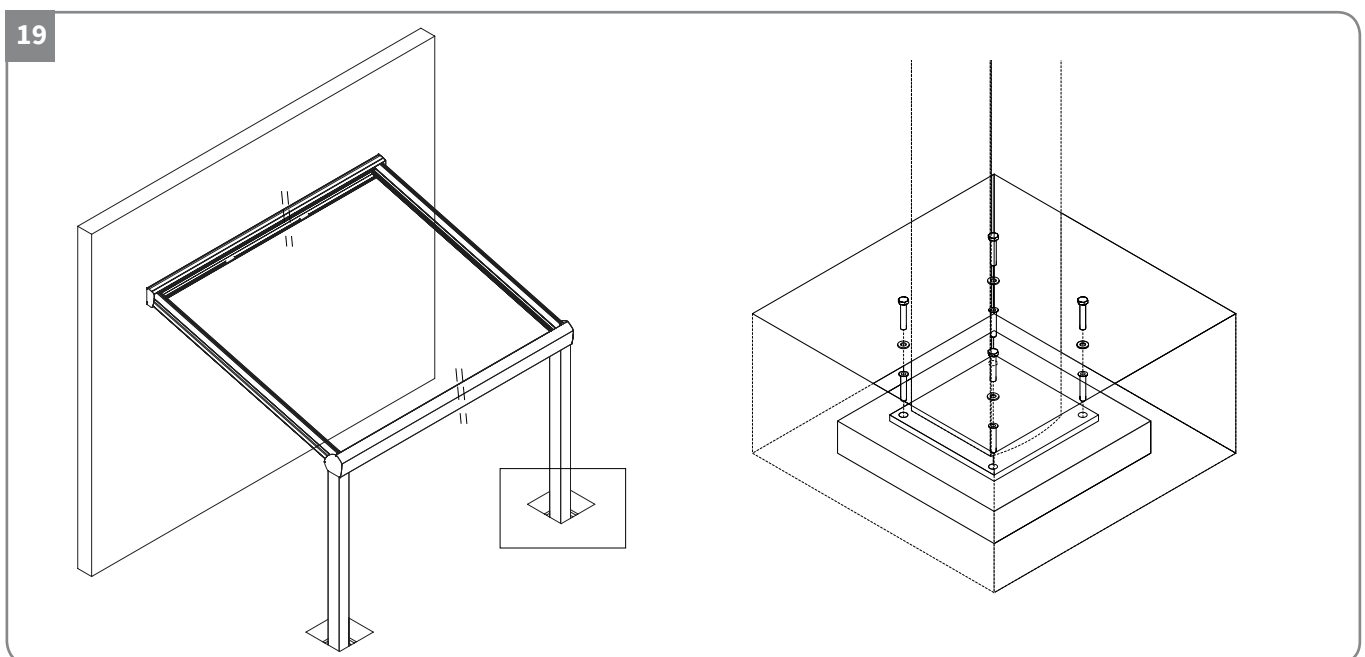
End profile - gutter (left and right)

- Slide the end profile (3) into the gutter (5).
- Slide the T connector (14) under the end profile.
- Screw it in with the locking screw.
DO NOT TIGHTEN THE SCREW!!

6. Positioning and lining up



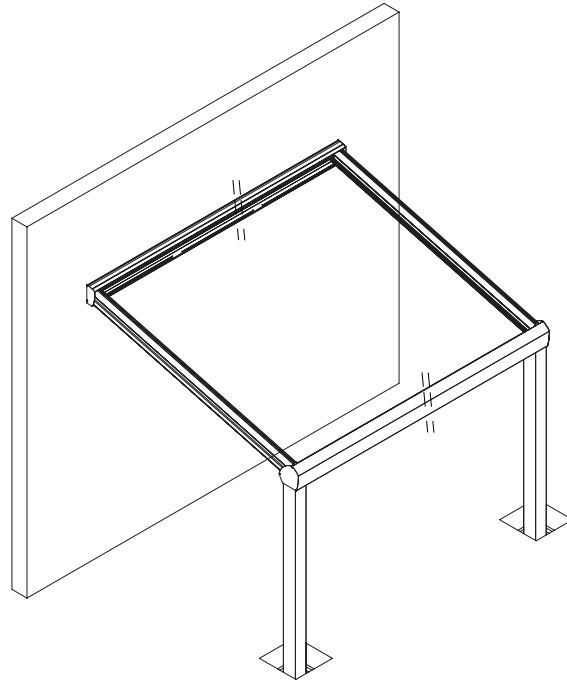
7. Anchoring the Footplate



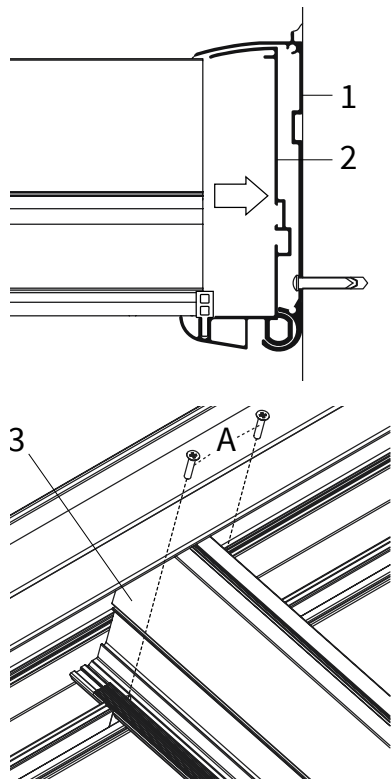
- Drill four holes through the footplate (16) into the foundation block.
- Screw the Footplate down onto the foundation block.

8. Laying the beam profiles

20



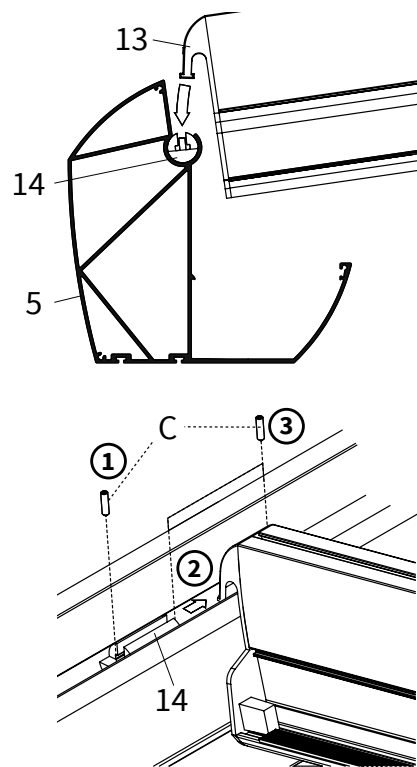
21



Beam - wall

- Slide the beam (3) into the tilt profile (2).
- Screw it in with 2 screws.

22

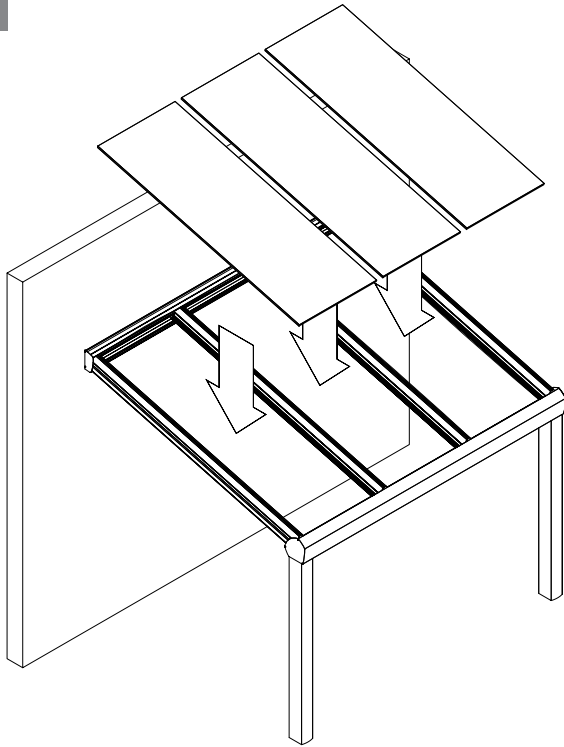


Beam - gutter

- Slide the beam (3) into the gutter (5).
- Slide the T connector (14) under the beam profile.
- Position the beam (3) and then fix it.
- Repeat this until all the remaining beams have been fixed.

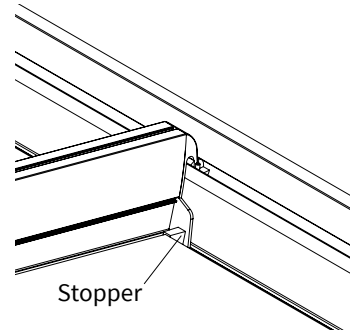
9. How to lay the glass/polycarbonate panels

23

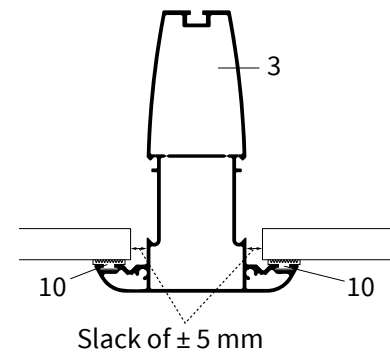


PLEASE NOTE: Lay the glass panels with the polished facet edge towards the gutter!

24

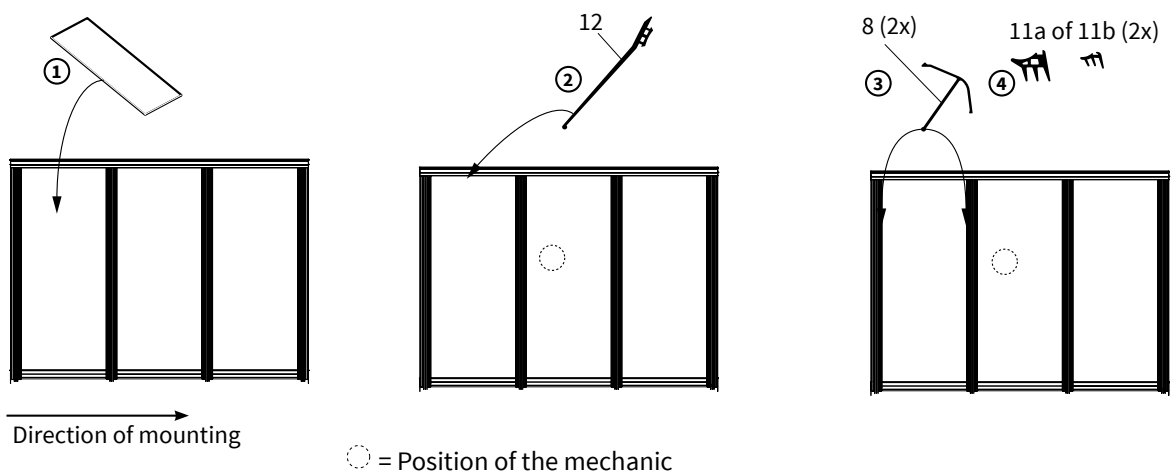


25



10. Direction of mounting

26

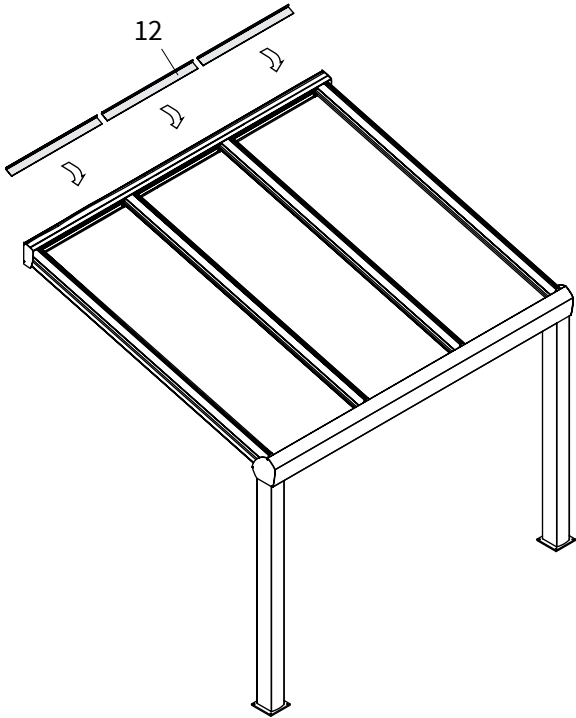


- Start with the end profile on the left-hand side. Lay the glass (or polycarbonate) roof panel.
- Insert the rubber for the wall profile (12) between the beams.
- Insert the glass strips (8) and the end frames (4).
- Insert the rubbers (11a for glass or 11b for polycarbonate).

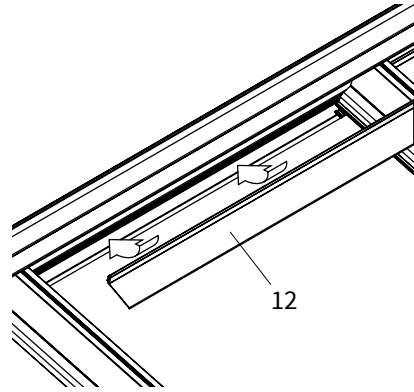
Repeat steps 1 – 4 until all the panels have been fixed.

11. Inserting the rubber wall strips

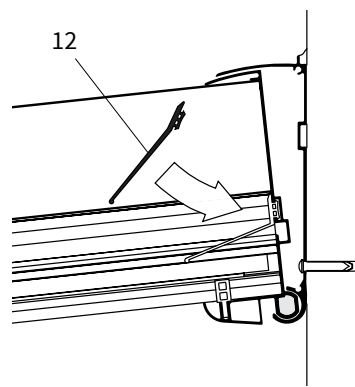
27



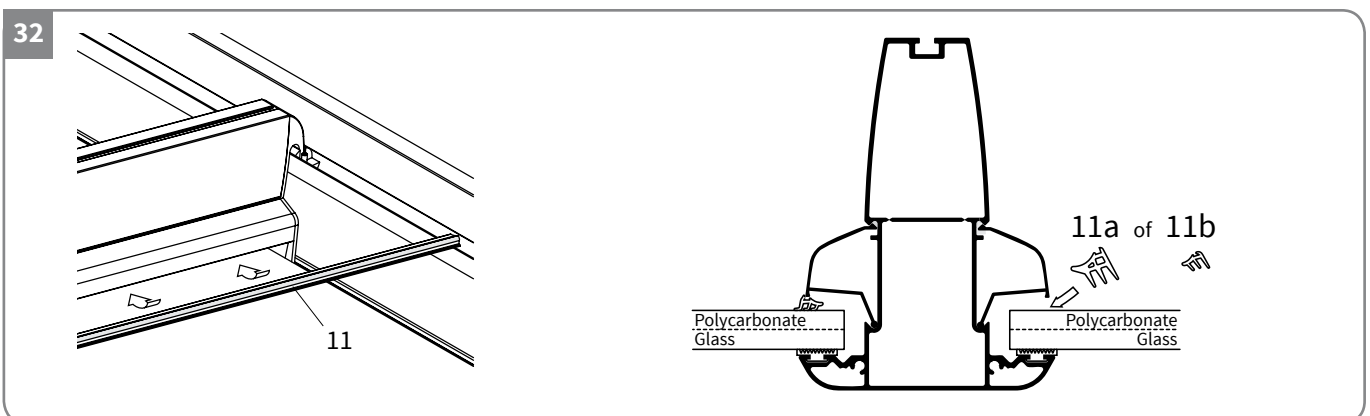
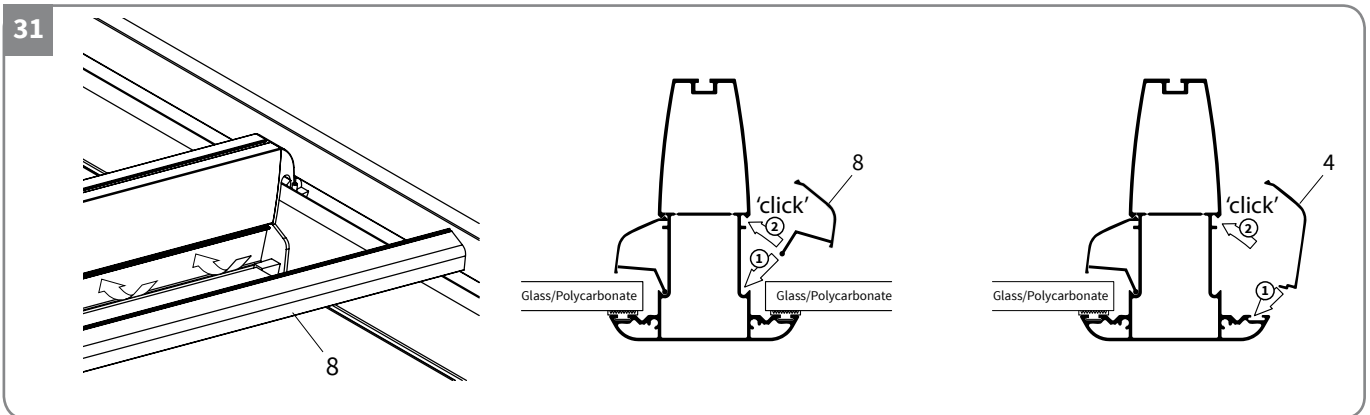
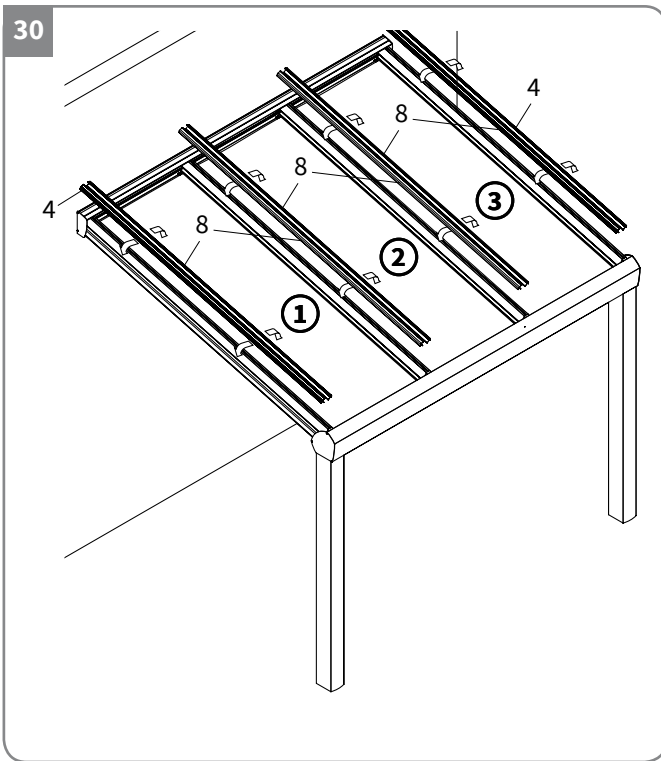
28



29



12. Placing glass roofing panels and rubber strips

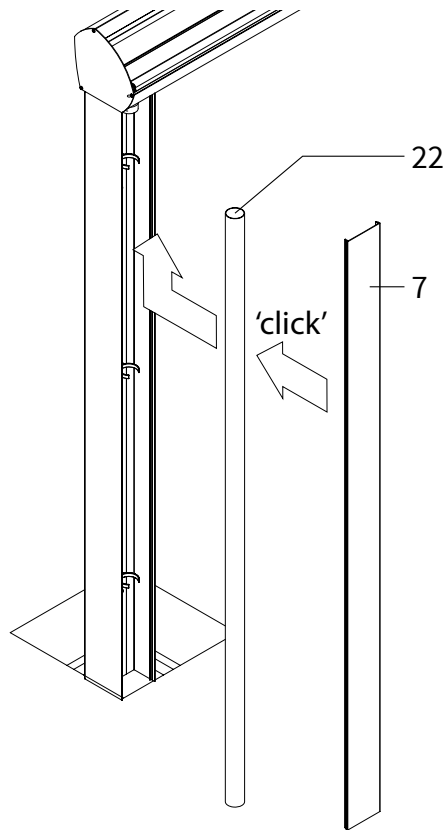


The rubber strips are available in two sizes:

- for glass (11a) 16 mm.
- for polycarbonate (11b) 10 mm

13. Drain pipe and post click profile

32



The drain pipe is located inside the post.

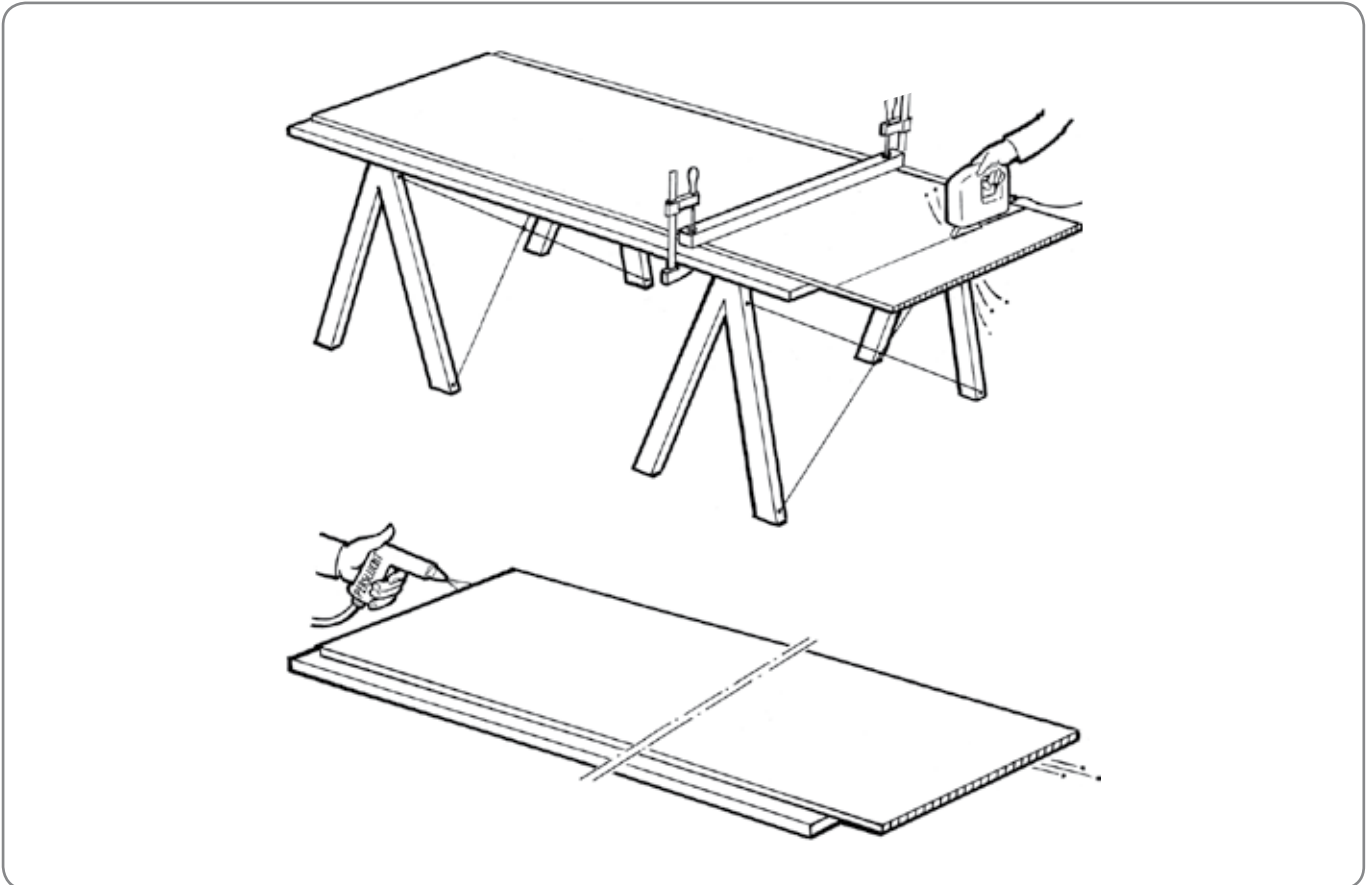
Drainpipe:

- Click in the drain pipe (22) and connect it to the drains.
- Click the post click profile (7) into the post.
- Fill in the foundation holes.

Processing the polycarbonate roof panels

Storage

If you storage the polycarbonate roof panels, to plates need to lie on a flat surface, for example pallets. The plates may not be stacked directly on the ground. Avoid direct sunlight and rainwater and cover the plates with a white polythene foil. Storage preferably inside. If outside, then under a roof.

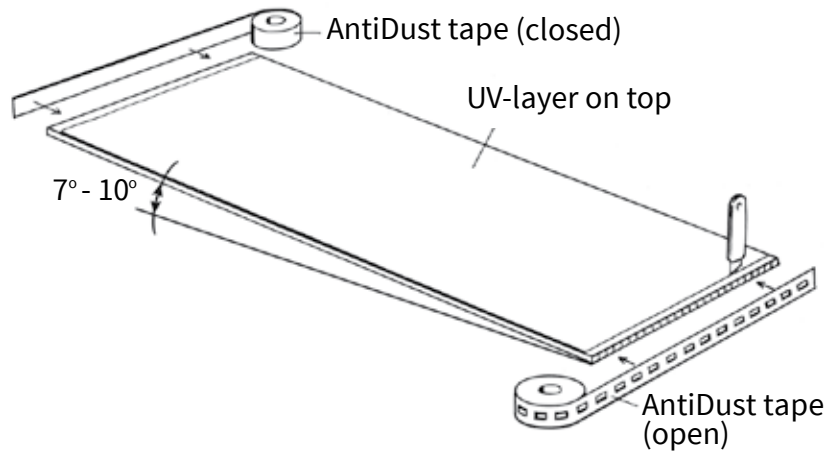


Sawing

- Saw with a hand circular saw or jig saw with fine-tooth saw blade.
Use a stable and vibration-free surface and avoid swinging and flapping of the plate.
Do not remove the protection foil before the sawing and drilling. This prevents scratching on the surface.
- Clean the canals with dry compressed air.
- After that, immediately close with a Anti-dust or transportation tape.

Backlash and installation

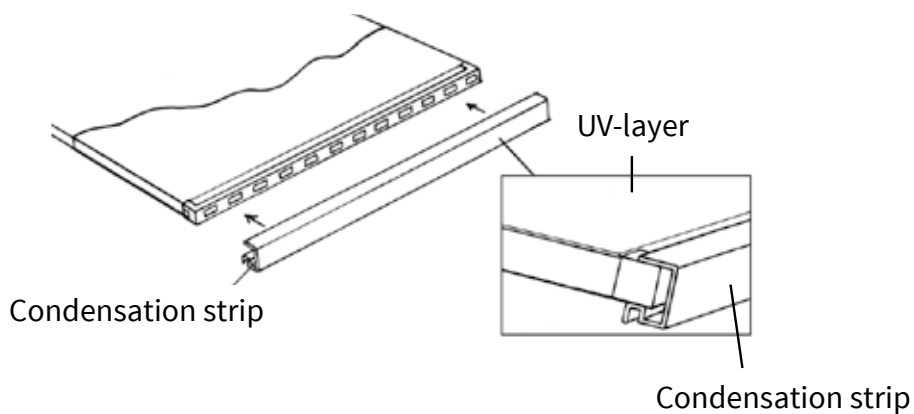
Due to temperature fluctuations, polycarbonate roof panels can bulb or shrink.
The plate is blocked against shearing on the underside with an end partition on the cover profile.
The whole backlash needs to be provided on the upper side.
The side of the plate needs to have a backlash of 3 mm.



Sealing against moisture

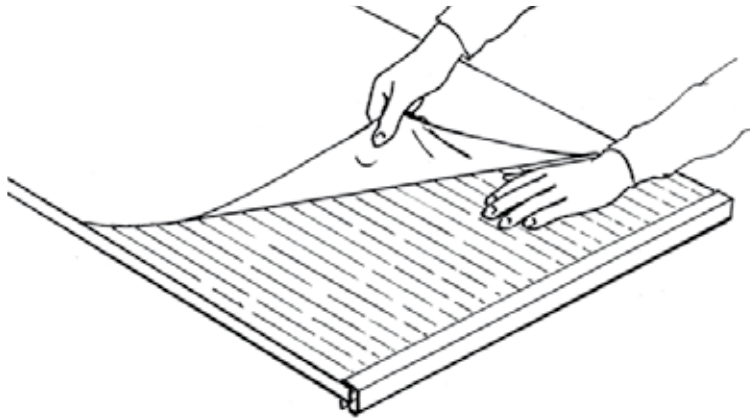
Polycarbonate is gas- and vapor-permeable, this is the reason that moisture can not be quite prevented. A right slope of the roof between 7° – 10° and an effective sealing can limit this.

- The plates need to be taped on the upper side with a closed Anti-dust tape.
- The underside needs to be taped with a perforated AntiDust tape.
- If possible, remove a strip of protection foil below and above (approx. 3 cm).
- Cut lightly with an utility knife.



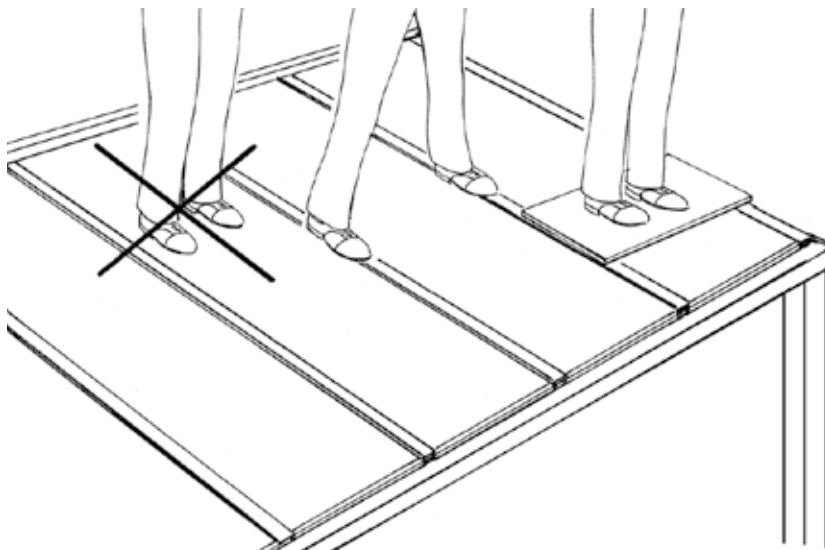
Placing the moisture profile

After applying the Anti-dust tape, provide the underside of the plate with a condensation strip over the whole width of the plate.



Removing the protection foil of the UV-layer

After applying the moisture profile, the polycarbonate roof panel can be installed. The removing of the UV protection foil can be done after mounting, but also before mounting. It is more easy and more safe to remove it before mounting. You do not need to be on the roof to do this.



Do not stand on the polycarbonate roof panel

The polycarbonate roof panels are solid and strong, but not resisted enough against concentrated load. Do not walk on the panels! Only walk on the edges where beams and cover strips are or use a shelf.

Cleaning

- Clean the polycarbonate roof panels at least once a year with tepid water and soap. If necessary, use non-alkaline soap in combination with a telescopic car brush.
- Use a soft brush or sponge.
- Never use abrasives or solvents!
- Before- and after rinsing with a lot of water and at last clean with a soft cloth.



Registration number TÜV The Netherlands QA B.V.: 1231

Verano BV
Bedrijfsweg 8
5683 CP Best, Nederland

Certificate number:
1231-CPR-1090-1-2400-A-293

EN 1090-1:2009 + A1:2011

Aluminium parts, to be applied in veranda's according to order:
see sticker on the back of this installation manual

Tolerance on geometric data:	EN 1090-3
Weldability:	N.A.
Fracture toughness:	not for aluminium products
Reaction to fire:	material classification: class A1
Cadmium emissions:	NPD
Radioactive radiation:	NPD
Durability:	surface powder coated according quality class 3
<u>Constructive properties:</u>	
Deadweight:	design according EN 1990 (Eurocode 1) and EN 1999 (Eurocode 9): reference order noted on sticker on the back of this installation
Distortion in serviceability limit state:	NPD
Fatigue resistance:	NPD
Fire retardend:	Class A1
Fabrication:	according to part specifications; reference order noted on sticker on the back of this installation manual and EN 1090-3, EXC1

MANUFACTURERS WARRANTY

controler no.

date

particulars

Warranty conditions

The factory warranty is valid only if the assembly has been executed by a certified engineer (professional placement). During the manufacturing of its products, Verano® has used the greatest precision. However, if during the normal use and maintenance within 5 years after the purchase date, there are faults resulting from manufacture or construction errors, provided that all the instructions concerning the correct use and maintenance have been followed, Verano® will put at the dealer's disposal the replacement material, for free.

Warranty:

- The term is not extended or renewed because of repair or the replacement of faulty parts;
- Does not include the replacement of fuses, limit switches and slide contacts;
- It is Verano®'s obligation to give to the buyer whatever right to compensation or dissolution of the purchase contract;
- Verano® reserves its right, without previous notification, to carry out changes in its products;
- All our transactions occur according to the conditions deposited at the Chamber of Commerce in Eindhoven under number 17119924;
- Small colour changes can occur due to the fact that the ordered colours are manufactured according to the number or that a present steel colour is imitated;
- The paintwork is not resistant to strong chemicals and /or damage with a sharp tool;
- Some colour shade can occur due to the fact that the colours can be more or less effected by UV-radiation (sun light).

The warranty elapses:

- As a result of insufficient maintenance or incorrect use;
- The sun blind is not fitted by a certified engineer;
- Normal wear resulting from use;
- Discoloration due to effects of weather;
- Faulty assembly.

The second party does not derive a right from the warranty other than the one above mentioned, especially the right to compensation in case of consequential loss and also due to faults of third parties. Also inconsequential damage will not be compensated. The second party indemnifies us against all the consequences of the other claims of his customers.

MANUFACTURERS WARRANTY

REGISTER YOUR PRODUCT ON VERANO.EU AND RECEIVE A 5 YEAR WARRANTY

Congratulations on your purchase of this Verano® product. You are ensured of many years of pleasure during the normal use of the product according to the appropriate operation and maintenance rules. All the materials used are adjusted to the user's objectives. The products are manufactured with the greatest care. If you have any comments, please send an e-mail to: info@verano.nl. We hope you enjoy your Verano® product!

Verano® retailer data:

CE Sticker

More inspiration? Follow Verano®!



facebook.com/verano.nl



[@veranobv](https://twitter.com/veranobv)



pinterest.com/veranobv



plus.google.com/u/0/+VeranoNL190



linkedin.com/company/verano-b.v.



www.verano.eu

Exteriorsun protection

Roller shutters

Outdoor living

Interior sun protection

Garage doors

