



INSTALLATION MANUAL
CONSERVATORY AWNING V610 - OSLO

Important before installation

General warning

Installing the Verano® product yourself is at your own risk. Only use this instruction as a tool and for the installation of this specific Verano® product. If you cannot install the product yourself, you can always opt for professional installation. The installation team of Verano® is pleased to help you.

Be careful for damages

Don't use a knife or any other sharp object when opening the packing. This may cause damage to the content of the package. Put the content of the package on a soft surface.

Be careful when drilling, falling drill cuttings can cause damages.

Necessary tools

- Drilling machine
- Metal drill 3,5 mm
- Stitch- or ring wrench 10 mm
- Crosshead screwdriver
- Allen key set
- Ladder
- Tapeline
- Level
- cord
- Pencil
- Plastic hammer
- Installation manual

Installation V610-Oslo

A V610-Oslo with a width above the 5 meter must be linked.

Attention! Link exactly above the heart of the click frames. **(See Figure 2)**

1 Mounting the feet and side guides

- Mount the feet on the veranda roof. The feet are placed in the middle of the guides.
We advise to place the upper foot 100 mm from the bin, at the bottom also around 1000 mm from the bottom of the profile **(See Figure 4 and 5)**
- Slide the high foot in the side guide and mount the side guide to the foot on the veranda roof. **(See Figure 3)**

Attention! We advise to place a intermediate roll with a projection larger than 3500 mm.
Also mount the fabric roll supports in the side guide. **(See Figure 1 and 3)**

- After all the side guides are mounted, you need to make sure that all side guides are measured equal both parallel and diagonal. **(See Figure 6)**
- Slide the V610-Oslo in the side guides.

Sizes in mm

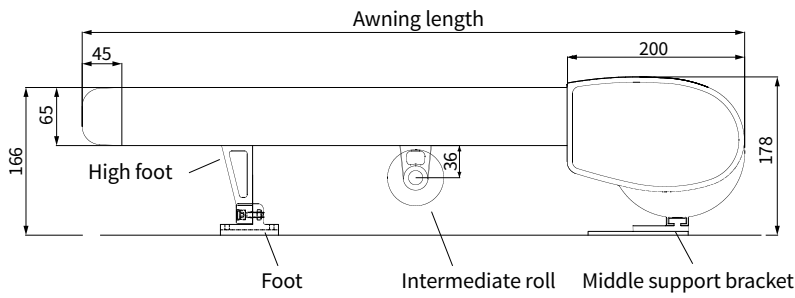


Fig. 1 Side view

⚠ Attention! Always assemble.

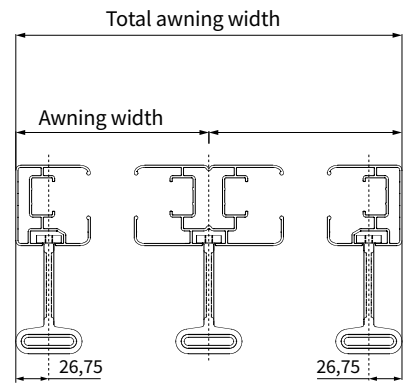


Fig. 2 Front view

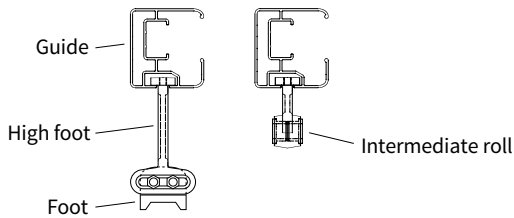


Fig. 3 Front view foot and intermediate roll

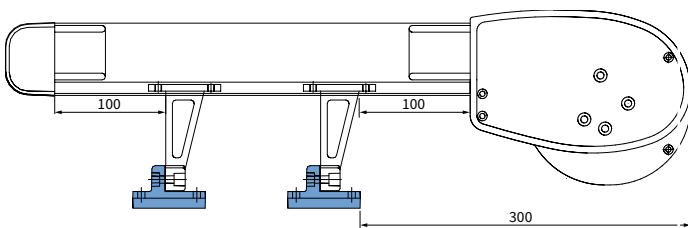


Fig. 4 Side view, mounting feet

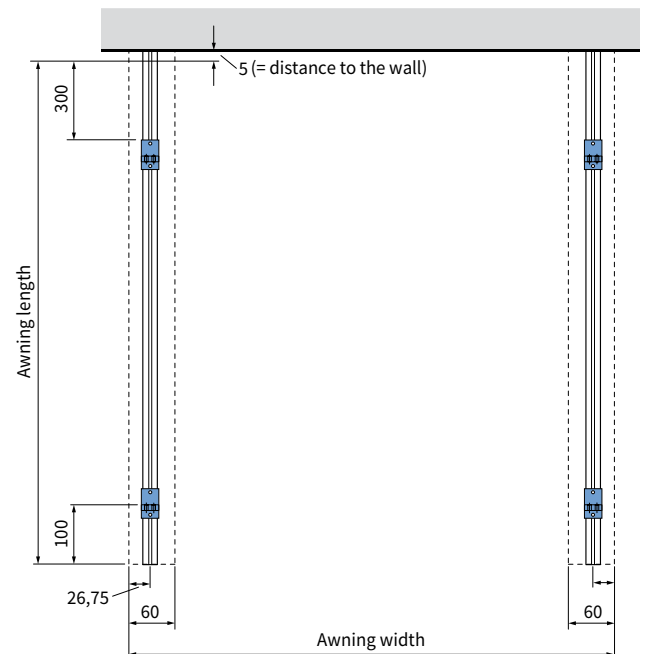


Fig. 5 Top view, mounting feet

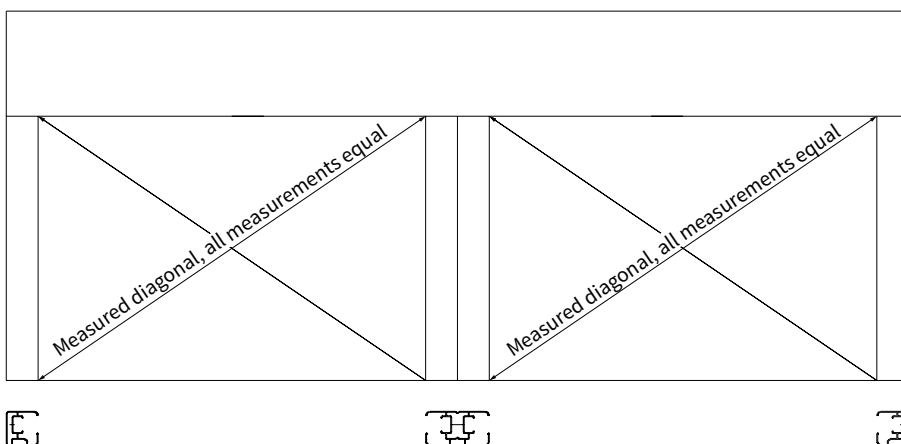
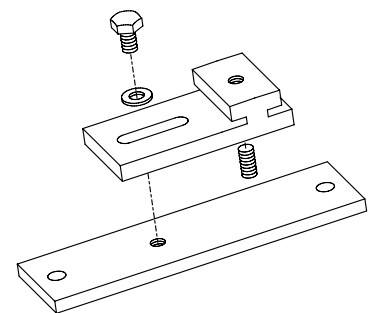


Fig. 6 Top view

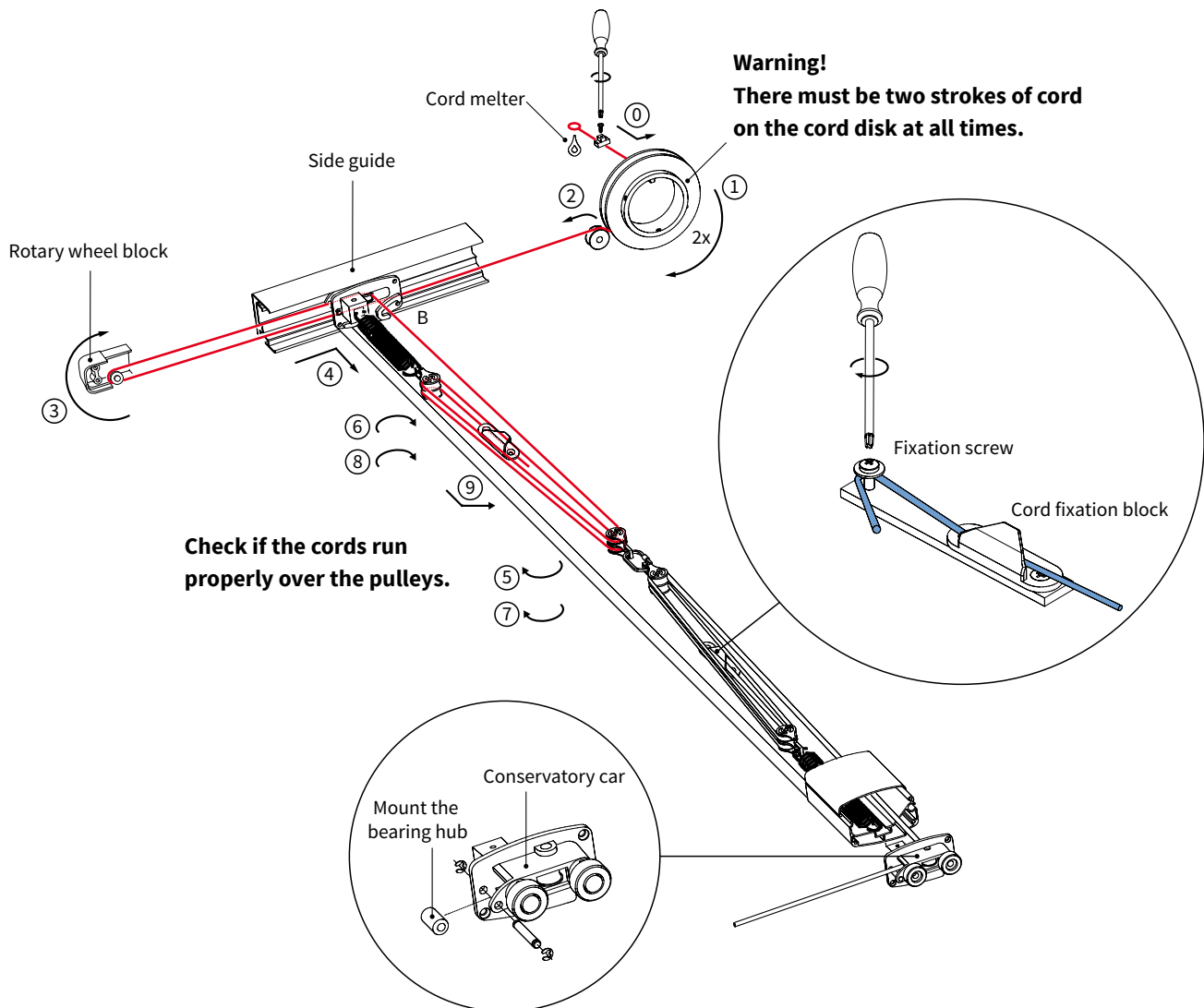


⚠ Attention! Always mount in the middle for optimal cap closure.

Fig. 7 Middle support bracket

2 The cord (see Figure 7)

- Open the cover of the conservatory awning.
- Dismount the cover from the pull frame.
- Loosen the cord at the cord fixation block and loosen the fixation screw.
- Demount the covers of the rotary wheel blocks.
- Block the connection between the left and right cord by sticking a screwdriver through the closure and pull frame. There is a hole in the pull frame intended for this purpose.



| Projection cm | Span length* cm |
|------------------|--------------------|
| 150 | 6 |
| 200 | 6 |
| 250 | 7 |
| 300 | 7 |
| 350 | 8 |
| 400 | 8 |
| 450 | 10 |
| 500 | 10 |

* The span length is the difference between the tensioned spring and the spring without tension. This can simply be measured.

Attention!

Maximum 4 cm above the values of the advise table. In case of exceptional measures of the V610-Oslo take one step higher in the table.

Fig. 7

3 Optional: Linking the V610 Oslo (see Figure 8)

A linked V610 Oslo has a coupling pin already mounted in the motor section.

1. Place the part with the motor.
2. Demount the coupling pin. Therefore remove the allen screws M6 (1) on the plug at the motor side and remove the strip (2).
3. Link the V610-Oslo boxes by putting them against each other with the included fixation material.
4. Remove the allen screws M6 (1) on the part without the motor and take strip (2) away.
5. Remove the allen screws M6 (3), the strips (4) and the bearings (5).
6. Tightly turn the gag with fabric at the non-motor side. Due to transportation this gag can be twisted.
7. Place the axis with bearings.

Warning! Make sure that the slots in both plugs (6) are oriented to the opening in the end caps.

8. Place the strips (2) back and tighten all screws M6 (1) evenly.
9. Place the strips (4) back and tighten them with the allen screws (3).

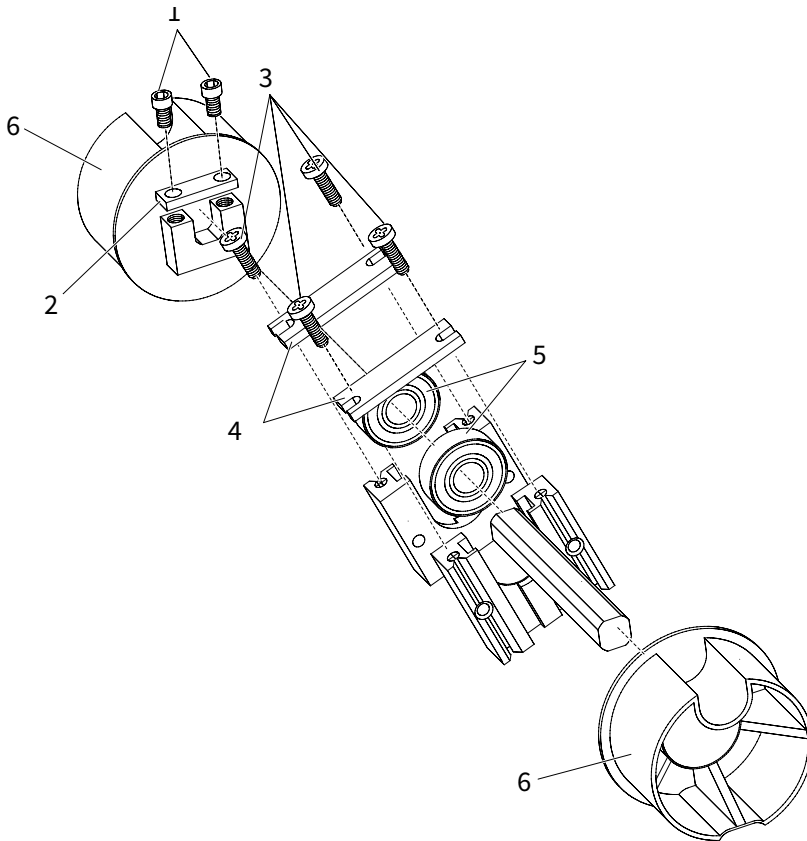


Fig. 8

4 The cord, continued (see Figure 7)

- Place the cord on the rotary wheel block and pull it to the end of the side guide.
- Do the same at the other side.
- Then pull the cord to tension at a closed V610-Oslo according to the table in Figure 7.

5 Finishing

- Adjust the motor regarding the included adjustment details.
- Close the box.
- Close the pull frame.

Remark

At larger widths of the V610 Oslo the pull frame without a cover can sag, making it appear that the cover is too wide. To close the pull frame, you need to lift it slightly in the middle.