



INSTALLATION MANUAL  
**ROLLER SHUTTERS**  
**V010 - SPACE, V020 - ELEGANT**  
**AND V030 - STEADY**

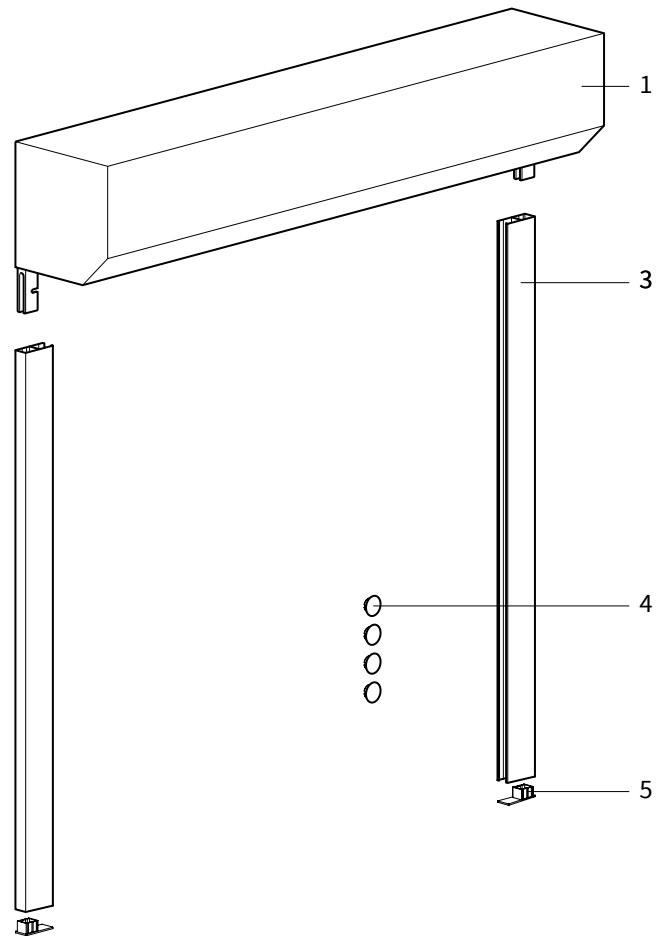
### Content

#### Package 1

1. Armor in box
2. Control
  - a. manual control: cord or strap winding mechanism
  - b. electrical control: switch + plug
  - c. remote controlled: remote control + plug

#### Package 2

3. Two guides
4. Screw caps
5. End caps (only with HTF side-guides)



### Necessary tools

- Drilling machine
- Metal drill 6/10 mm
- Masonry drill 6/10/12/20 mm
- Crosshead screwdriver
- Tapeline
- Level
- Pencil

In case of electrical control:

- Nippers
- Flathead screwdriver



### **Important before installation**

#### **General warning**

Mounting the Verano® product yourself is at your own risk. Only use this instruction as a tool and for the mounting of this specific Verano® product. If you cannot mount the product yourself, you can always opt for professional mounting. The mounting team of Verano® is pleased to help you.

#### **Be careful for damages**

Don't use a knife or any other sharp object when opening the packing. This may cause damage to the content of the package. Put the content of the package on a soft surface. Be careful when drilling, falling drill cuttings can cause damages.

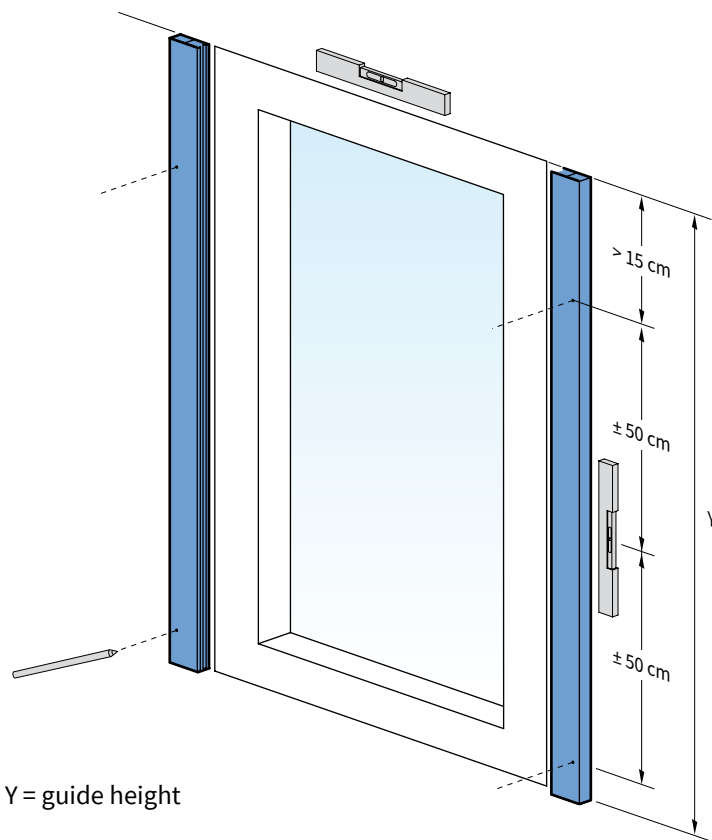
Check if the window frame or façade is flat and smooth.

### 1. Instruction placing roller shutter (outside)

#### 1.1 Marking the mounting-holes

1. Place the left guide vertical, at the right height, against the façade or the window frame.  
Attention! The guides have an open and closed side. The open side needs to be on the window side and conducts the slats. You may not drill in the open side!
2. Mark the mounting-holes on the guides. Make sure that the mounting-holes are in a stone and not in the seam!  
The first hole at the fixation point of the box, needs to be drilled at least 15 cm from the edge. This space must be kept free for the cover bracket.
3. Place the right guide at the right height and width against the wall and mark the mounting-holes the same way.

**Attention!** The left- and right guide need to be exactly levelled at the top and bottom. Use a shelf and level to check this.



Y = guide height

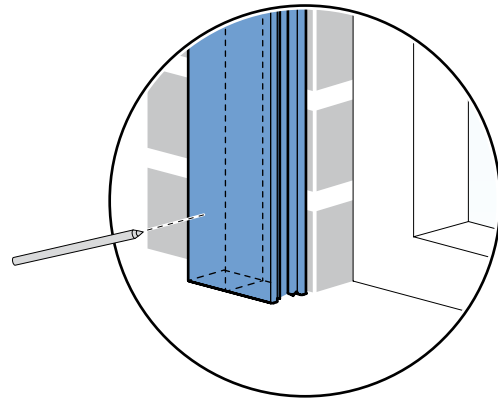
Screws per guide

Y < 125 cm : 2x

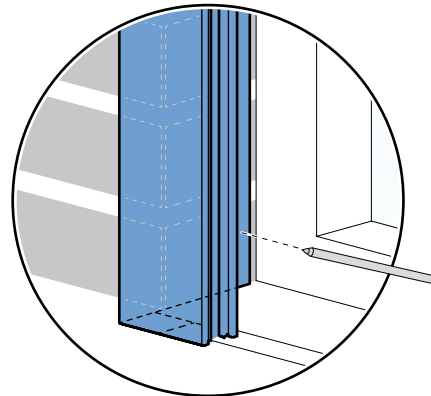
Y = 125-225 cm : 3x

Y > 225-285 cm : 4x

Installation on the wall, **HTF guide**



Installation between two walls, **LHTF guide**

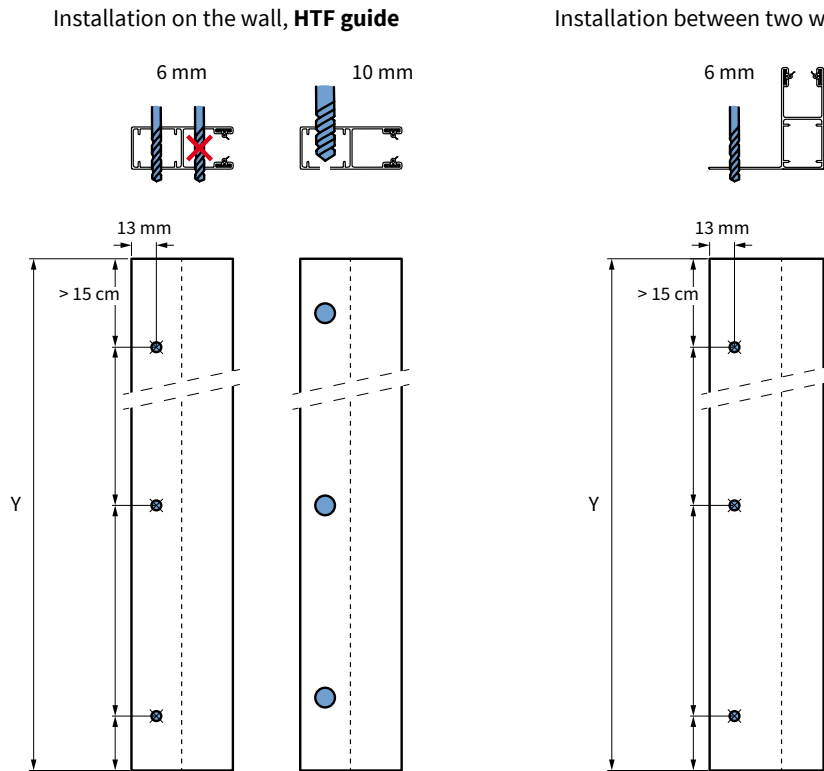


### 1.2 Drilling mounting-holes in the guides

Make sure that the holes are drilled precisely 13 mm from the side.

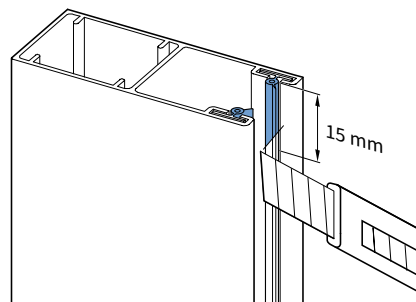
Installation on the wall: first drill a hole of 6 mm through both layers of the guide. After that, drill the top hole with a 10 mm drill. Later, the plastic screw caps are placed here.

Installation between two walls: drill all the holes with a 6 mm drill.

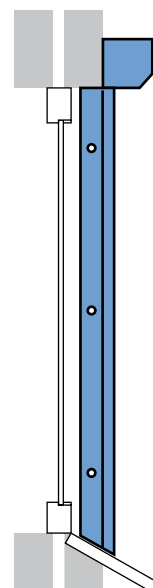


### 1.3 Rubbers

Cut off 15 mm rubber, sloped on the top of both guides. This to prevent jamming of the armor in the run funnel.



Installation between two walls, LHTF guide



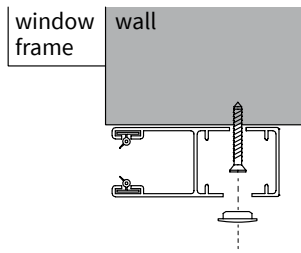
### 1.4 Sloping windowsill

Do you have a sloping windowsill? First saw the LHTF guide in the same angle as the slope of your windowsill. This is only necessary when mounting between two walls.

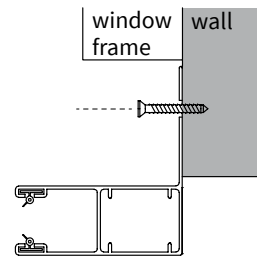
### 1.5 Mounting the guides

1. Place the guides back in the façade or the window frame. Make sure that the guides are perpendicular and run parallel to the wall. You can mark the drill holes according to the holes in the guides.
2. Drill the final holes. Take the size of the screws and wall plugs you are going to use into account.

Installation on the wall, **HTF guide**



Installation between two walls, **LHTF guide**



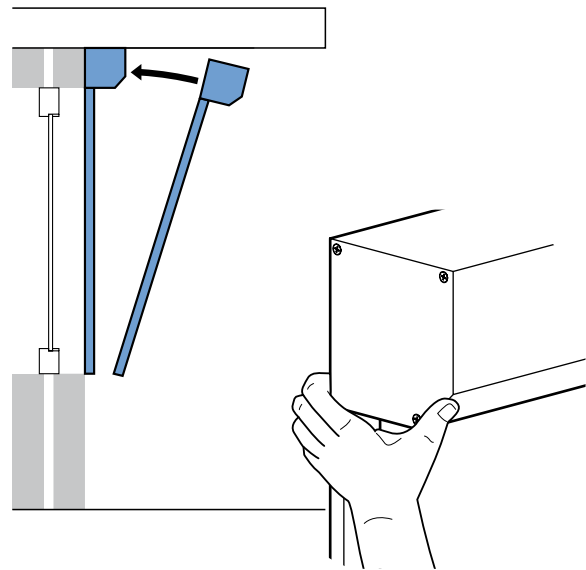
3. Screw the guides. Don't screw the top screws tight yet. This way the guides can still be put forward when placing the box.

### Caution!

#### In case of low gutter or eaves.

When a roller shutter needs to be mounted below a low gutter or eaves, it is necessary to first place the box on the guides before the guides are screwed on to the wall.

Be extra careful with the mounting. The cover brackets are vulnerable! To prevent breaking of the cover brackets, you always need to lift the roller shutter with two persons at the fixation point of the box on the side guides.

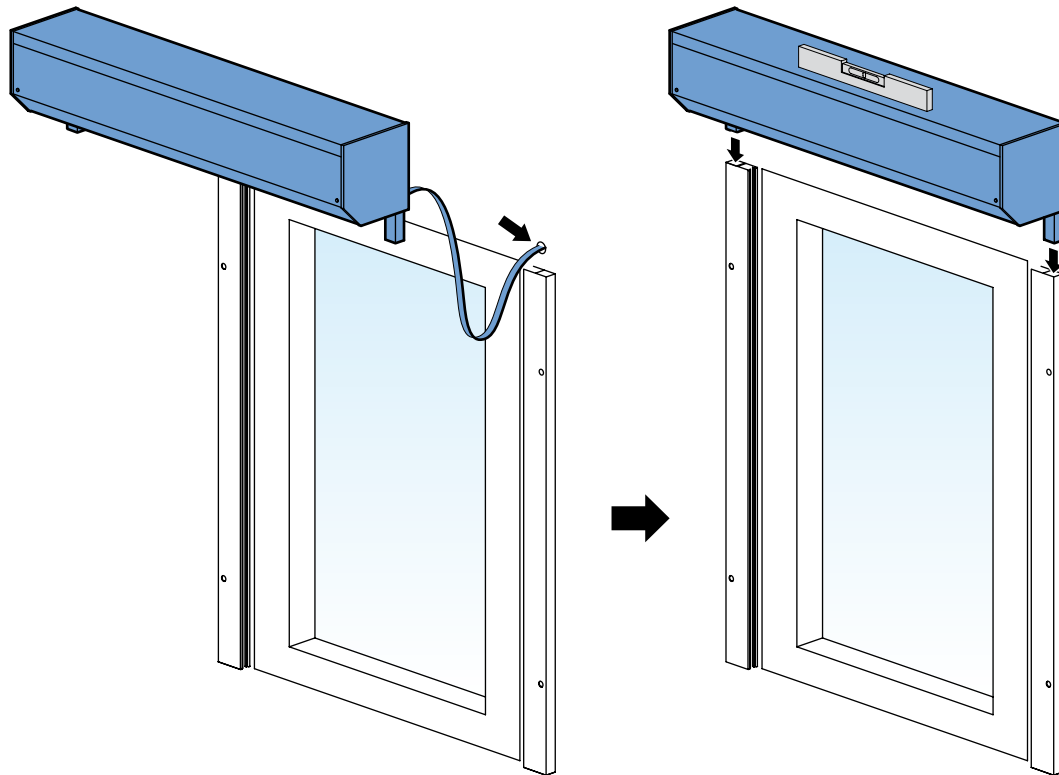


### 1.6 Hole for the control

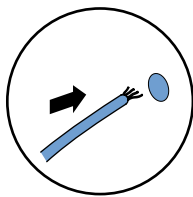
1. Accurate mark the transit hole where the power cord or band needs to come inside for the control. This needs to be at exactly the same height as the place where the power cord or band comes out of the box!
2. Drill the hole for the wall transit.
  - Check before drilling if there are no pipes and such are in the wall!
  - Always use a shelf on the inside of the house, so the stucco can not be damaged.
  - Transit hole for a pull up band: 20 mm (drill 10 mm, than 20 mm).
  - Transit hole for a pull up cord: 12 mm.
  - Transit hole for an electrical power cord: 10 mm.

### 1.7 Placing the box onto the guides

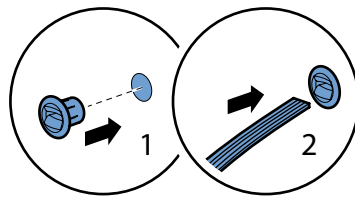
1. Remove the foil on the back of the box. You can leave the foil on top of the box on.
2. Lift the box with two persons.
3. Conduct the electrical power cord or the pull up band through the drilled transit hole to the inside. Make sure that the pull up band is not twisted.
4. Slide the cover brackets, that protrude under the box, in the guides. This needs extra caution, the cover brackets are very vulnerable!
5. Screw the top screws tight in the guides.



power cord



band

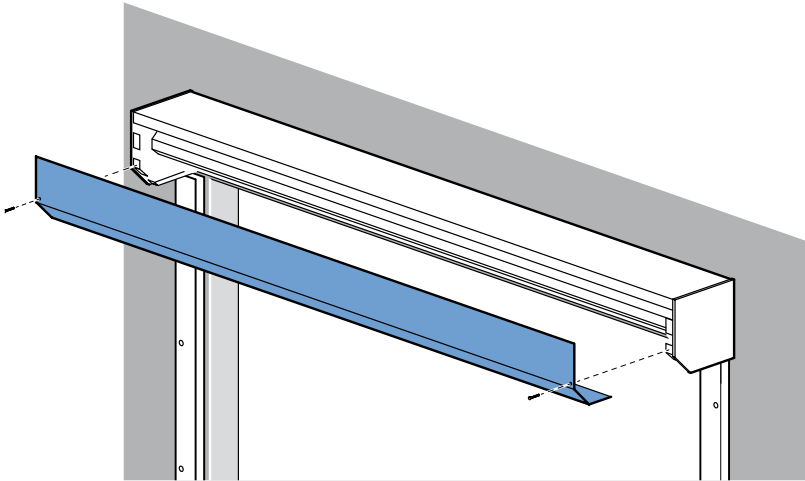


### 1.8 Fixating the box to the wall (optional )

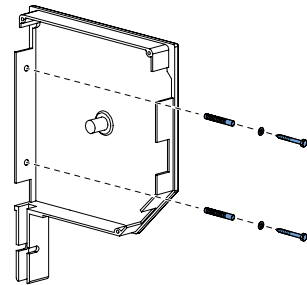
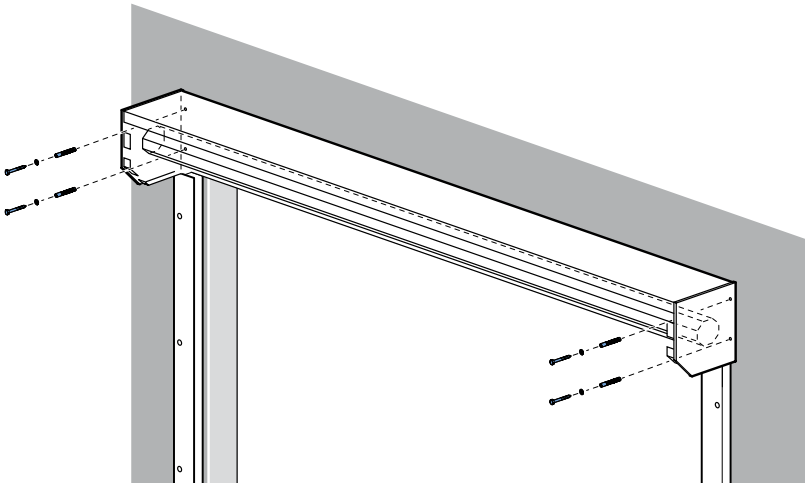
**Attention!** Not possible with Solar roller shutters and when the roller shutter is not engaged, due to a cover plate in the side box that prevents screwing.

Especially for larger dimensions it is advisable to fixate the sidecovers to the wall. This creates a better connection and the legs of the sidecover are less burdened by the pantser weight.

1. Disassemble the front cover of the box.



2. Drill two mounting holes through the sidecover in the wall with a masonry drill.  
Fixate the sidecover against the wall with 2 screws. Use screws, matching plugs and rings of a good quality.

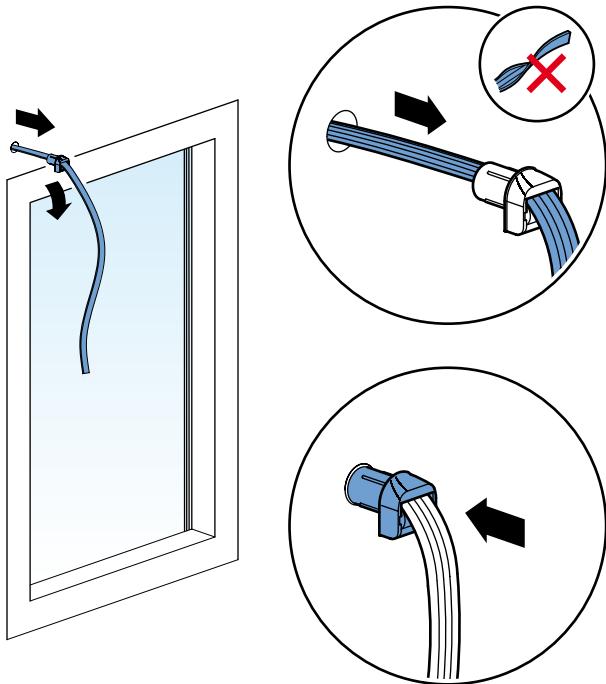


### 1.9 Finishing touch mounting outside

1. Remove the last foil on top of the box and the guides.
2. Close the holes with the protection caps.
3. Place, when needed, the end caps on the bottom of the guides (view figure on page 1). The end caps may NOT be placed when the roller shutter closes on the windowsill or the ground/floor. In that case there will be an opening of 4 mm when closing the roller shutter.
4. Lute the top and sides of the box.  
Electrical control: for the prevention of water dripping inside.  
Manual control: for prevention of dirt and moisture on the power cord.  
Transparent lute gives the best result.

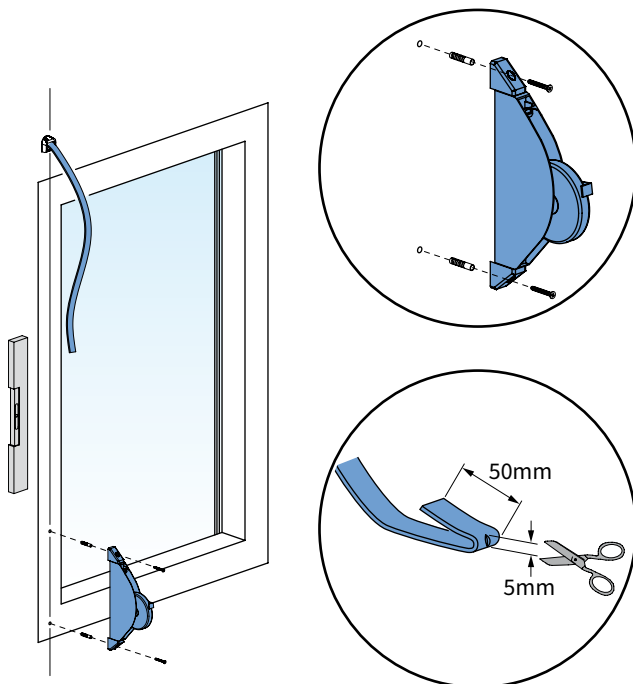


### 2. Installation manual control (inside)



1. Put the pull up band through the pulley on the inside. Make sure that the pull up band is not twisted.

2. Place the pulley in to the control hole.

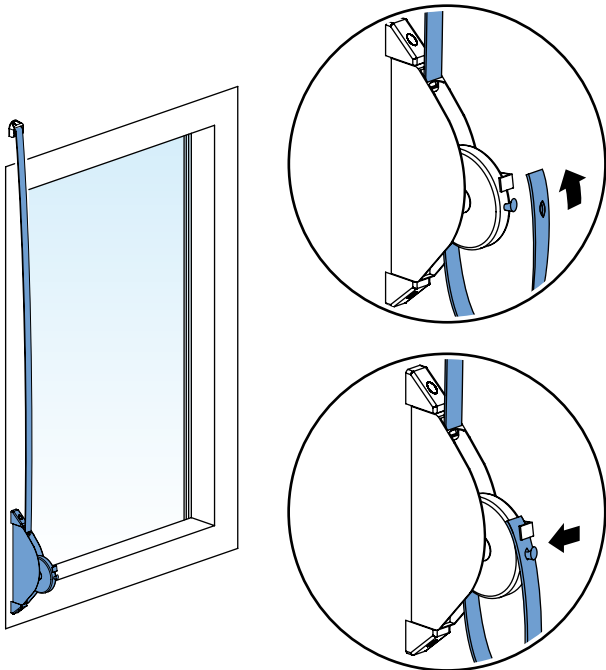


3. Determine the position of the winding mechanism and mark the two holes on the window frame or the wall.  
Attention! The winding mechanism and the band need to be in one line!

4. Drill the holes.

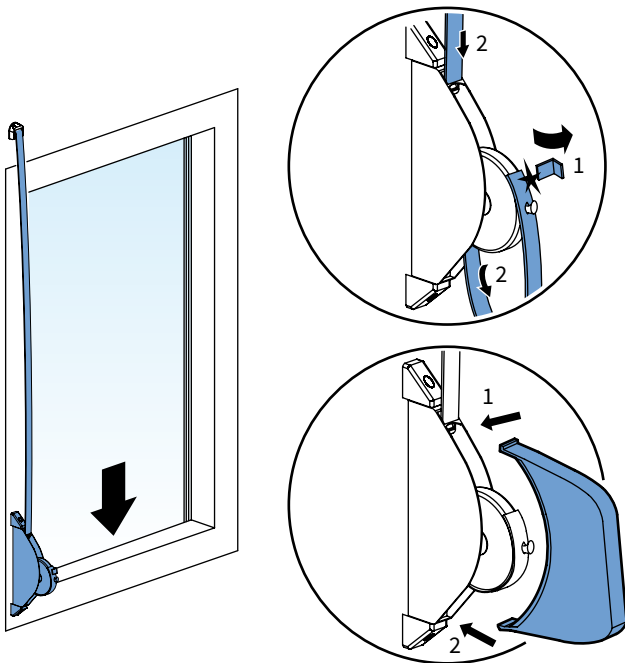
5. Place the wall plugs and mount the winding mechanism with two recessed screws.

6. Fold the end of the pull up band double and snip a small hole.



7. Pull the end of the pull up band through the winding mechanism and place it across the small hole so that it is tightened.

**Caution!** You may not shorten the band in an early stage! The length of the band is needed when you close the roller shutter.



8. Break off the plastic hook so that there is tension on the winding mechanism. Now the full length of the band automatically roles on to the winding mechanism.

9. Place the end cover on the winding mechanism.

10. Remove the red bandage on the outside of the roller shutter and carefully lower the roller shutter.

The manual controlled roller shutter is now ready for use and can be controlled freely from the inside.

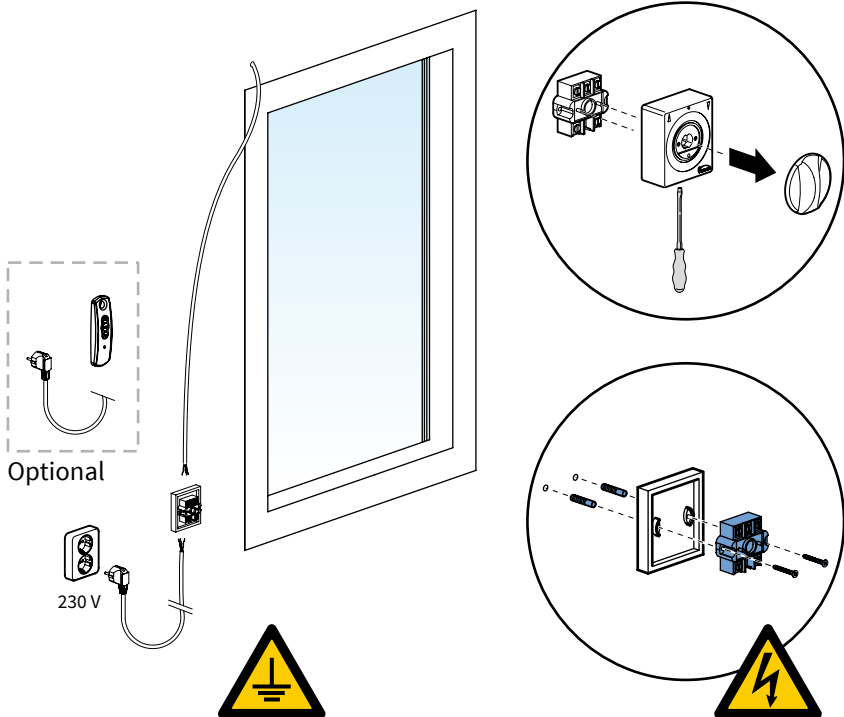
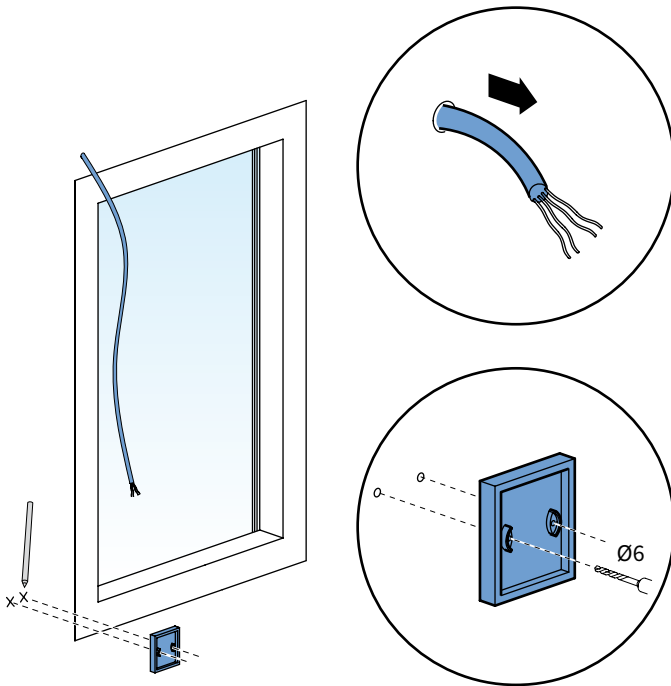
### 3. Installation electrical control (inside)

1. Determine the position of the switch and mark the 2 holes on the wall indoors.

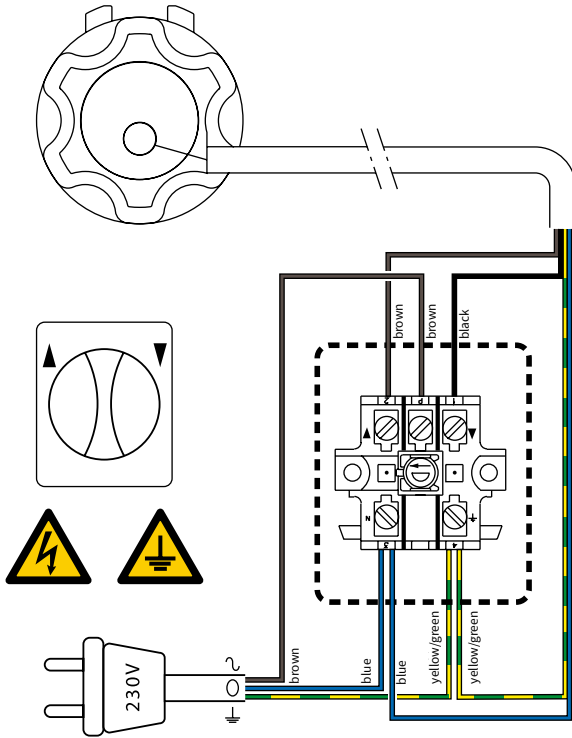
2. Drill the holes with a 6 mm drill.

3. Open the switch using a flat screwdriver.

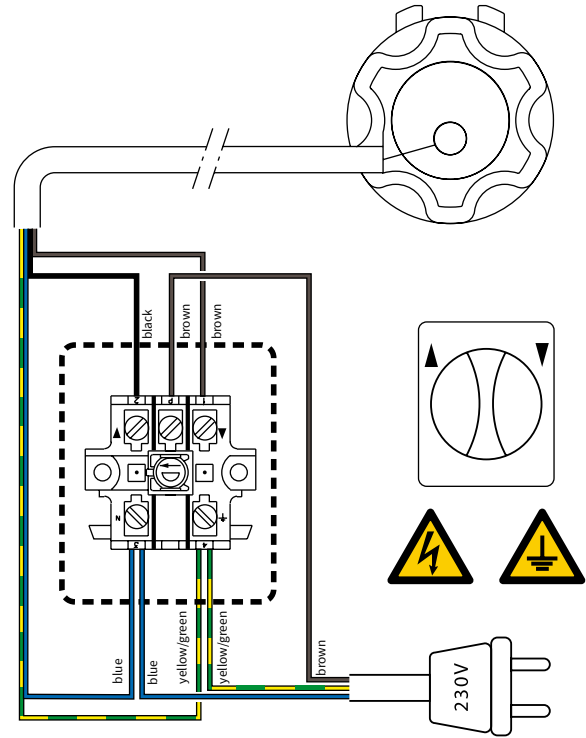
4. Place the wall plugs and mount the switch with two recessed screws. Make sure that the power is turned off and without tension!



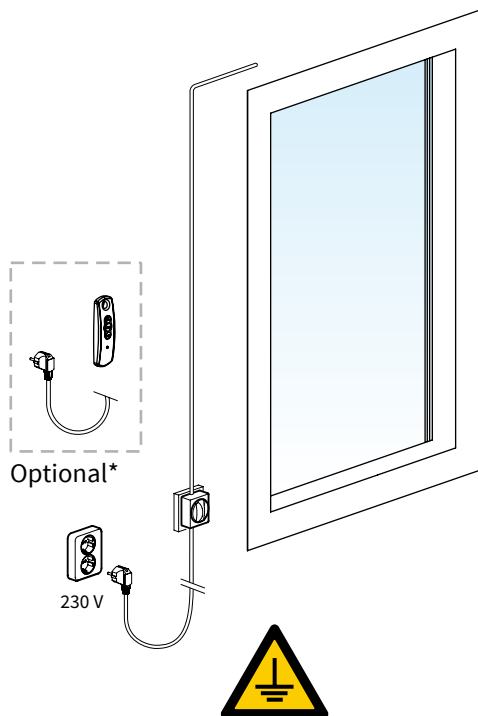
- Connect the 4-core power cord of the motor and the 3-core power cord + switch, following the schedule. If necessary, consult an installer.



Motor left (seen from the outside)



Motor right (seen from the outside)

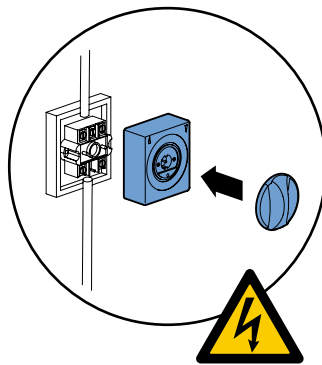


- Mount the switch.

In a situation with a wireless remote control, the 3-core power cord can directly be connected to the socket.

- Put the switch in the socket and turn on the power.

The roller shutter is now ready to be controlled.



\* View the included SOMFY instruction for setting the remote control.

#### 4. Instructions for connecting remote control iMove® solar motor

Scan the QR code for the instructional video.



<https://verano.nl/video-afstelling-solar-motor-rolluiken>