



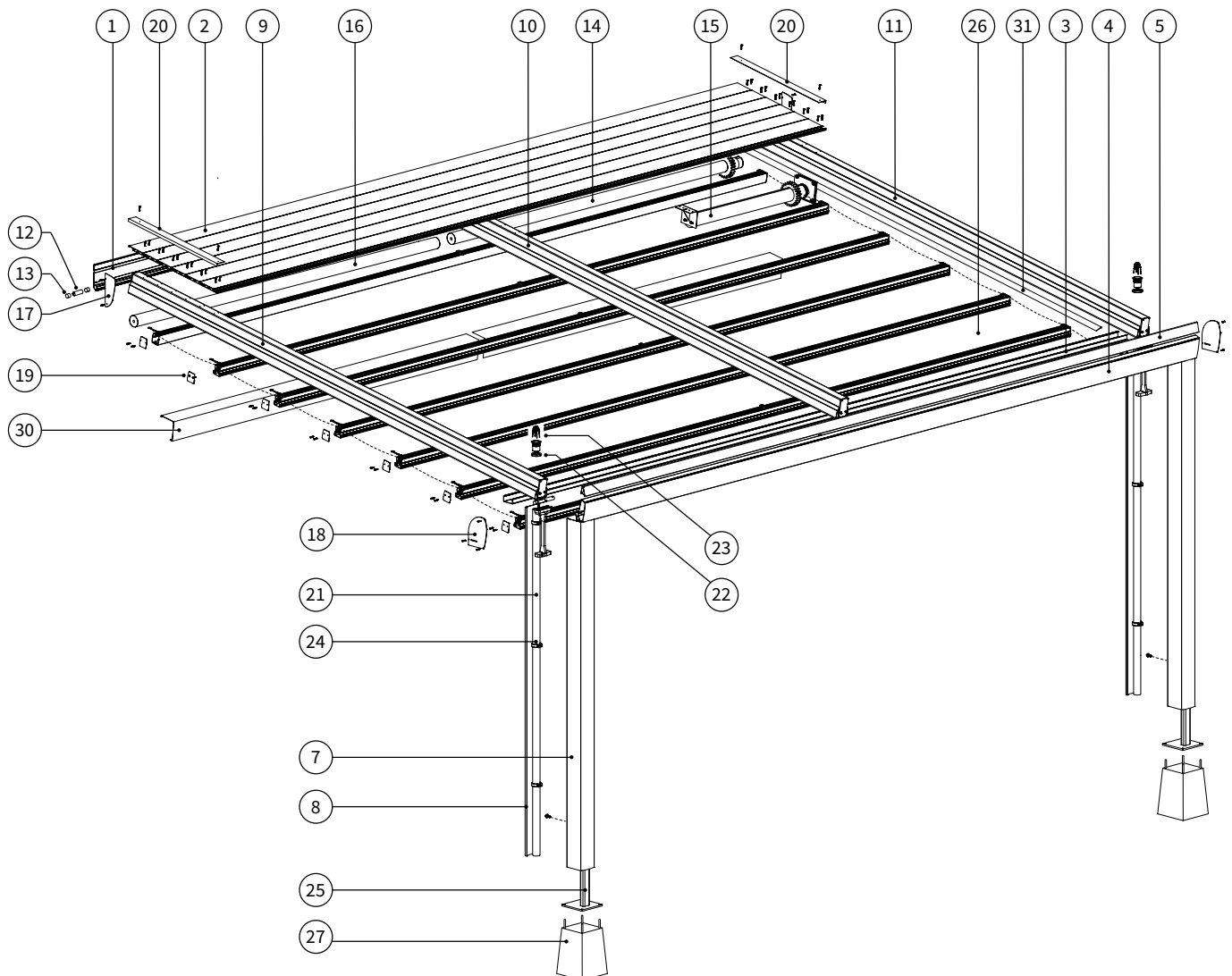
INSTALLATION MANUAL
VERANDA V950 - LUGANO

Table of contents

	page
Index	1
Necessary tools	2
Important before installation	2
1. Installation of the wall profile	3
2. Preparing the gutter	5
3. Preparing the uprights	6
4. Preparing the beams	6
5. Connection of the uprights	7
6. Placing the foundation	9
7. Placing the uprights and the gutter	10
8. Placing the beams	11
9. Placing the drive shafts	12
10. Position and alignment	14
11. Placing the roof panels	15
12. Placing the engine	16
13. Placing the fabric with ribs	17
14. Placing the drainage	19
15. Upright finish	19
Optional	
16. Connecting	20
17. Connecting lighting	21

Index

- | | | |
|--------------------------------------------------|------------------------------------|------------------|
| 1. Wall profile | 16. Drive shaft (without sprocket) | 31. Seal profile |
| 2. Roof panel | 17. End cap wall profile | |
| 3. Gutter | 18. End cap gutter | |
| 4. Front side gutter | 19. End cap rib | |
| 5. Cover profile gutter | 20. Corner profile for roof panels | |
| 6. Connection piece upright/gutter | 21. Drainage tube Ø 50 | |
| 7. Upright | 22. Screwable drainage | |
| 8. Cover plate upright | 23. Leaf catcher Ø 50 | |
| 9. Beam complete left | 24. Clamping support Ø 50 | |
| 10. Beam complete middle (from 3,5 meter) | 25. Installation foot | |
| 11. Beam complete right | 26. Fabric with ribs, installed | |
| 12. Beam connection shaft (1 piece per beam) | 27. Concrete base (optional) | |
| 13. Connection piece filling (2 pieces per beam) | 28. Remote control | |
| 14. Drive shaft with sprocket | 29. Compri tape | |
| 15. Engine unit | 30. Corner profile | |



Necessary tools/ material

- Drilling machine
- Metal drill 6/8/10 mm
- Stone drill 6/8/10 mm
- Crosshead screwdriver
- Allen key set
- Tapeline
- Level
- Pencil
- Cutting plier
- Flathead screwdriver
- Silicone kit
- Compri tape

Important before installation

General warning

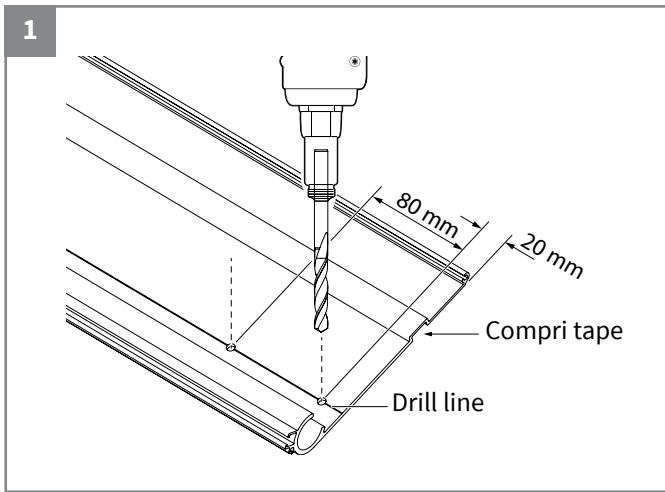
Installing the Verano® product yourself is at your own risk. Only use this instruction as a tool and for the installation of this specific Verano® product. If you cannot install the product yourself, you can always opt for professional installation. The installation team of Verano® is pleased to help you.

Be careful for damages

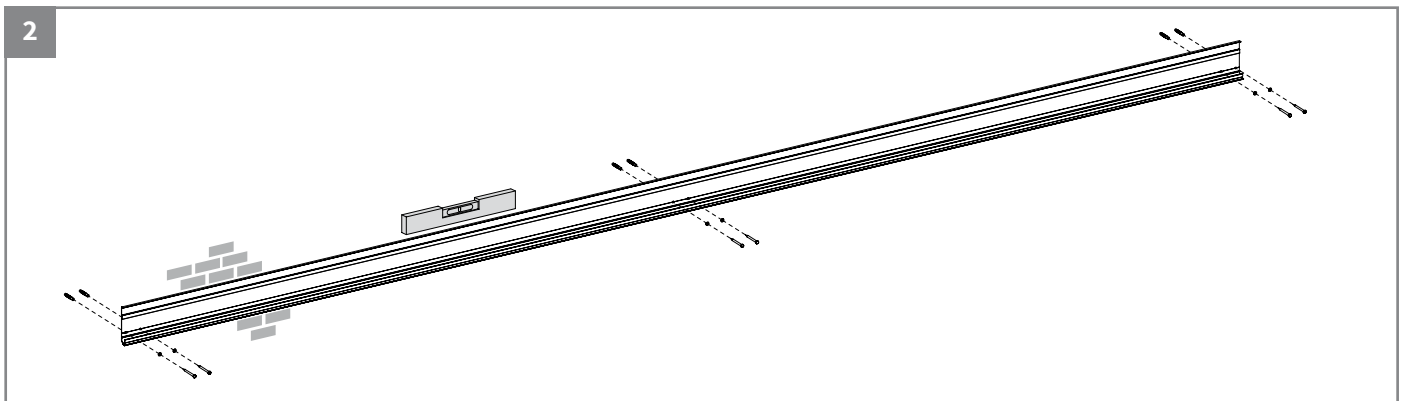
Don't use a knife or any other sharp object when opening the packing. This may cause damage to the content of the package. Put the content of the package on a soft surface. Be careful when drilling, falling drill cuttings can cause damages.

Check if the façade is flat.

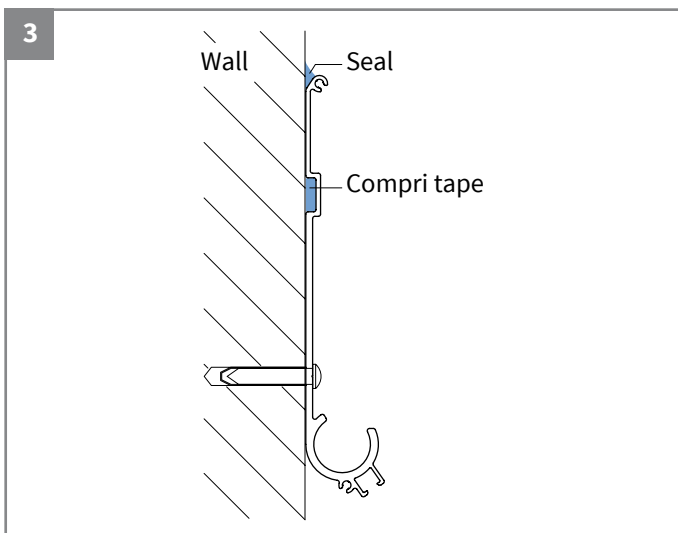
1. Installation of the wall profile



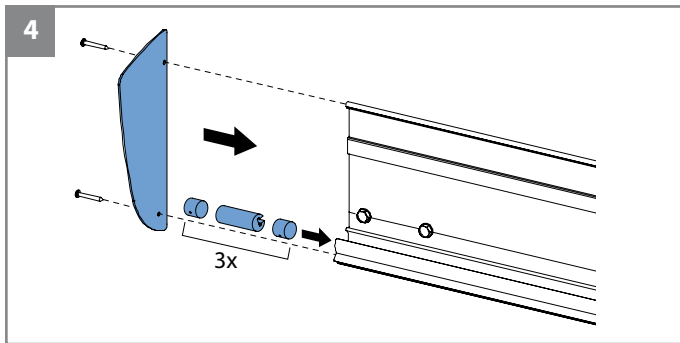
- Drill 2 holes into the wall profile at the height of every beam. Drill on the drill line. Use a metal drill \varnothing 8 mm.
- Place the compri tape in the recess of the wall profile.



- Mark a line on the wall that indicates the location of the lower side of the wall profile. Place the wall profile on the line and mark the holes as they are pre-drilled in the wall profile.
- Drill the holes with a concrete drill 8 mm. Make sure that the wall profile is level.
- Install the wall profile. Screws, plugs and rings are not included in the delivery. Use at least a 8 mm plug and M8 screw to install the wall profile completely.



- Seal the complete edge of the wall profile at the top.



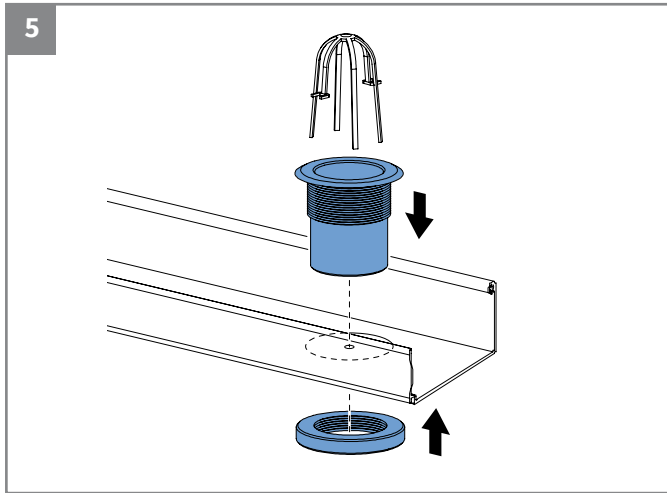
- Slide the beam connections, three pieces per beam, into the wall profile.
- Install the end cap to the wall profile.



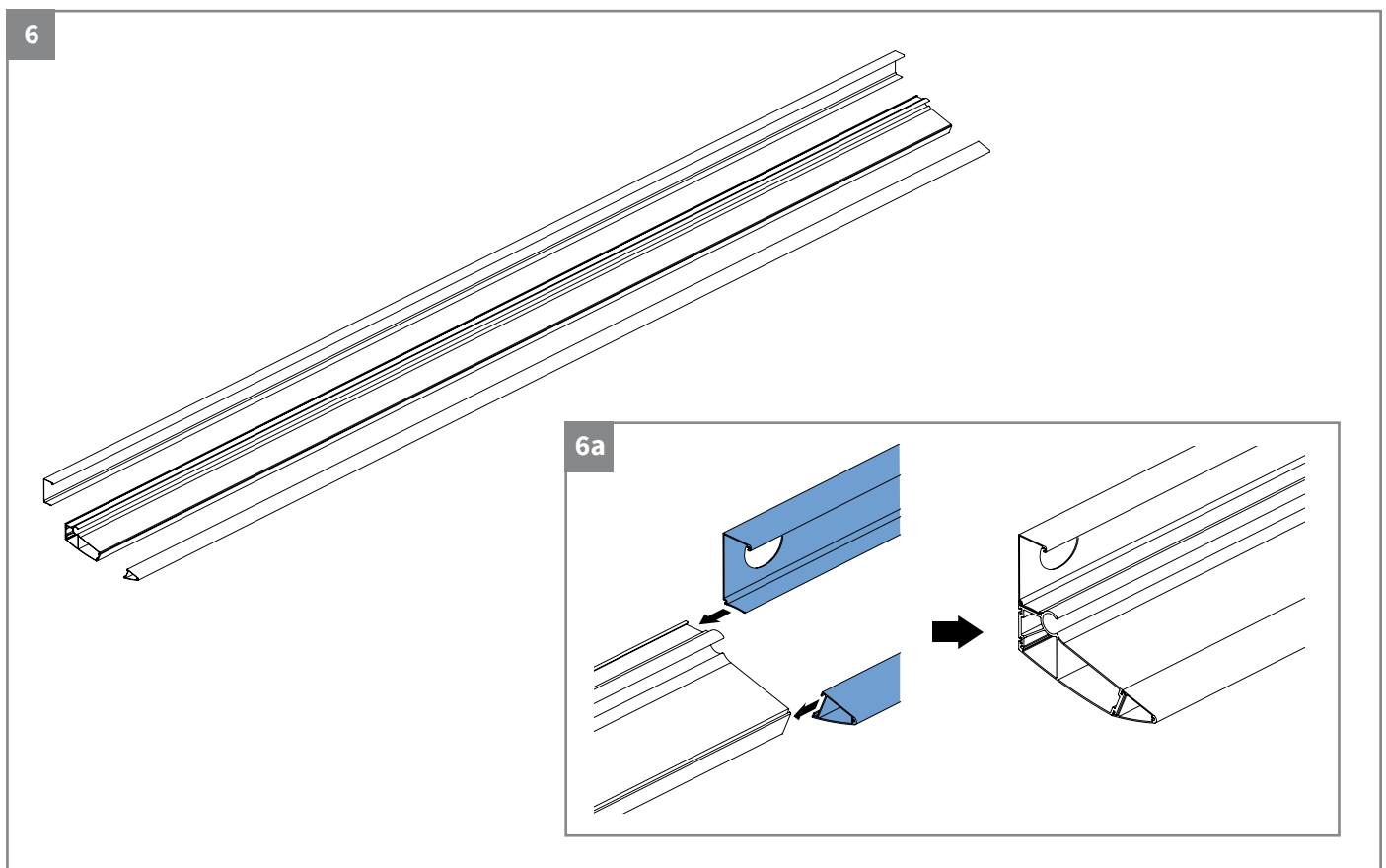
ATTENTION!

With a connected Lugano, you must now install the connecting piece in the wall profile instead of the end cap. See page 20 'Connecting'.

2. Preparing the gutter



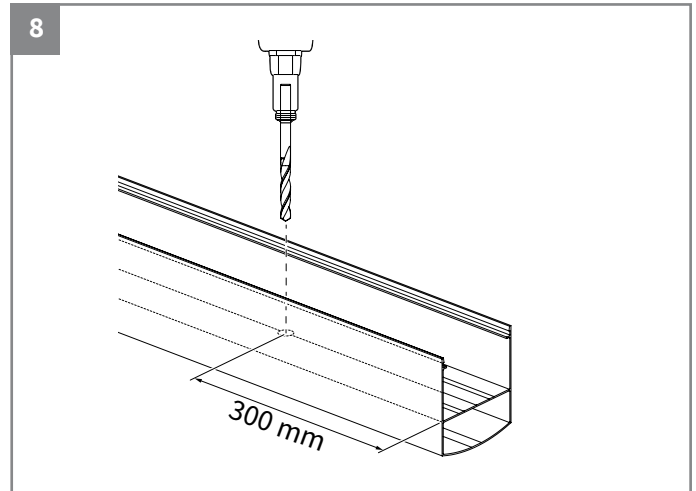
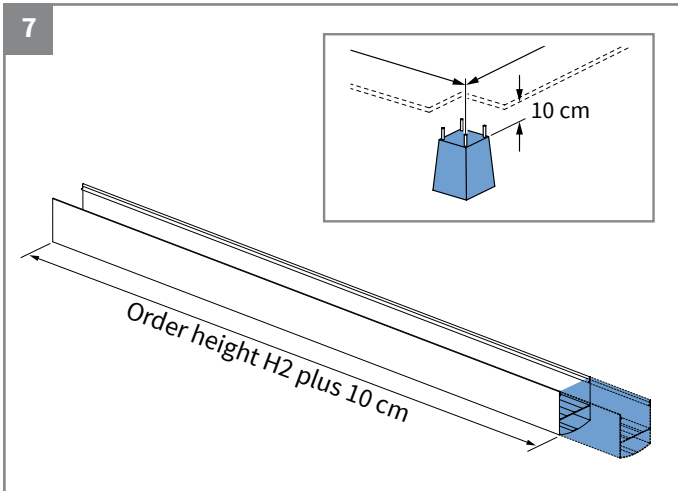
- Install the screwable drainage and the leaf catcher to both the drainage holes in the gutter.
- For a perfect sealing, seal the lower side of the drainage before you place it into the hole.



- Slide the three gutter profiles into each other.

3. Preparing the uprights

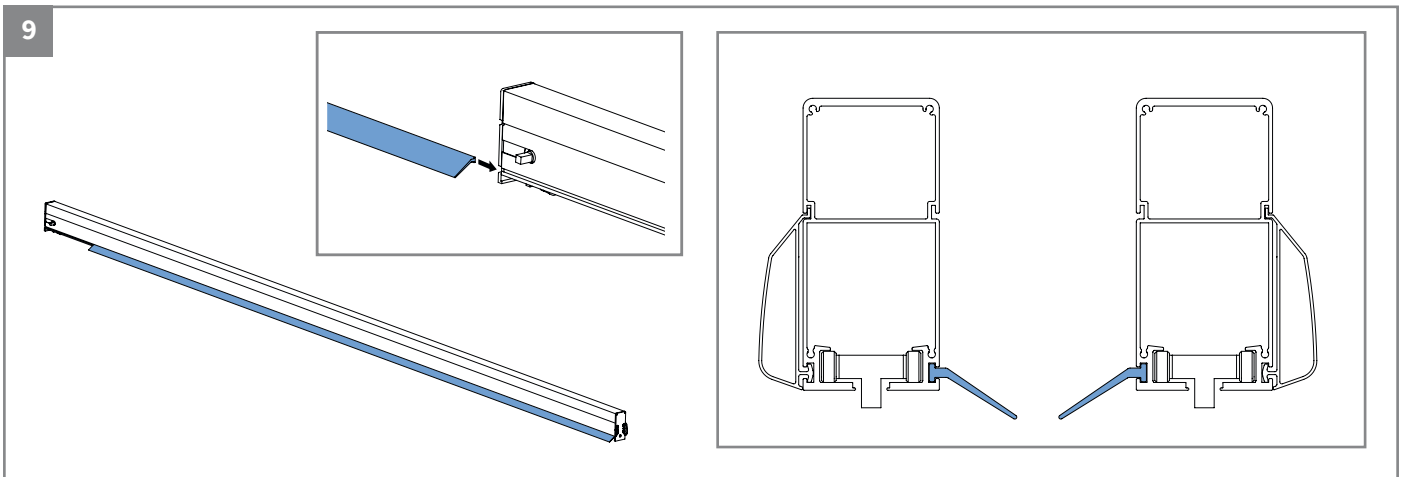
The uprights are standardly 250 cm long and need to be customized by you. The size of the uprights is 10 cm longer than size H2. You have noted size H2 on your order form. H2 is the size measured from the surface/terrace up to the lower side of the gutter profile. The extra 10 cm is the size from the terrace up to the top side of the concrete base.



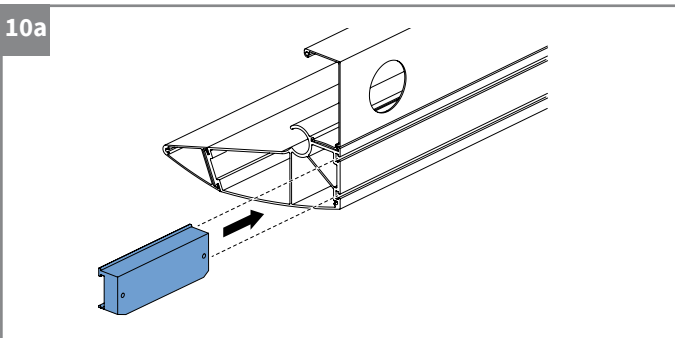
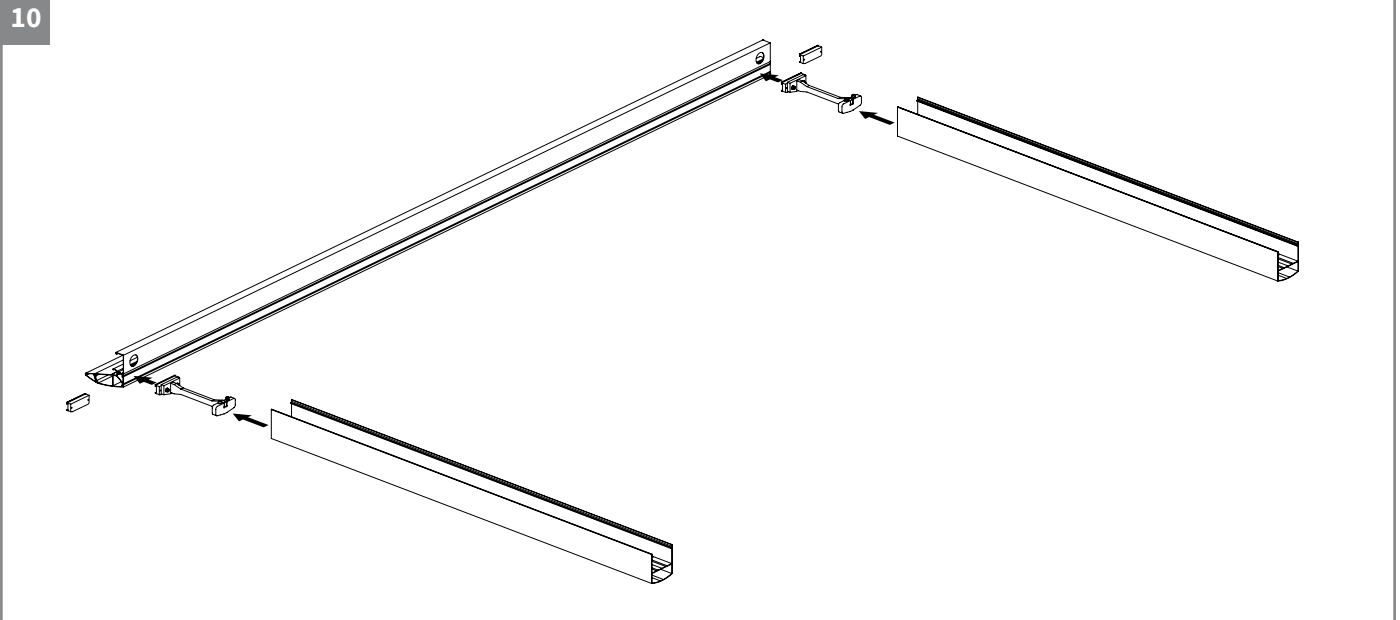
- Saw the uprights custom.
Attention! Don't saw the side where the pre-drilled hole for the connection piece is located.
- Drill a 13 mm hole 300 mm from the lower side. This hole is drilled for the fixation of the foot plate later on.

4. Preparing the beams

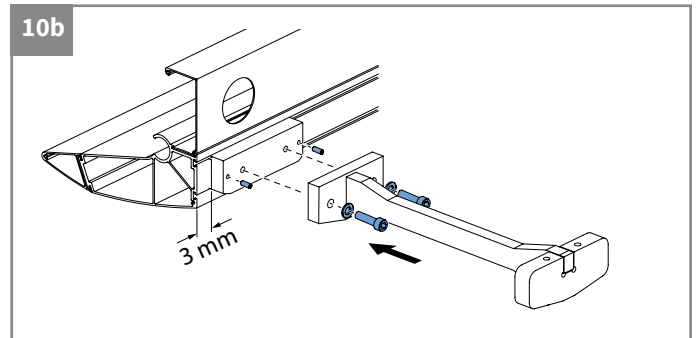
Slide the sealing profile into the two outer beams. These can later be cut to size.



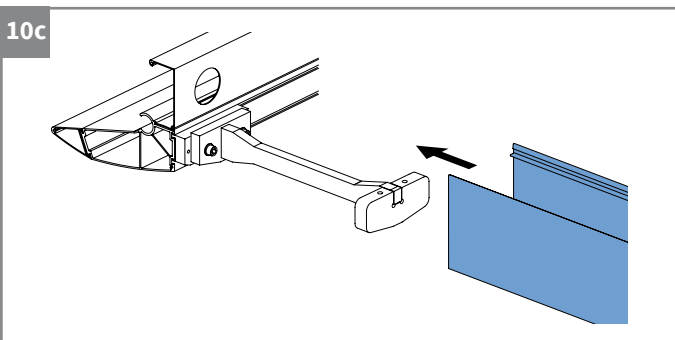
5. Connection of the uprights



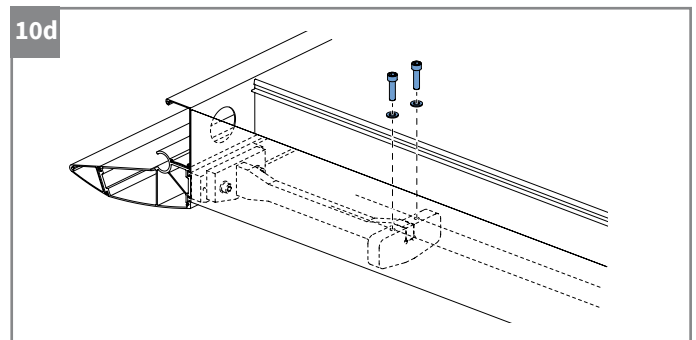
- Slide the connection block into the lower side of the gutter.



- Fixate the connection block 3 mm from the edge with two hexagon screws.
- Install the connection piece to the connection block with two screws.

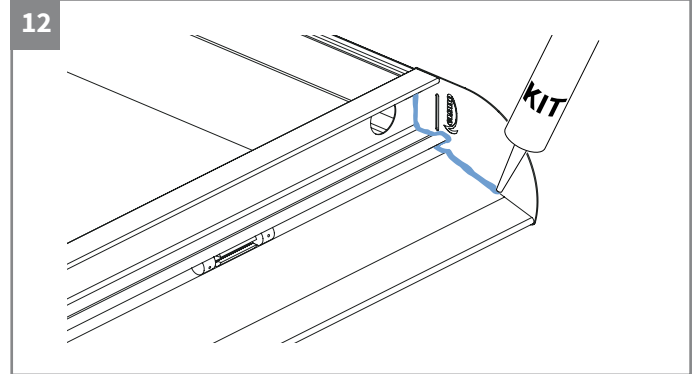
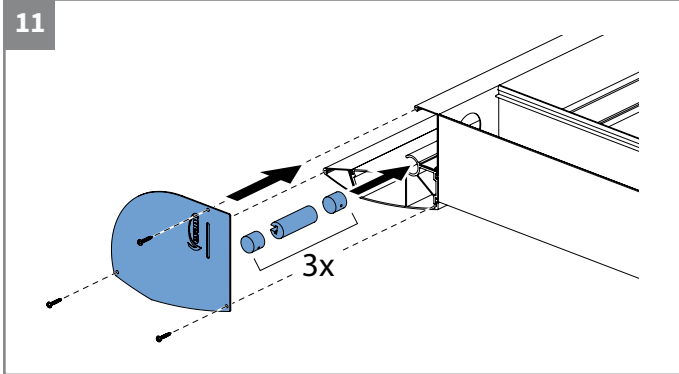


- Slide the upright over the connection piece all the way up to the gutter.



- Fixate the upright to the connection piece using two screws.

Attention! The side of upright perfectly connects to the side of the gutter.



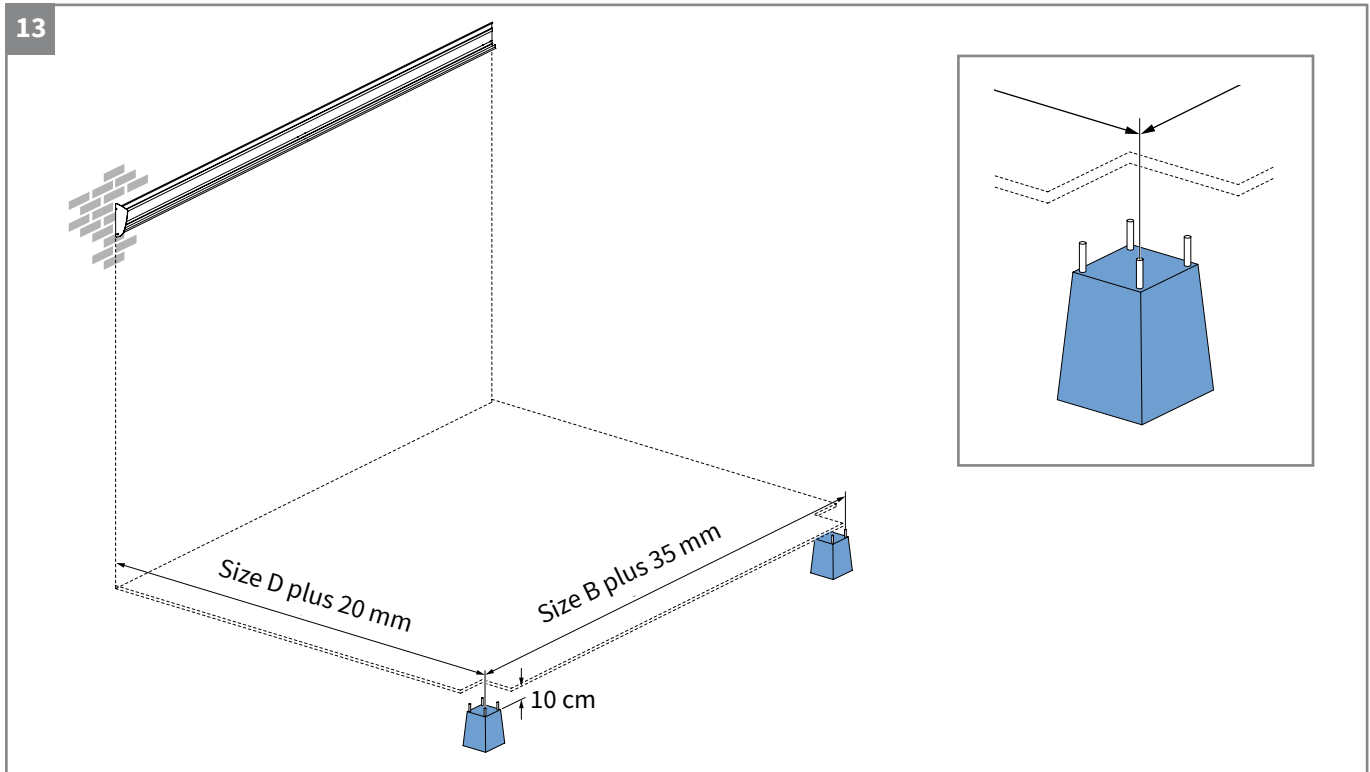
- Slide the beam connections, three pieces per beam, into the gutter.
- Install the end cap to the gutter on both sides.
- Seal the inside of the end cap.



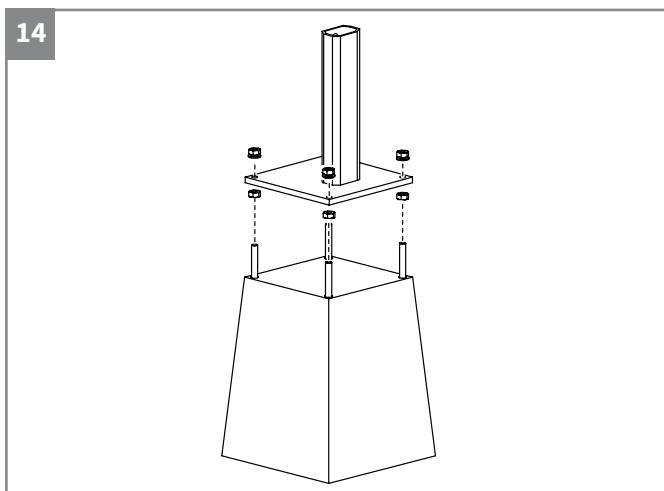
ATTENTION!

With a connected Lugano, you must now install the connecting piece in the wall profile instead of the end cap.
See page 20 'Connecting'.

6. Placing the foundation

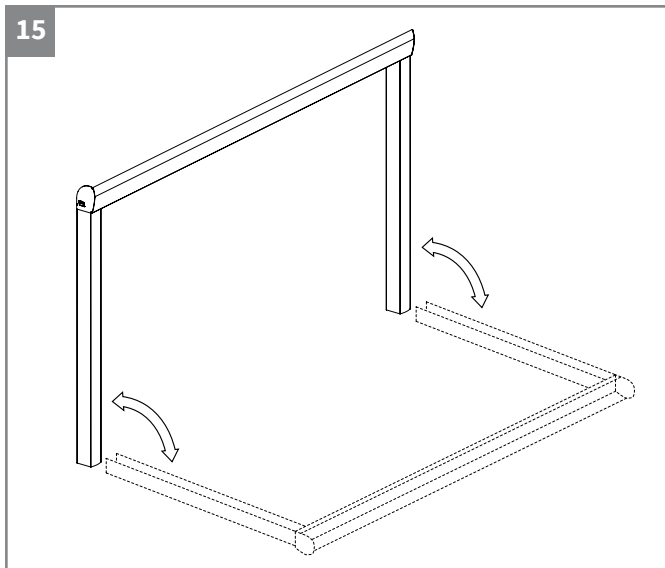


- Place the concrete bases as precisely as possible into the ground at the right position below the gutter. Make sure that the top of the concrete bases are placed at least 10 cm below the terrace level. Make sure that they are levelled.
- The distance between the foundation blocks and the wall is size D plus 20 mm.
- You already noted size D on your order form.
- The distance between the uprights is size B plus two times 17,5 mm.

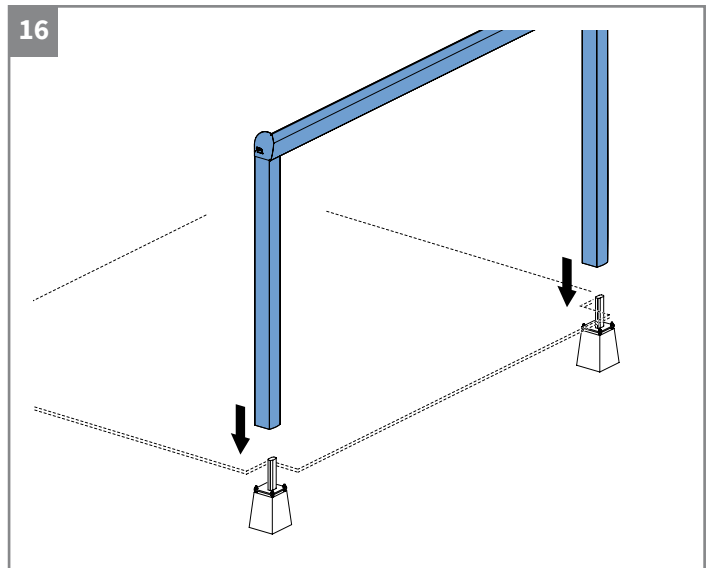


- Install the foot plates to the concrete bases.

7. Placing the uprights and the gutter

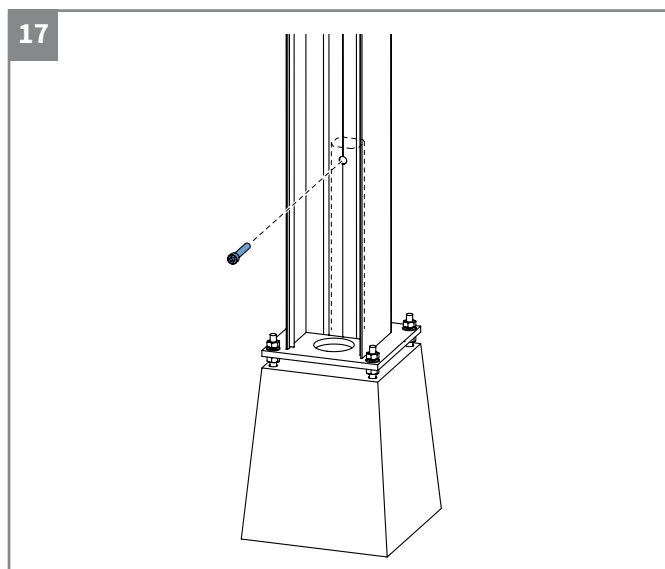


- Straighten the uprights with the gutter.



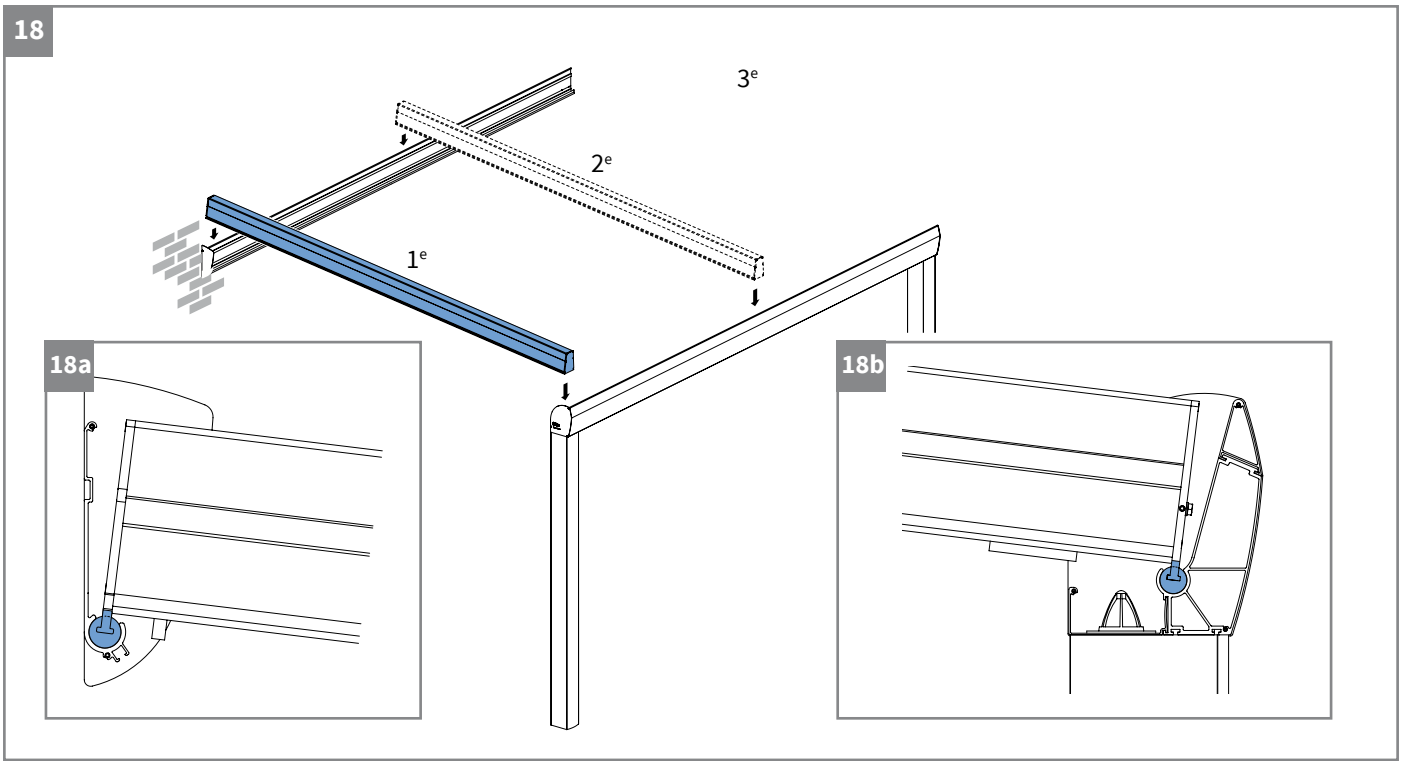
- Place the uprights over the installation feet and fixate levelled. The foundation blocks have welded threaded ends with each two nuts, thus the uprights can be adjusted in height.

Attention! Make sure that the concrete bases are stable and fixated into the ground. The uprights now need to support the gutter. Possible struts can be removed.

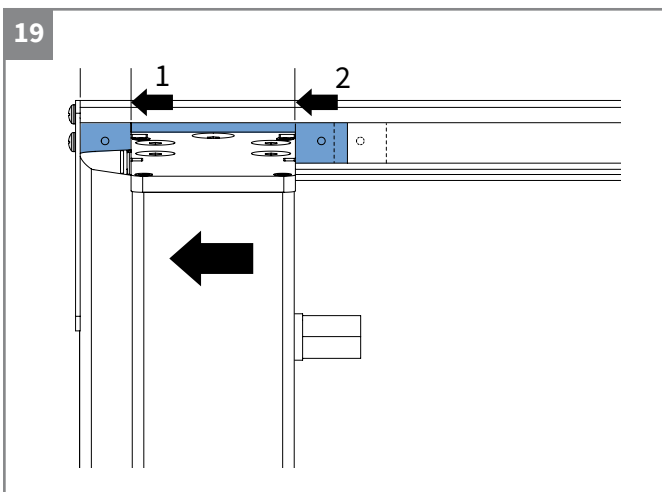


- Screw the upright to the installation foot.

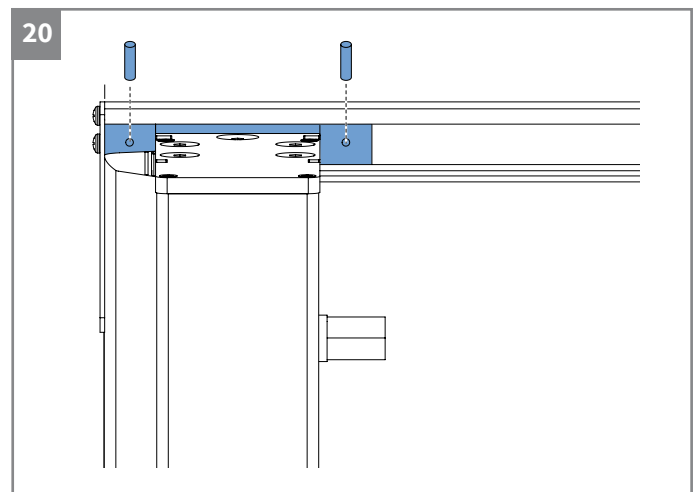
8. Placing the beams



- Place the first beam on the side of the engine (where the end caps are installed).
- Slide the beam connection below the beam to its place. Do this at the wall profile and the gutter.



- Slide the connection pieces and the beam tightly to the end cap.

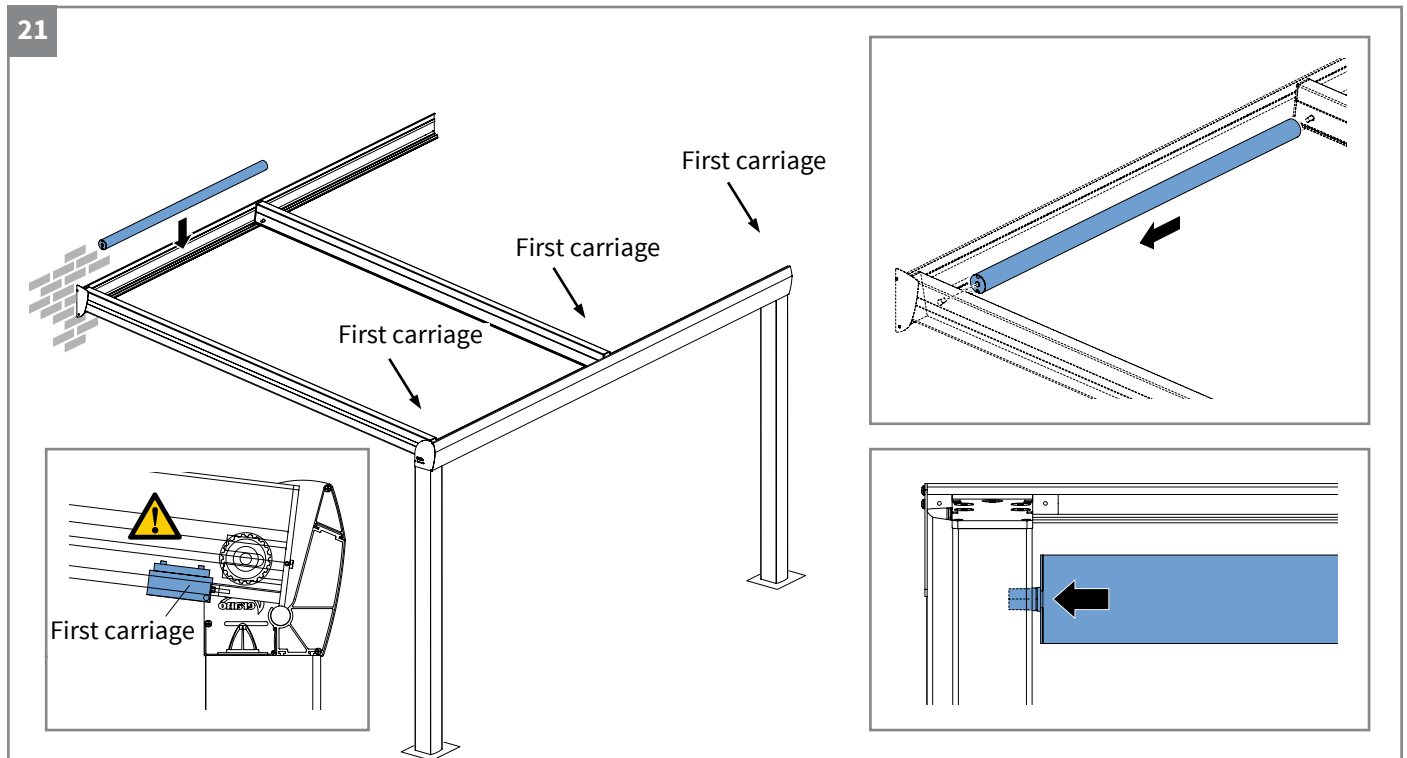


- Screw the connection pieces on the left- and right side to secure the beam.
- Do this at the wall profile and the gutter.

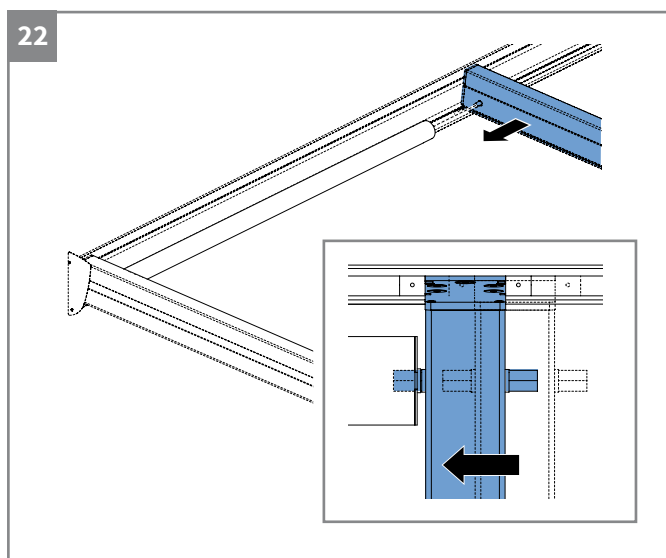
Place the second beam, but do not secure it yet!

9. Placing the drive shafts

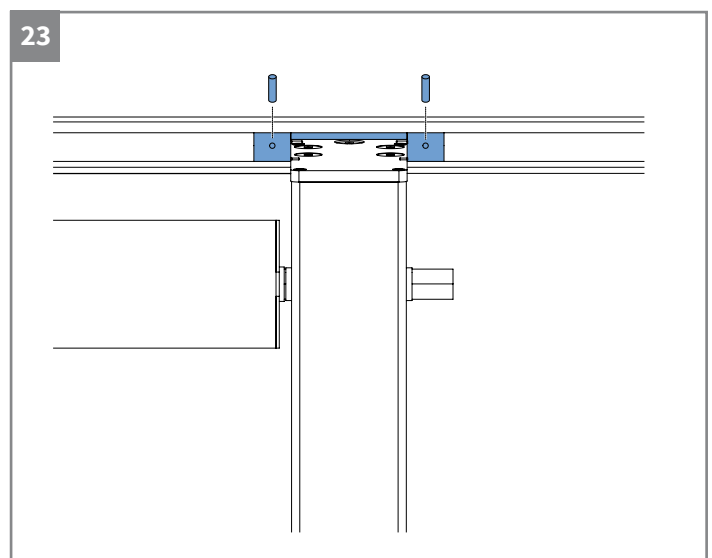
The motor is positioned on the right as standard. When positioning the tube, make sure that the gear wheel is on the side where the motor plate is mounted on the the motor plate is mounted on the beam.



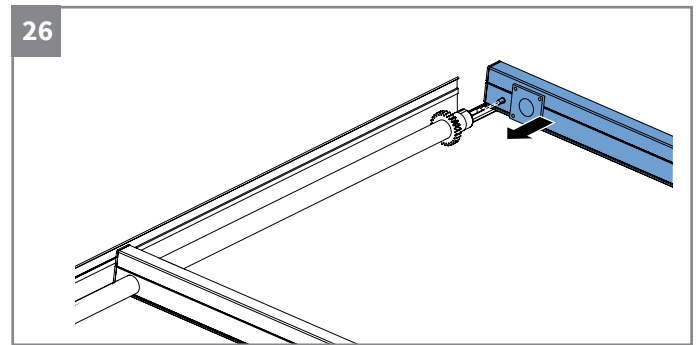
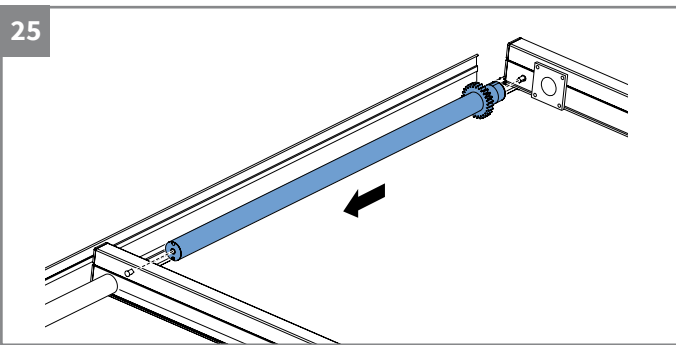
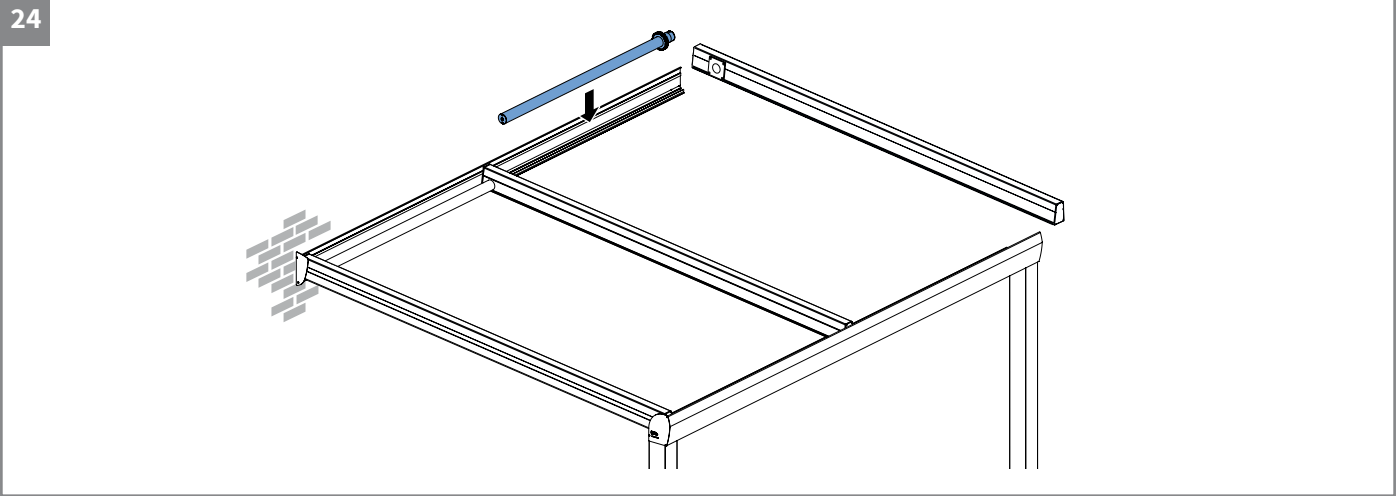
- **⚠ Attention! Before you place the tube, check if the first carriages in the beams are in front position to the bolt in the gutter!**
- Place the tube against the side beam.



- Slide the center beam tightly against it.



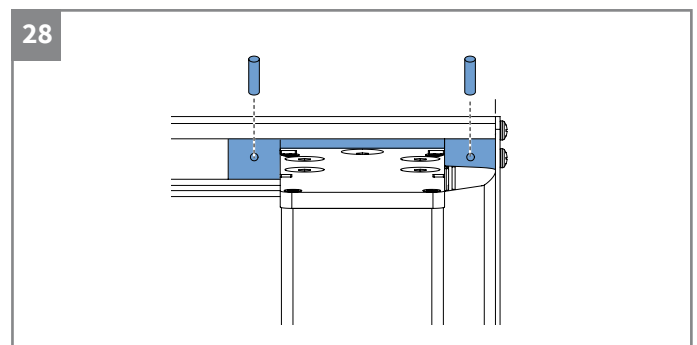
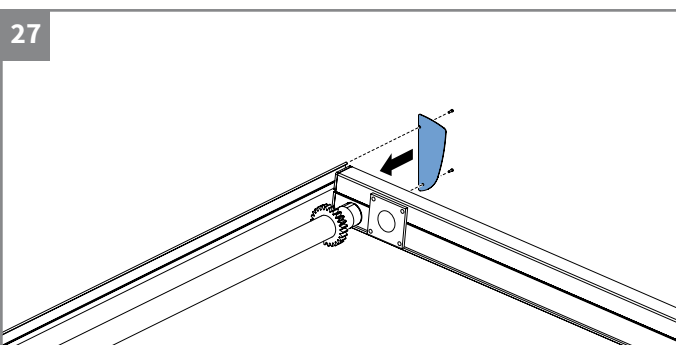
- Screw the connection pieces on the left- and right side to secure the center beam.



- Place the drive shaft against the centre beam. To make space, slide the side beam and the connection piece to the side.

- Slide the side beam and the outermost connection piece against it.

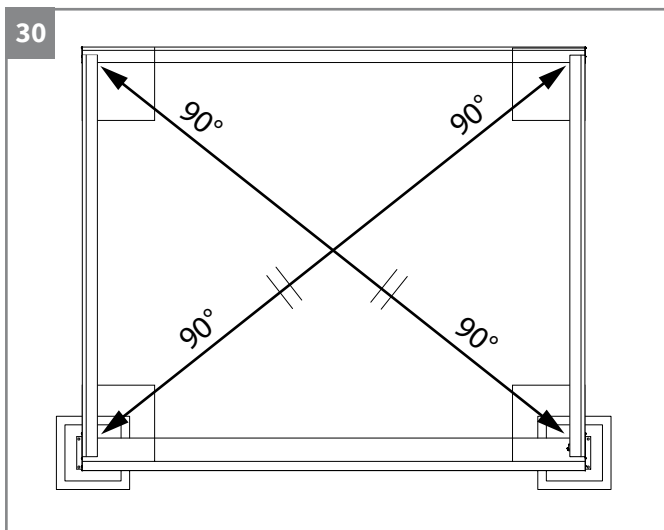
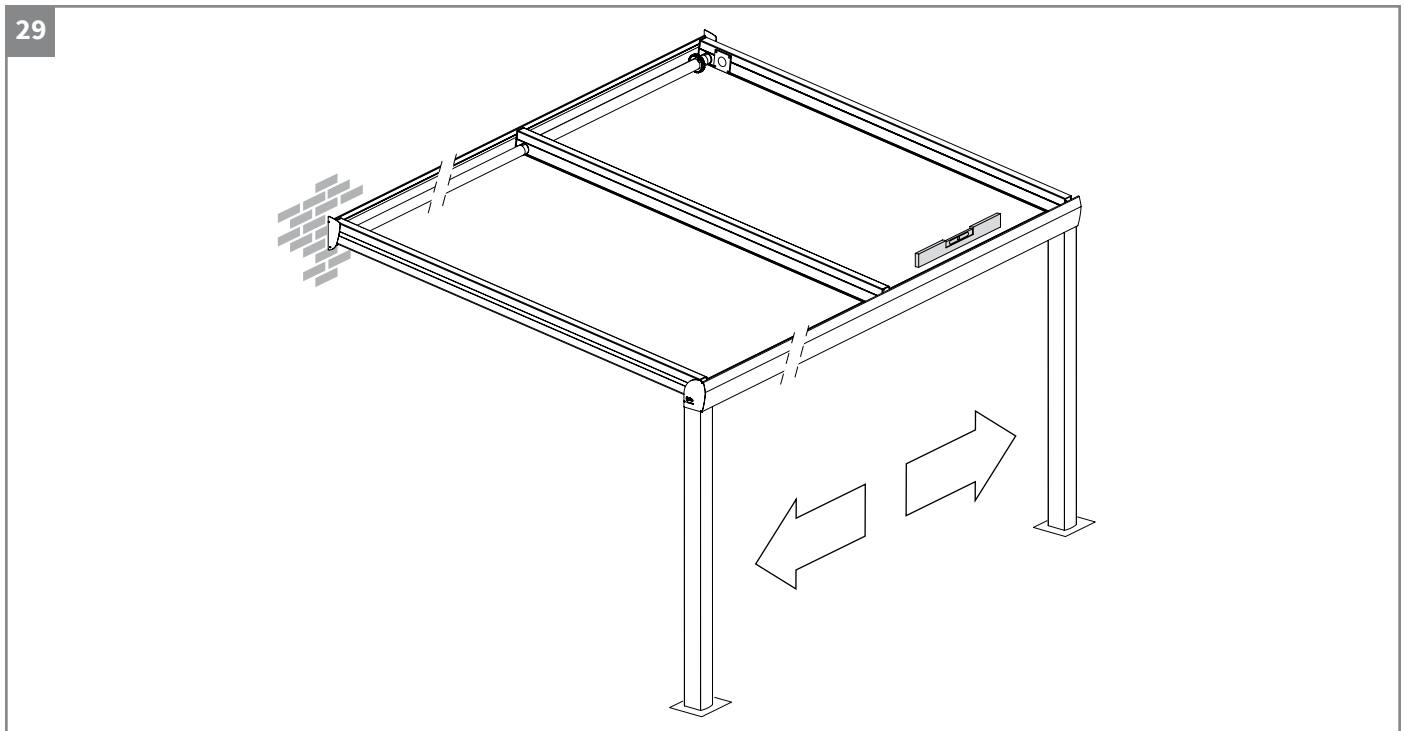
Note the position of the first carriages in the beams!



- Install the second end cap to the wall profile.

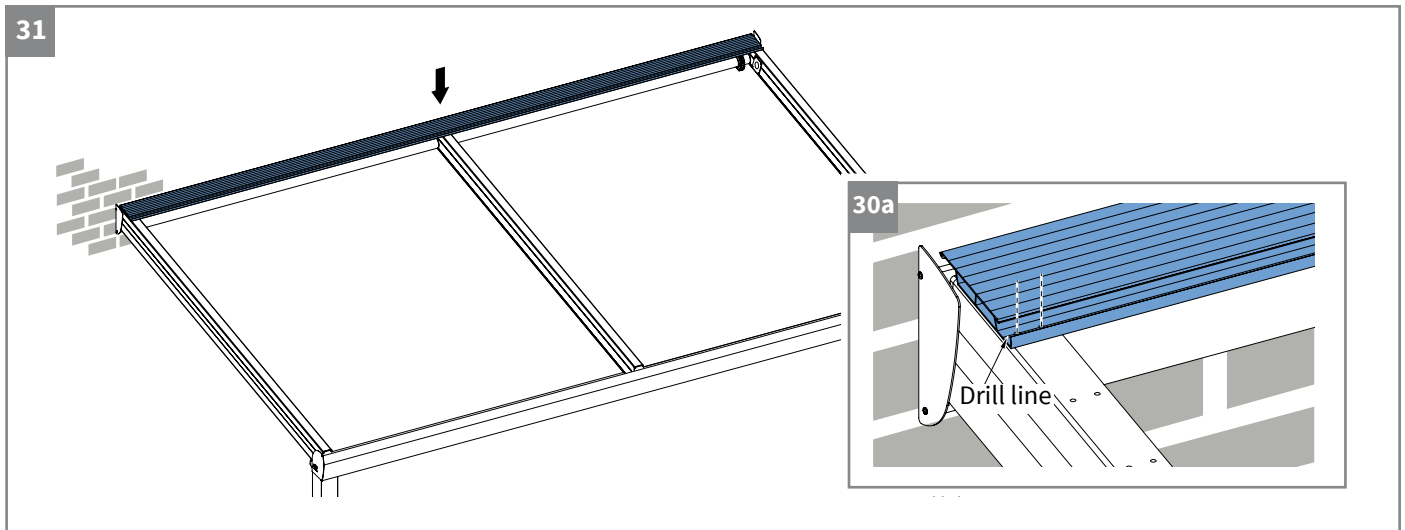
- Screw the connectors on the left and right side to secure the beam.
- Do this at the wall profile and at the gutter.

10. Position and alignment

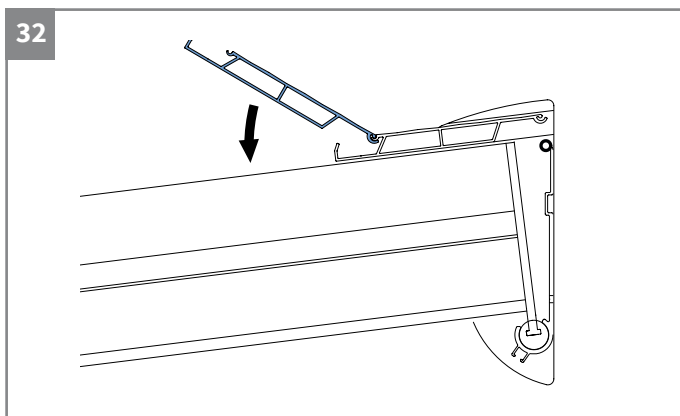


- Measure diagonally and check if the sizes are the same.

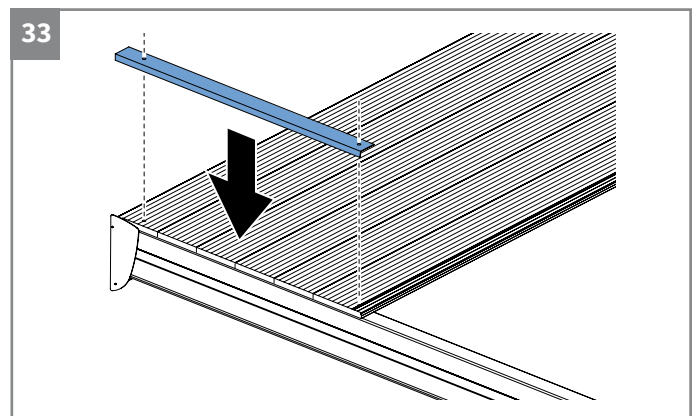
11. Placing the roof panels



- Place the first roof plate and screw it to the beams.



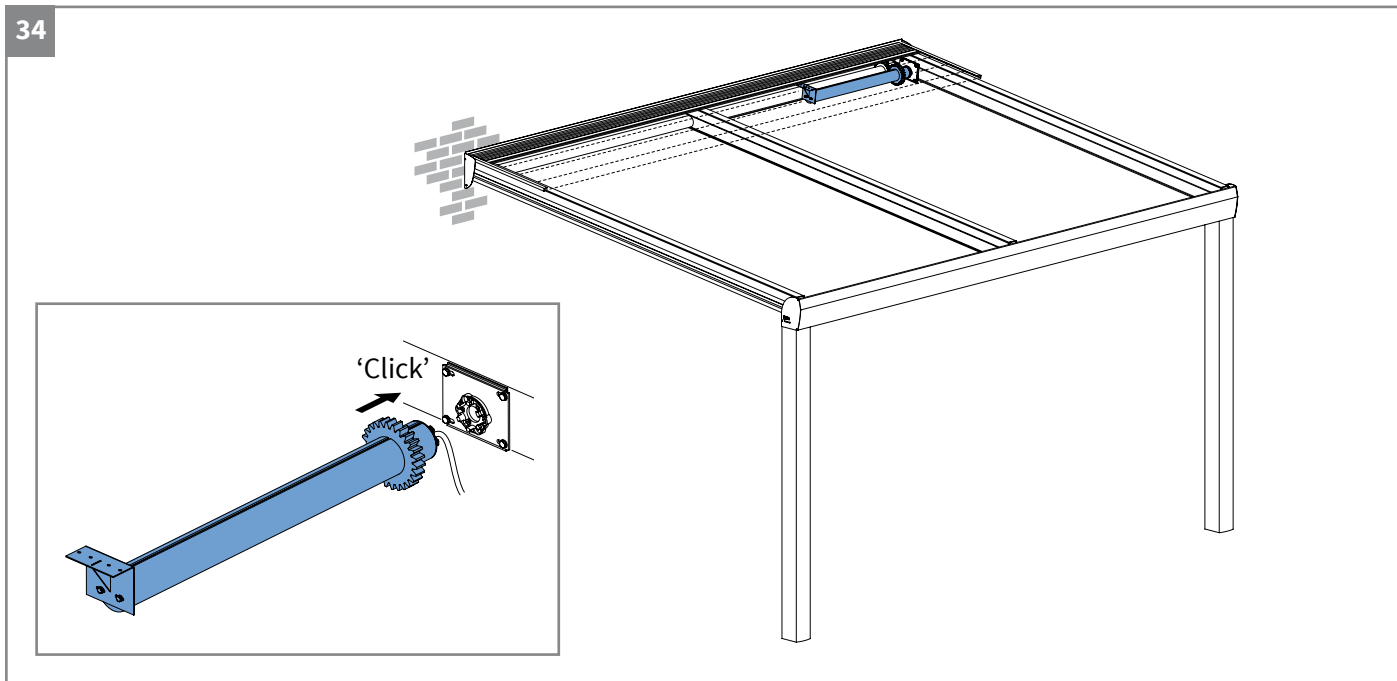
- Install the second and other roof plates the same way.



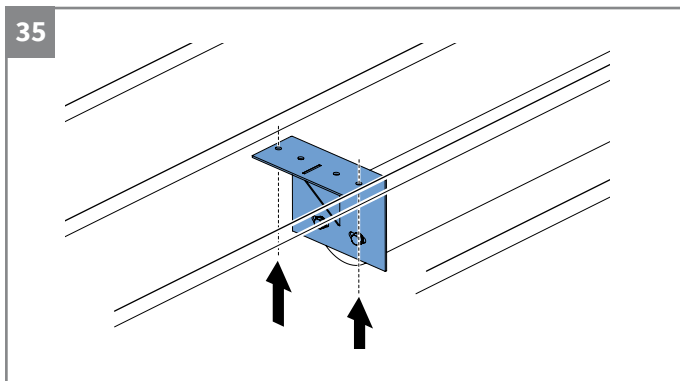
- Install the corner profiles.

Attention! The 2nd roof plate is where the motor unit is on which the motor unit is mounted. See step 34. This roof plate is fitted with with blind rivet nuts.

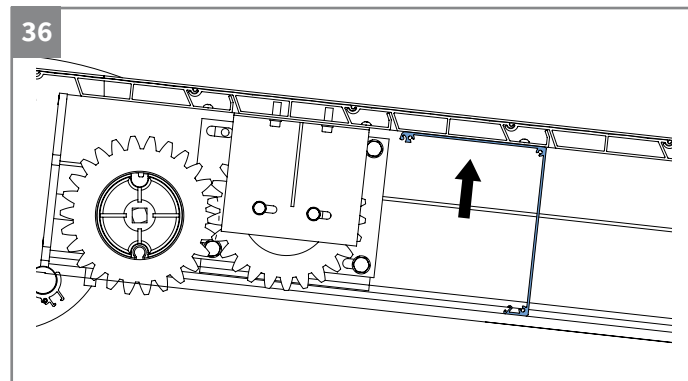
12. Placing the engine



- Place the engine unit. Click the tube on the support of the engine plate. The sprockets now stack inside each other.

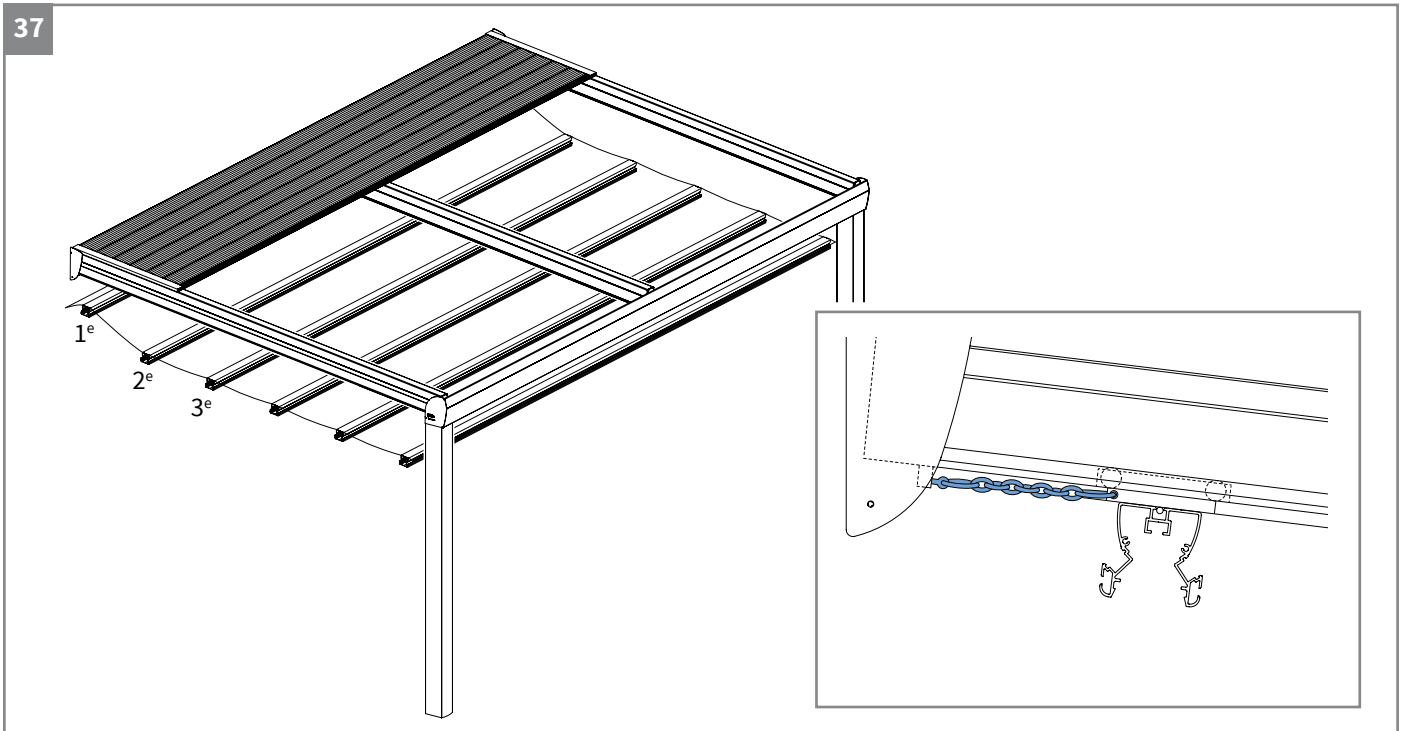


- Screw the engine unit from the lower side to the roof plate in the pre-drilled installation holes. (The position of the screw hole can vary regarding the drawing.)

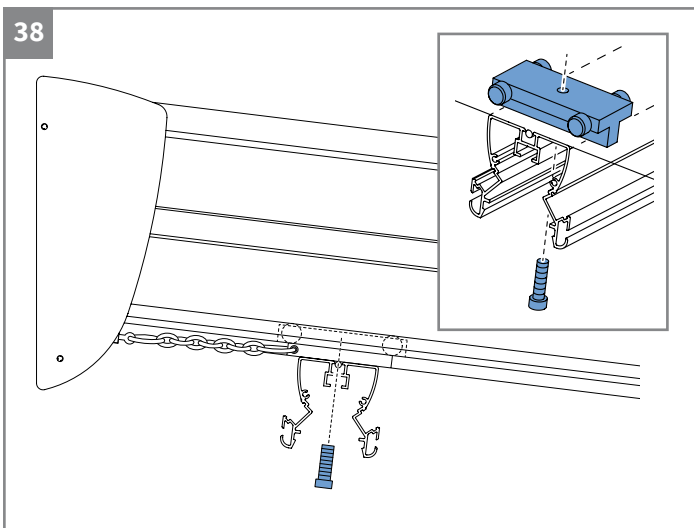


- Screw the corner profiles to the bottomside of the third roof plate in the pre-drilled installation holes.

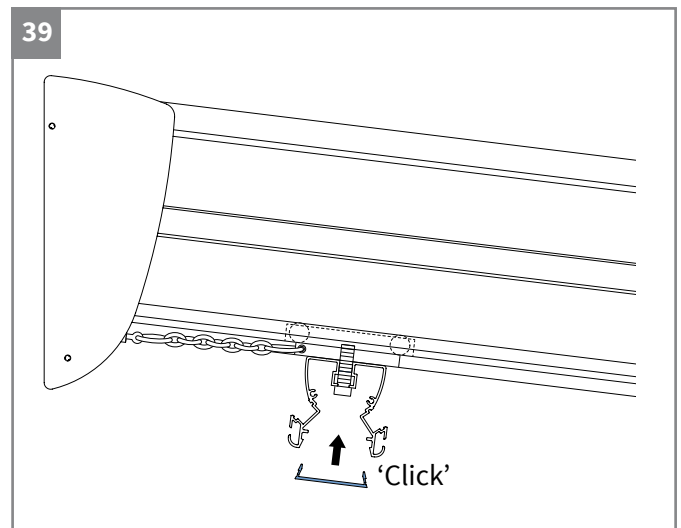
13. Placing the fabric with ribs



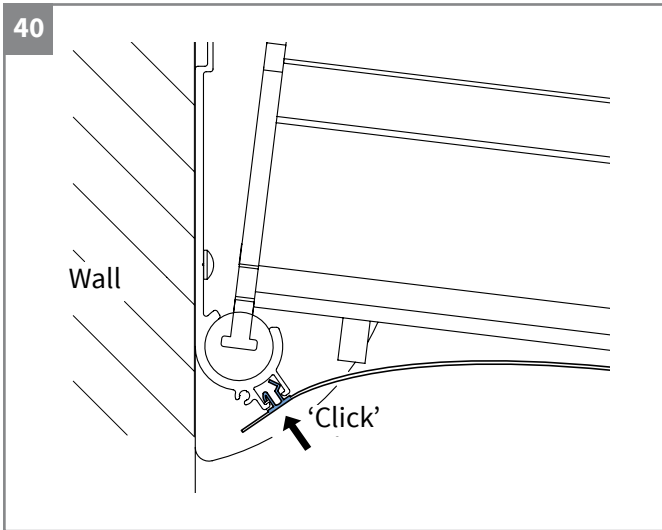
- Unroll the fabric with the ribs. Fabric side above.
- Remove the cover plates from the ribs.
- Position the first rib, which is located on the wall side, on the lower side to the beams.
- Hook, by using the included chain, the carriage to the eye.



- Install the first rib. Position the carriage above the rib and install the rib with the hexagon bolt in the hole of the carriage.
- Install the second rib the same way and work forward.

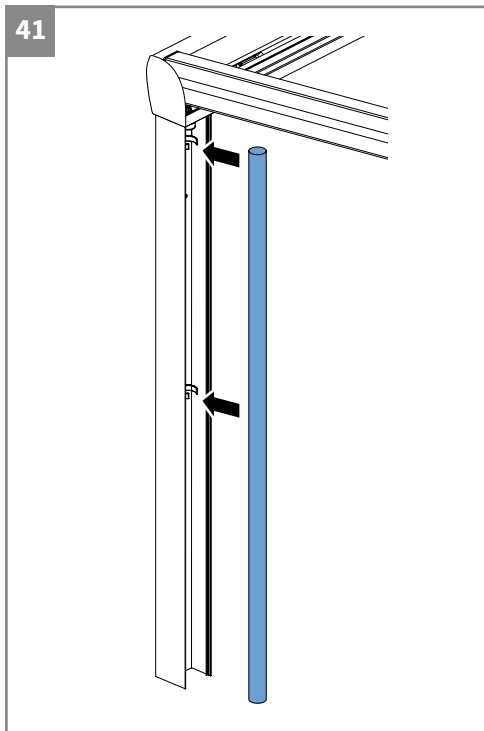


- Click all the cover plates back into the ribs.



- Click the piping at the end of the fabric in the lower side of the wall profile.

14. Placing the drainage



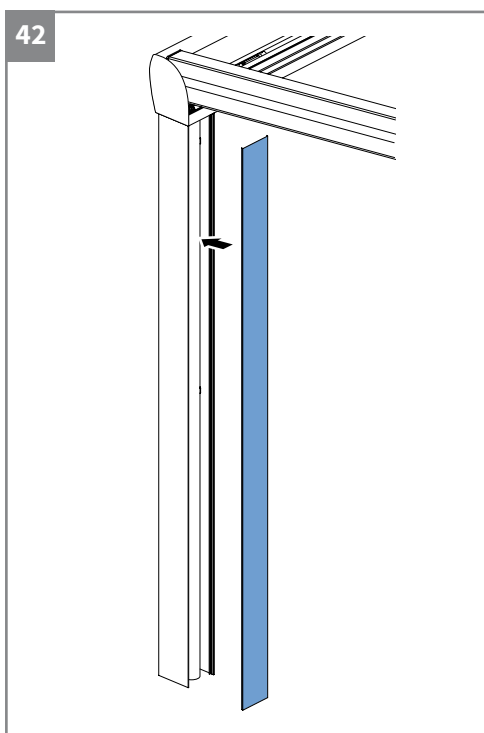
For each pipe, two clamp supports \varnothing 50 are needed.

- Drill \varnothing 3 mm holes in the middle of the upright and screw the clamps to the back side of the upright.

Attention!

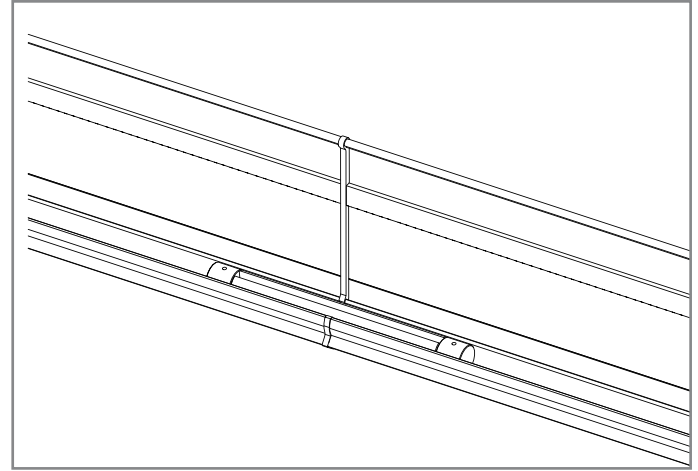
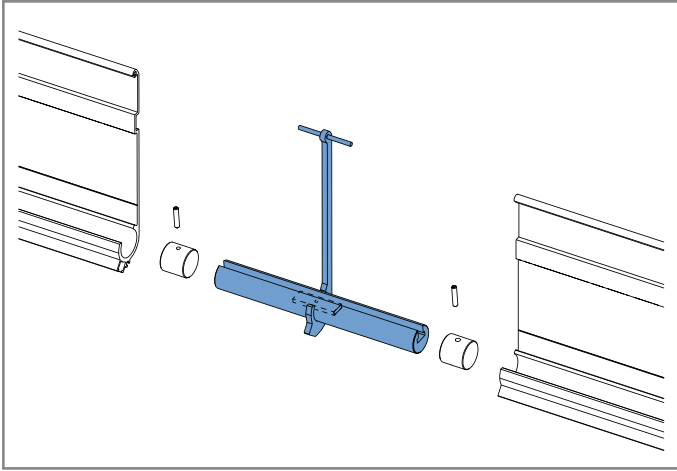
If the veranda is placed between two walls and the overflows can not function anymore, the drainage needs to be adjusted with an extra drainage. This way water overflow can be prevented.

15. Upright finish

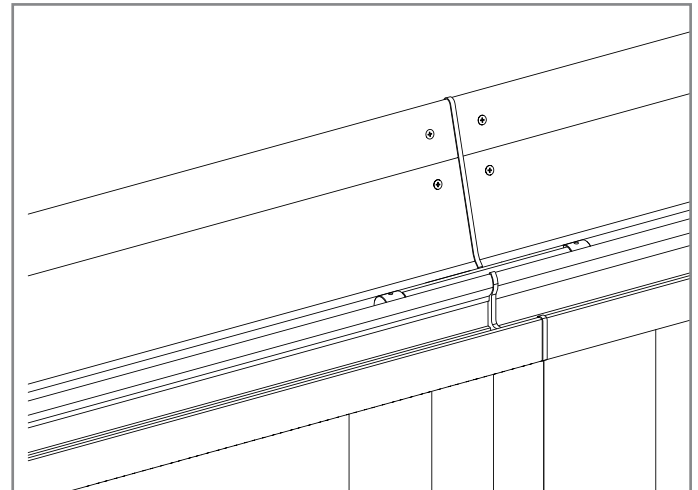
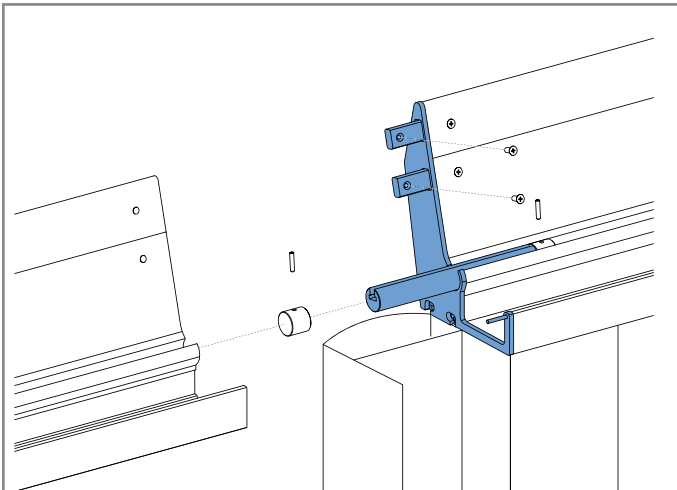
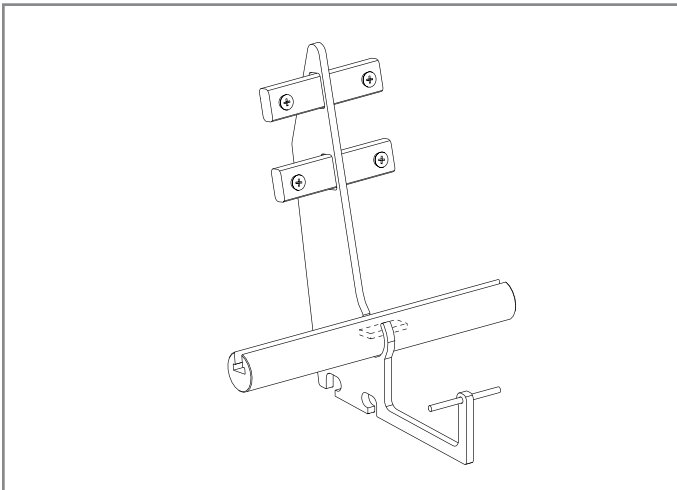


- Click the cover plate on both uprights.

16. Connecting

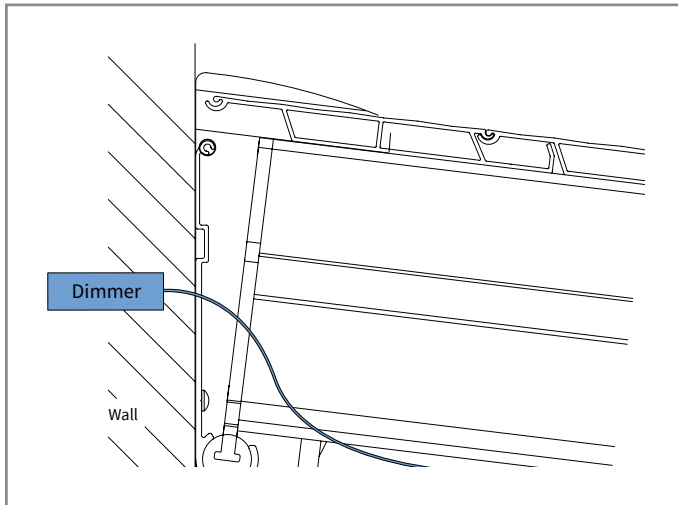


- Slide the connectors into the wall profile and secure.

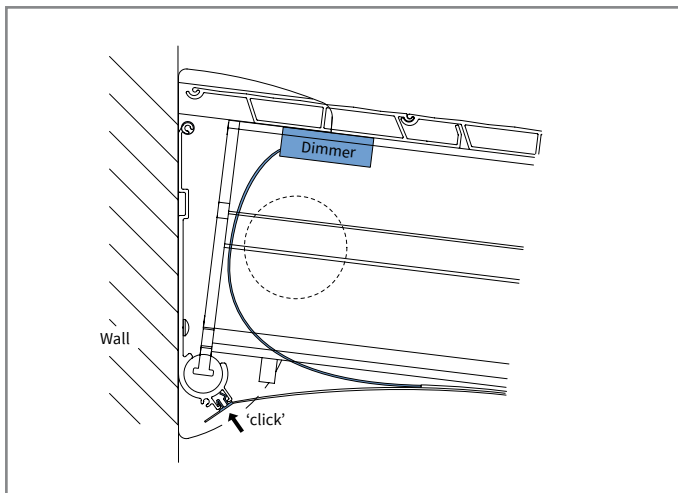


- Slide the connectors into the gutter profile and secure.

17. Connecting lighting



- Preferably run the wire through the wall before placing the dimmer.



- As an option, the dimmer can be installed under the first roof can be mounted under the first roof plate.

Attention!

Placement near the closed rooms in connection with drainage.

Make sure that the cable does not lie on the pipe in order to prevent wear and tear.