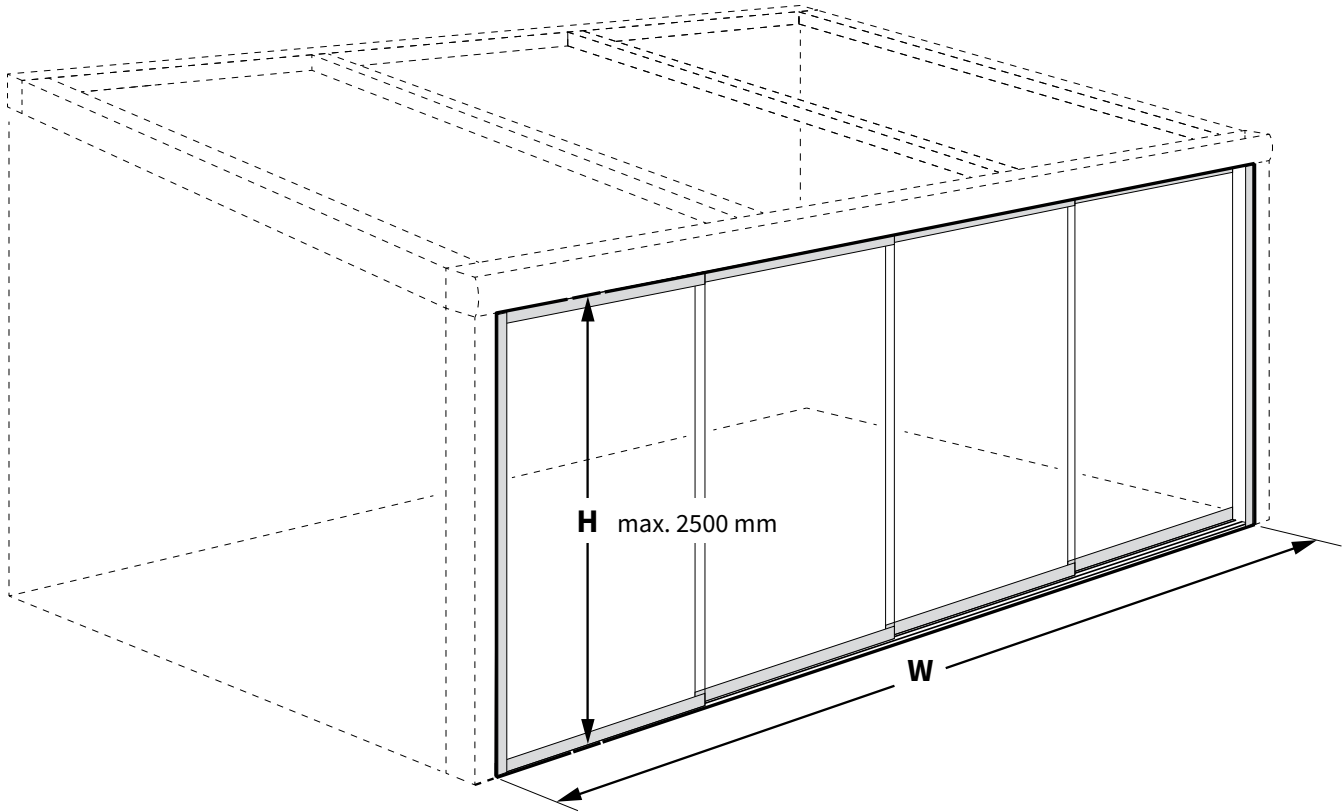


## A good preparation!

Before ordering a sliding glass wall, you should measure the width and height of the opening. It is important that you enter all measurements in mm!



### 1. Order width (W)

Distance measured between the inside of the uprights of your veranda.

W =		mm
-----	--	----

### 2. Order height (H)

Distance measured from the ground up to the lower side of the gutter profile. Measure in 3 places and take the smallest height measurement.

H =		mm
-----	--	----

**Note!** When a veranda is installed with a slope, both the lowest and the highest measured height dimension (H) must fall within the values in the table on page 2.

### 3. Closure (always seen from outside!)

- Glass package left
- Glass package right middle
- Centre closure

**V766 - Bassa has a fixed glass width of 980 mm and 10 standard glass heights.**

Height step	Glass height in [mm]	Measured height (H)* in [mm]
1	1905	2000 t/m 2049
2	1955	2050 t/m 2099
3	2005	2100 t/m 2149
4	2055	2150 t/m 2199
5	2105	2200 t/m 2249
6	2155	2250 t/m 2299
7	2205	2300 t/m 2349
8	2255	2350 t/m 2399
9	2305	2400 t/m 2449
10	2355	2450 t/m 2500

\* When a veranda is installed with a slope, both the lowest and the highest measured height dimension (H) must fall within the values in the table.

### Minimum and maximum dimensions (in mm)

Type of rails / number of panels	Glass package	Minimum width	Maximum width	Maximum height system
3 tracks / 2 panels	left or right	1037	1928	2500
3 tracks / 3 panels	left or right	1983	2928	2500
4 tracks / 4 panels	left or right	2929	3874	2500
5 tracks / 5 panels	left or right	3875	4820	2500
6 tracks / 6 panels	left or right	4821	5750	2500
3 tracks / 4 panels	centre closure	2074	3924	2500
3 tracks / 6 panels	centre closure	3925	5816	2500
4 tracks / 8 panels	centre closure	5817	6000	2500

### Dimensions rails (in mm)

