

General warning

When you measure the Verano® product yourself, that is for your own risk. You are responsible for measuring the right sizes. Use this instruction only as a guide. Use it only for measuring this specific Verano® product. Not sure about your measuring process and don't want to risk a wrongly-ordered product? Use the measuring service provided by Verano®. Please note there is a charge for this.

Tips before measuring

Check the floor/assembly surface

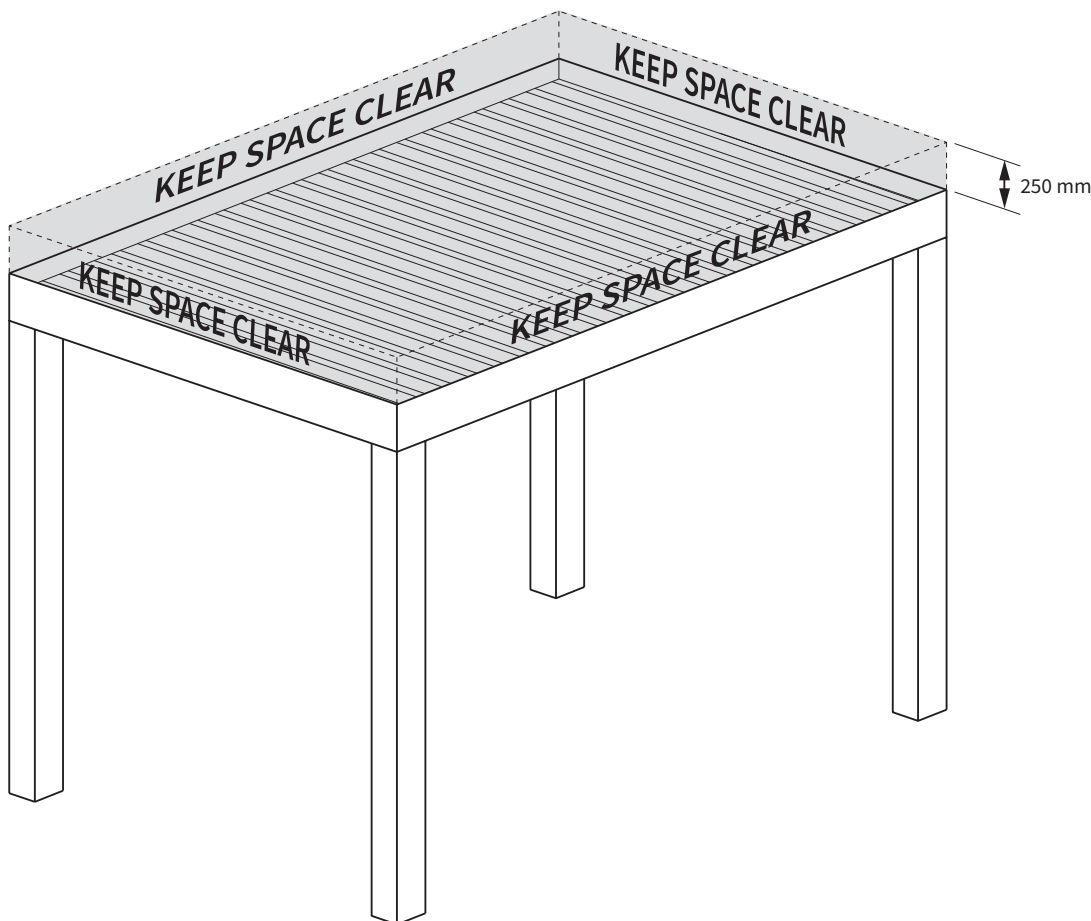
The Arezzo louvered roof must be installed on a surface that meets certain requirements:

- The louvered roof may only be installed on a substrate with a firm compression.
- Make sure that there are no protruding parts or other obstacles in the way!



Attention! Keep space free for maintenance

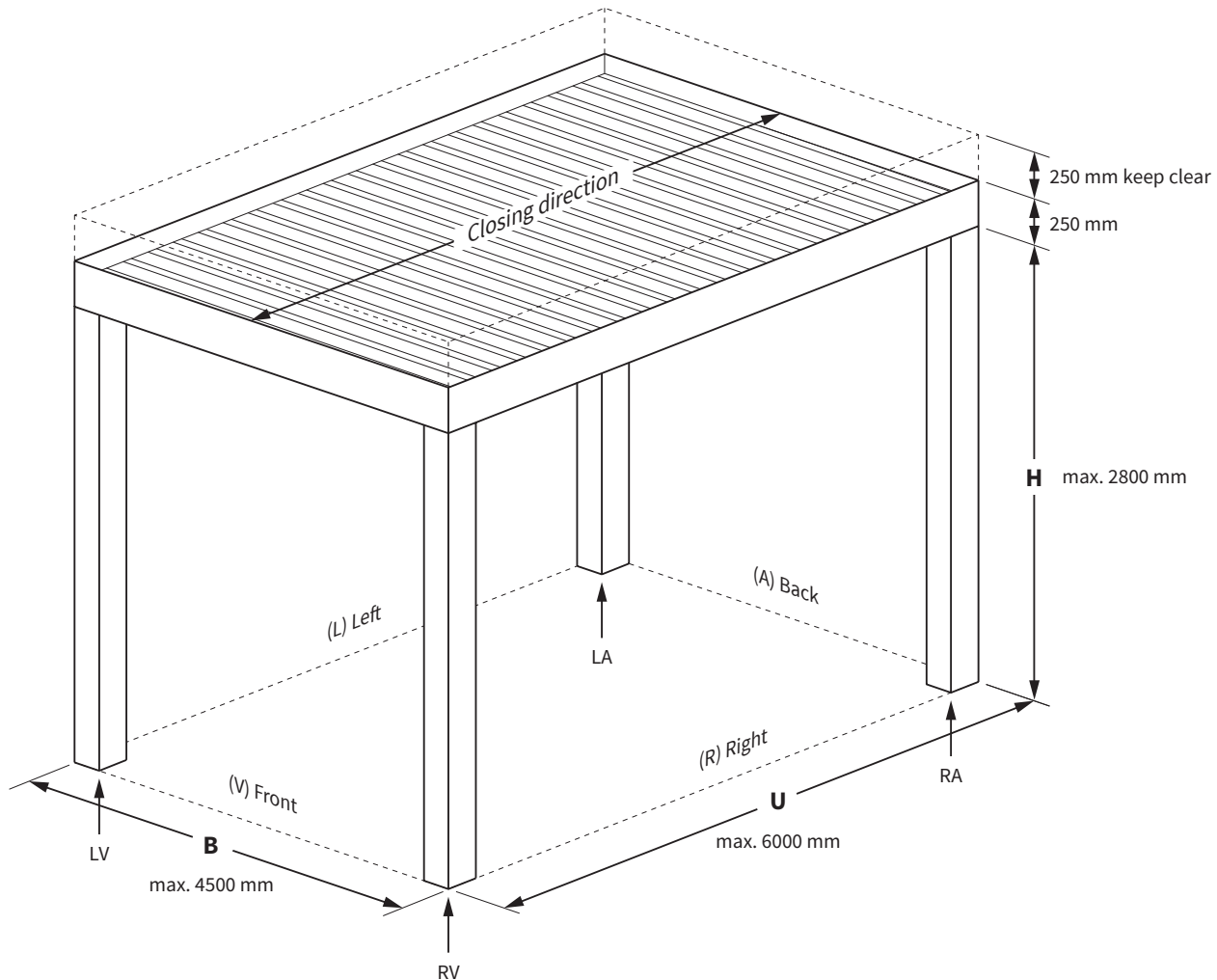
When measuring the louvered roof, keep a space of 250 mm at the top clear for cleaning and any future service and/or maintenance work.



Size

Due to the direction of rotation of the slats and various options, we use the terms “front”, “back”, “left” and “right”. Please take these into account when measuring.

- B = Width: Max. 4500 mm.
- U = Projection: Max 6000 mm. The slats are mounted along this side.
- H = Height: Max 2800 mm. This is the standard height of the post.
Extended posts higher than 2800 [mm] to 5650 [mm] are available at extra cost.
The total height of the louvered roof is the height of the post plus 250 mm of the slat structure in the closed position.
When open, the slats protrude partially above the structure.
- Clear space: Clearance for maintenance and any service and/or maintenance operations.
- Closing direction: The direction in which the slats tilt to close the roof.
- LV, RV, LA and RA= Post mark (LV - Left Front, RV - Right Front, LA - Left Back and RA - Right Back).
This designation is used to indicate where the drainage should be placed.



Post length

The additional length of the post for ground assembly must be added to the height of the post. You can specify the height of each side-panel when ordering. As standard, Verano® uses a maximum post height of 2800 mm. A larger height is possible but involves an additional charge. See the Verano® price list.

Mounting base

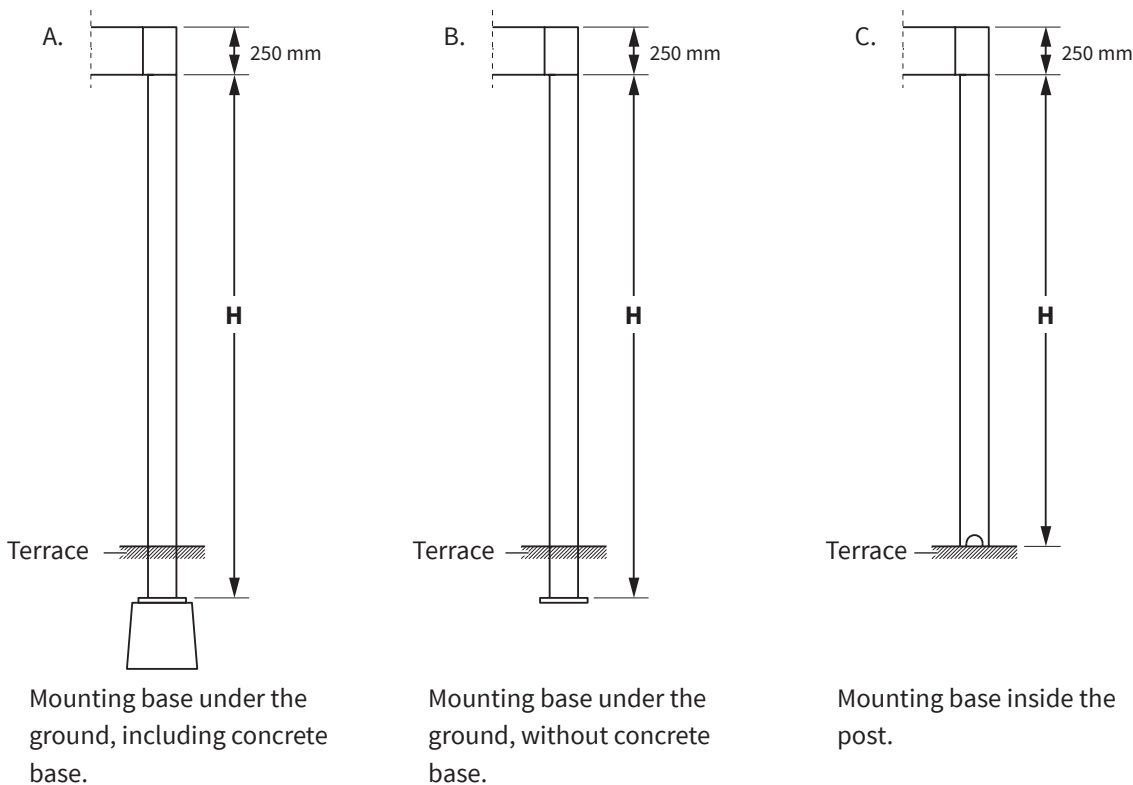
For extra stability, Verano® advises to install the louvered roof in the ground by using a concrete footing. This also makes it possible to compensate for height differences in the ground, for example with a terrace that slopes downwards. This foundation can be dug into the ground and the post can be placed on top. The concrete footings are fitted with threaded rods and customised nuts for the base plate that is supplied with the posts.

Verano® has 3 different mounting base for fixing the posts in or on the ground:

- A. Mounting base below ground, including concrete footing
- B. Mounting base under ground, without concrete base
- C. Mounting base inside the post

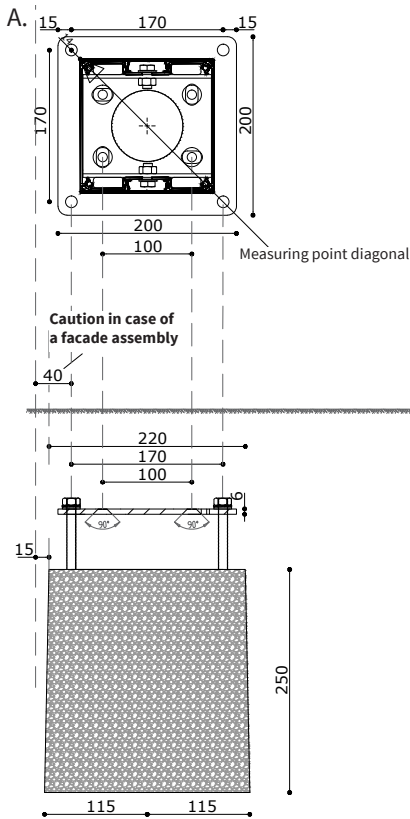
H = Total height of posts

You can specify the mounting base for each posts when ordering your product.

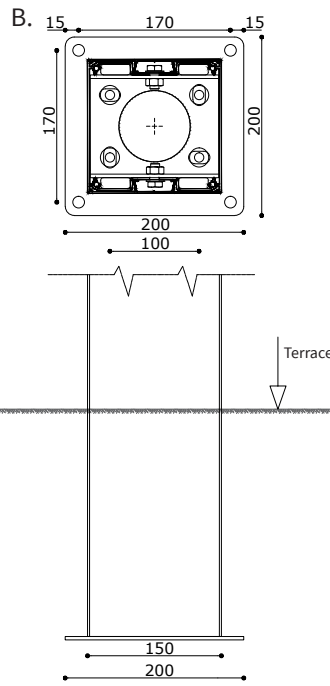


Dimensional drawings of mounting base

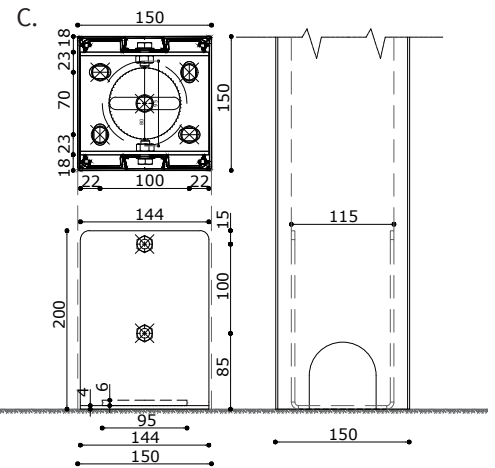
Mounting base under the ground, including concrete base.



Mounting base under the ground, without concrete base.



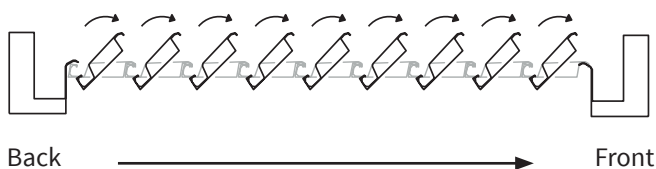
Mounting base inside the post.



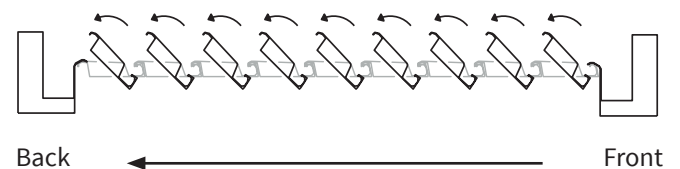
Direction of slat closing

To determine the incidence of light, you can choose which way the slats should tilt. Take into account the position of the sun and consider whether you want direct light incidence when the slats are opened. The slats can be configured to tilt from back to front or from front to back.

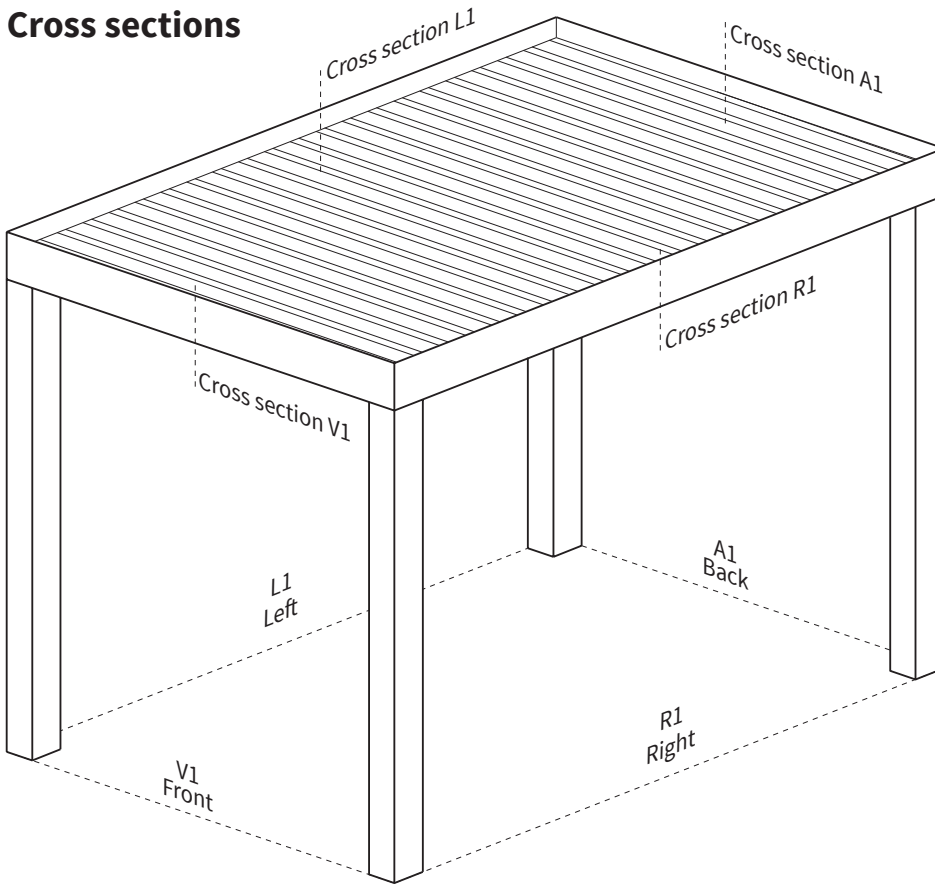
Closing direction from back to front



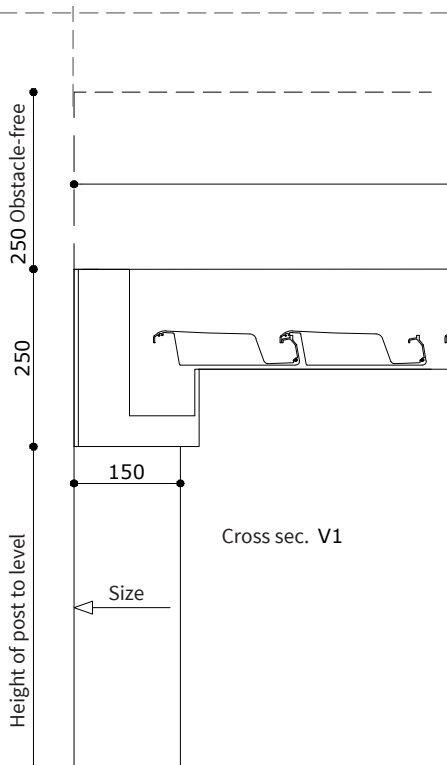
Closing direction from front to back



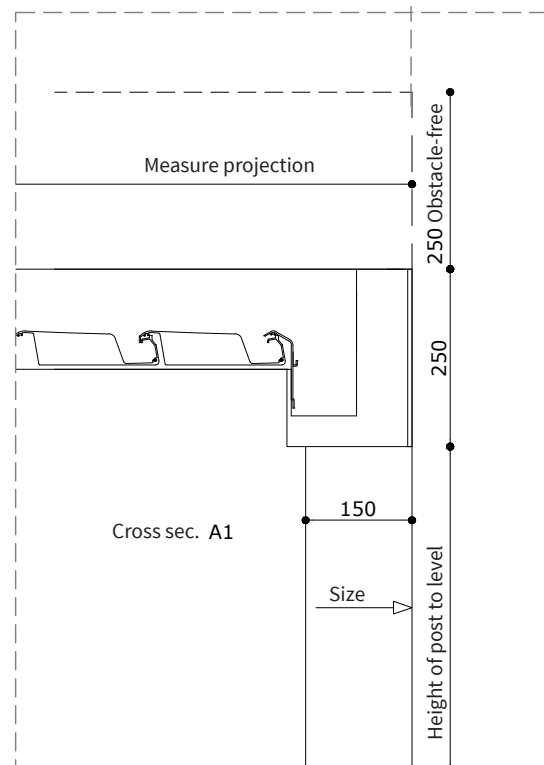
Cross sections



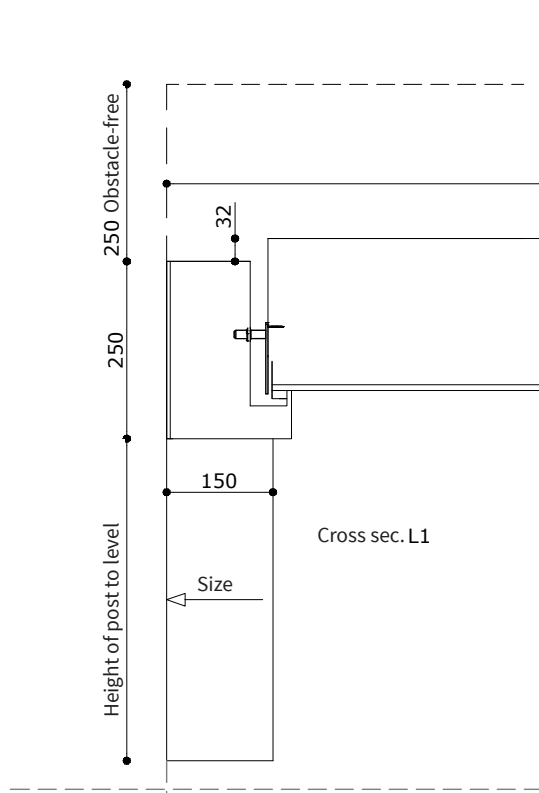
Cross section V1



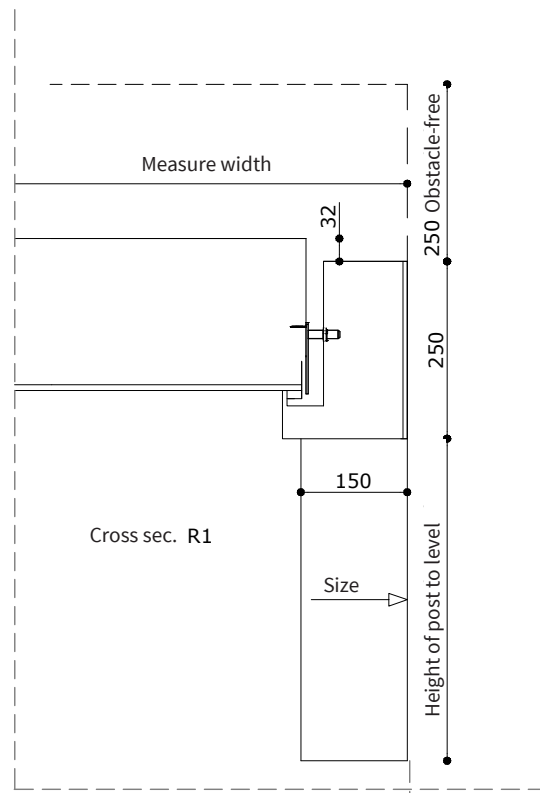
Cross section A1



Cross section L1



Cross section R1



Additional points of interest

Opening doors and windows

Keep a minimum of 10 cm between the window frame and the bottom of the gutter.

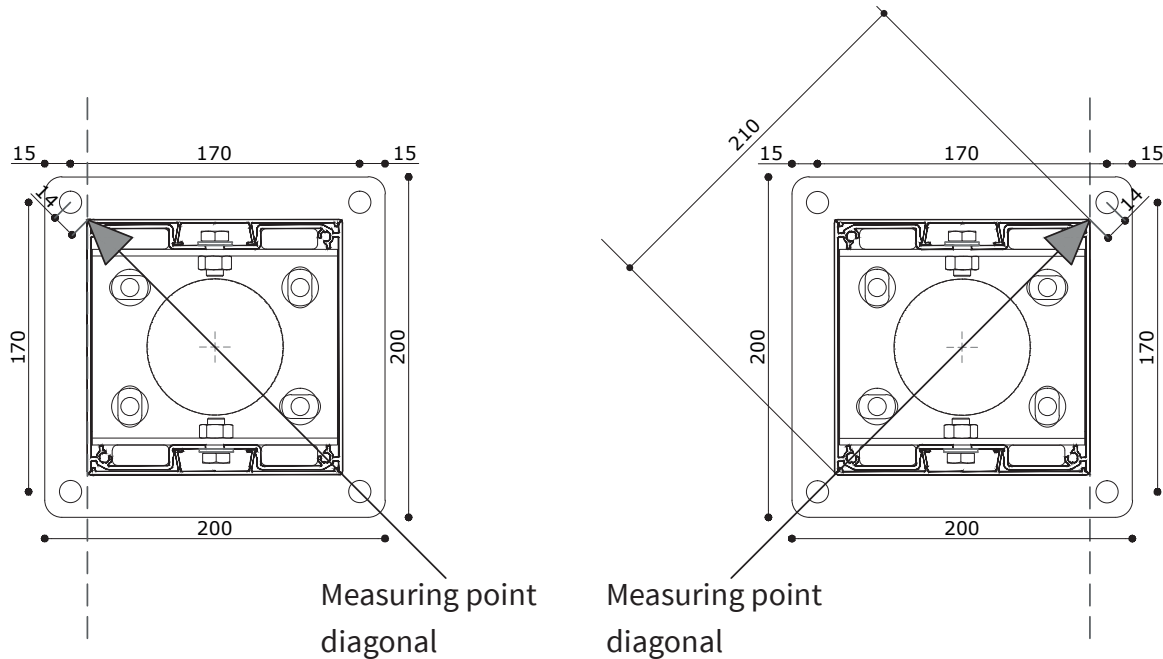
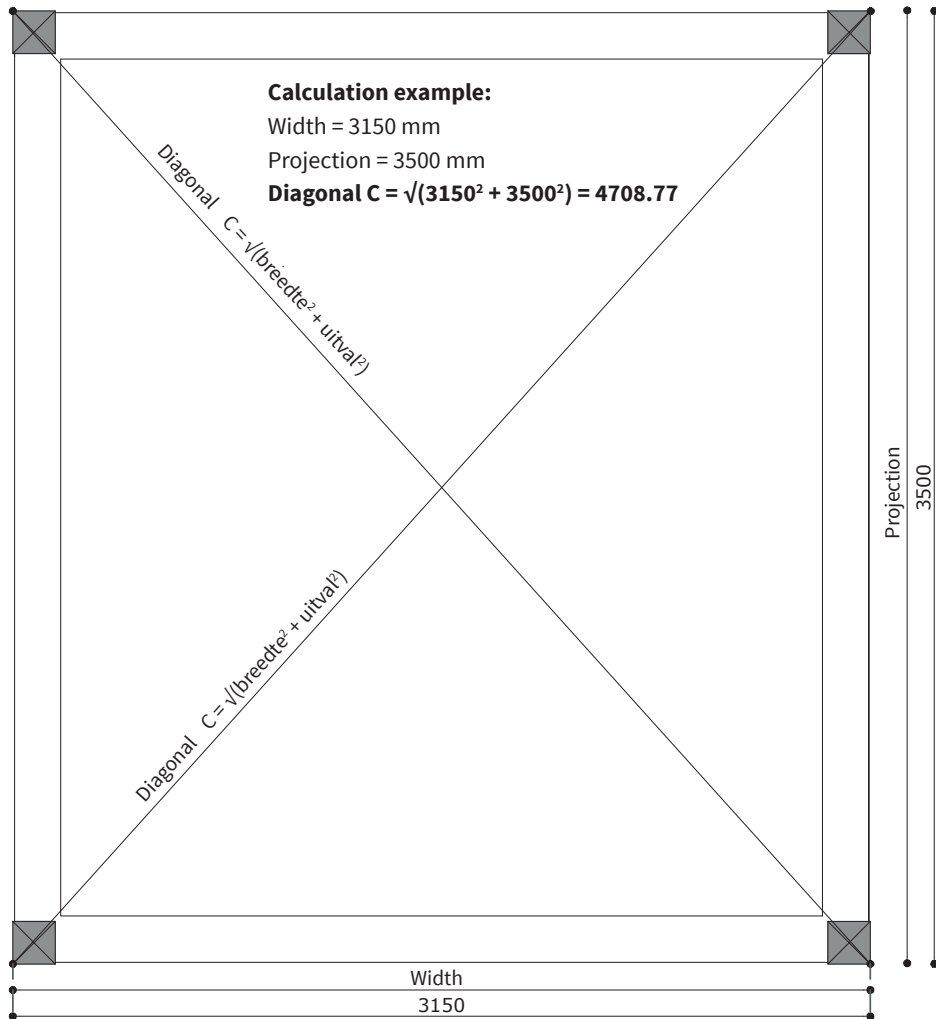
Concrete base

For an additional charge you can order ready-made concrete bases. You can bury these foundations after which the posts can be placed on them. The concrete bases are equipped with threaded studs and nuts for the base plate that is delivered with the posts.

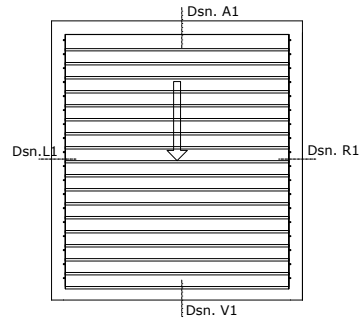
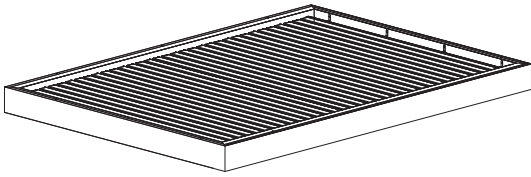
Lighting

You can order a lighting set at extra cost. This set consists of LED strips that are mounted all around under the louvered roof. Please note! It is not possible to retrofit the LED lighting.

Check size



CONSTRUCTION TYPE 6 - INTEGRATION



Caution!

Installation only by an authorized Verano® partner.

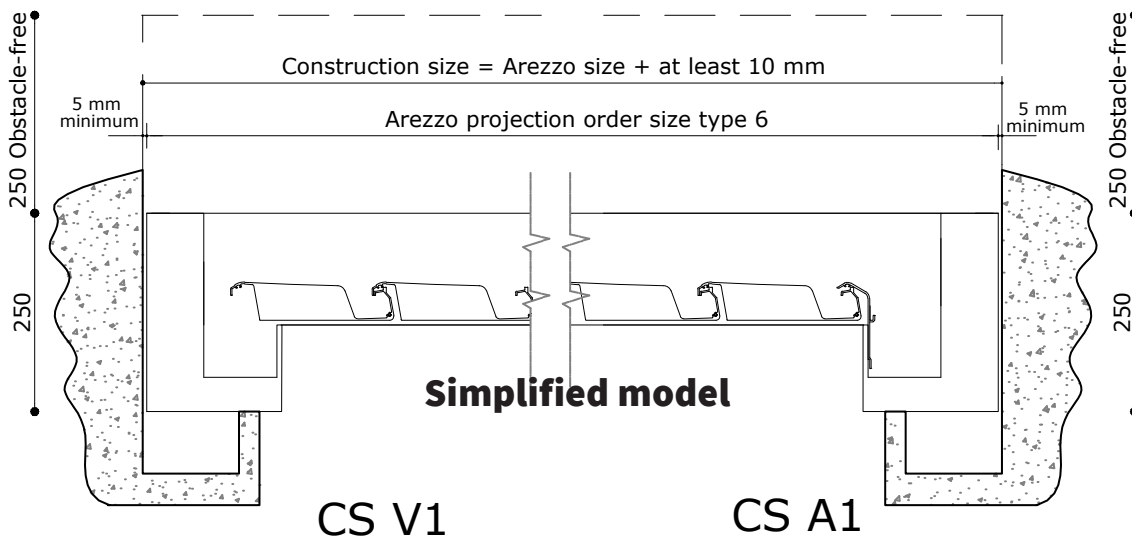
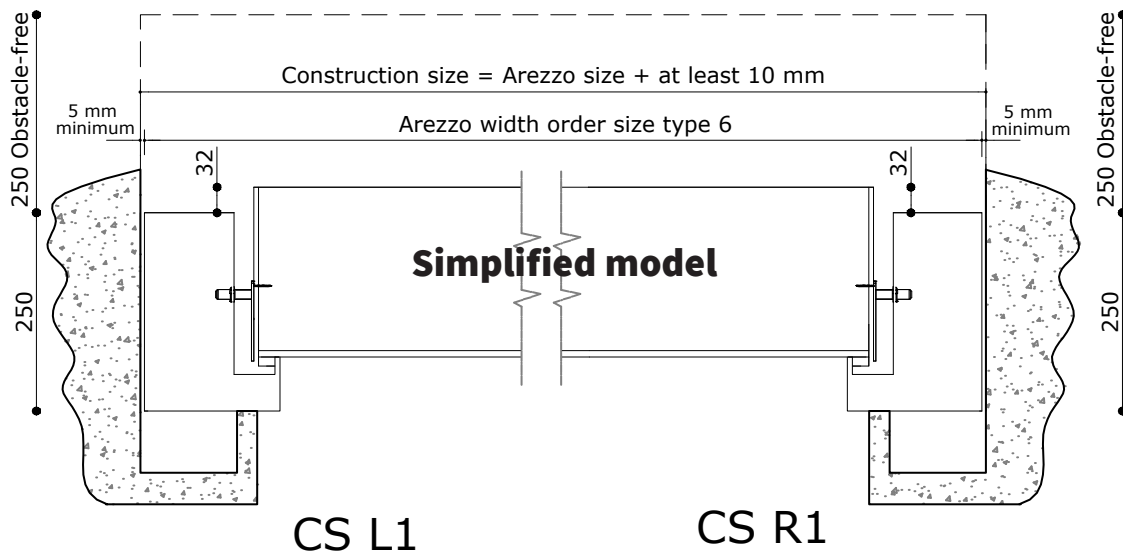
Verano® supervision is required for construction type 6. Verano® always provides a technical drawing based on the situation of the partner. Work preparation costs are charged.

The drawing only shows the construction of the Arezzo in the situation. Verano® is not responsible for the construction of the roof.

Please take into account an extra delivery time of 1 week on top of the standard delivery time.

Please check the technical manual for more detailed drawings.

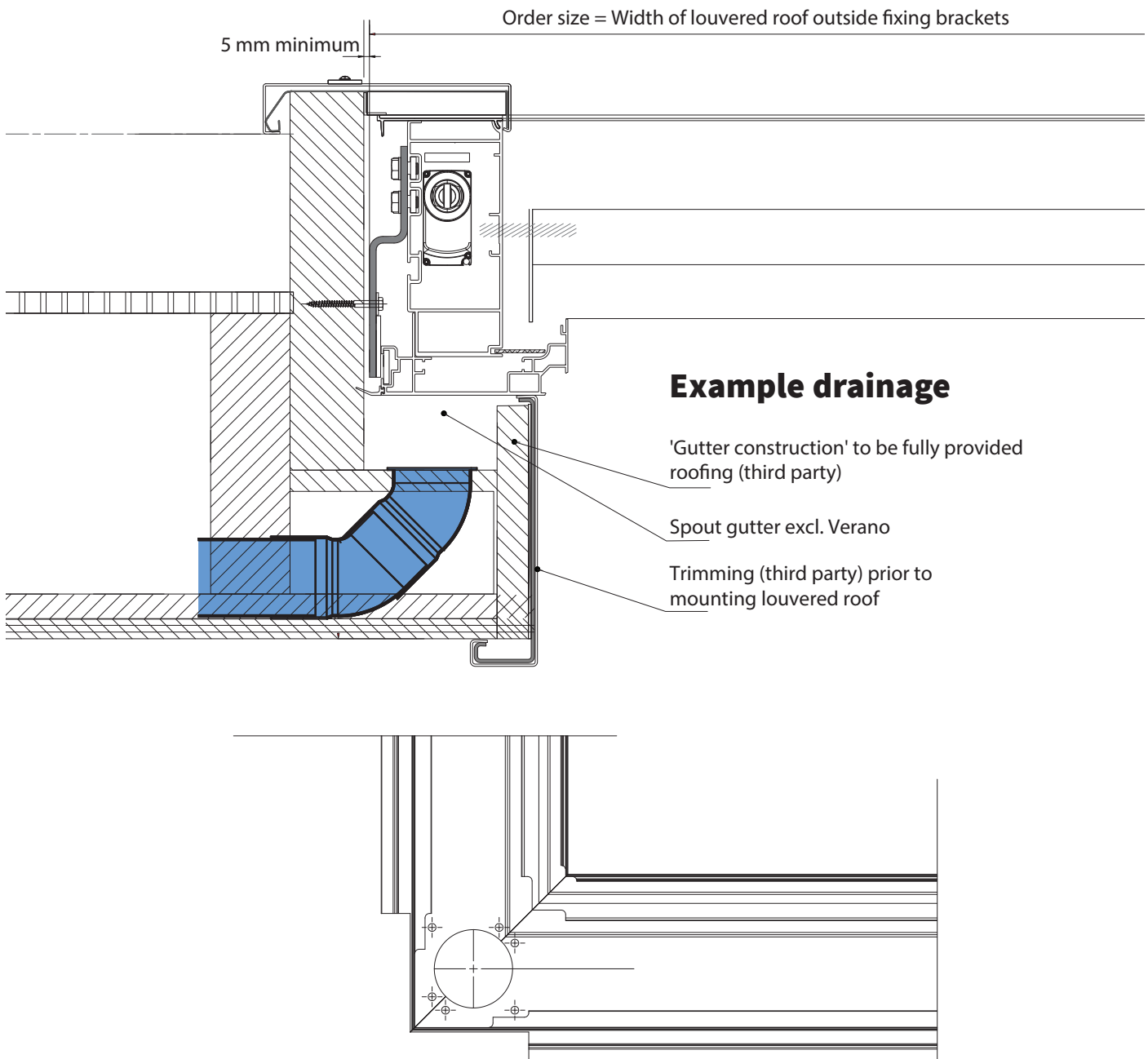
**Important! The construction size of the opening is not the order size of your Arezzo.
Order size is the product size.**



Drainage

Notice! Drainage is not prepared by Verano® for type 6. Verano® does not provide construction drawings for drainage. The system of the Arezzo has an integrated gutter all around. You have to make the drainage yourself. This can be done by means of a drainage pipe (ø 70 [mm]) in a corner of your choice (LV, RV, LA and RA). You must provide at least two drains in a slat roof larger than 16 [m2]. For slat roofs smaller than 16 [m2], at least one drain must be provided.

See the technical manual for more detailed drawings. (V870 - Arezzo - 015.dwg / V870 - Arezzo - 016.dwg / V870 - Arezzo - 017.dwg / V870 - Arezzo - 018.dwg)



Motor connection

Notice! The motor cable is supplied separately in the gutter. You must drill the hole for cable entry yourself.