

General warning

When you measure the Verano® product yourself, that is for your own risk. You are responsible for measuring the right sizes. Use this instruction only as a guide. Use it only for measuring this specific Verano® product. Not sure about your measuring process and don't want to risk a wrongly-ordered product? Use the measuring service provided by your Verano® partner.

Tips before measuring

Check the floor/assembly surface

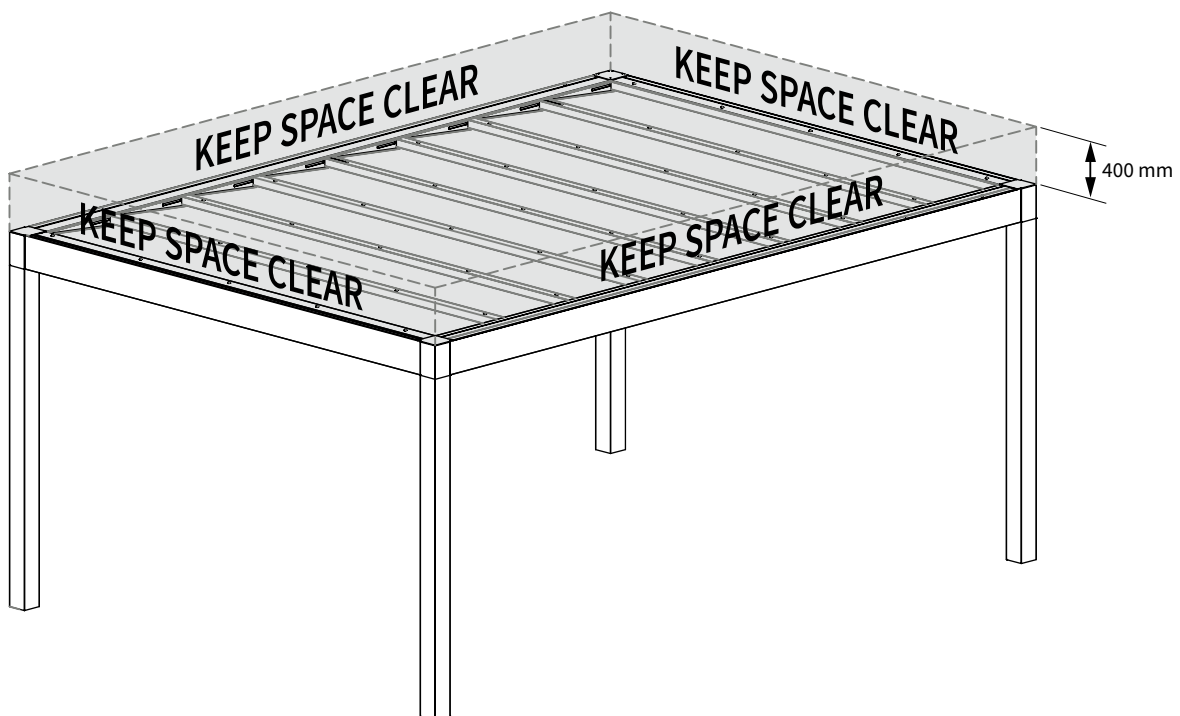
The Belluno straight roof must be installed on a surface that meets certain requirements:

- The straight roof may only be installed on a substrate with a firm compression.
- Make sure that there are no protruding parts or other obstacles in the way!



Attention! Keep space free for maintenance

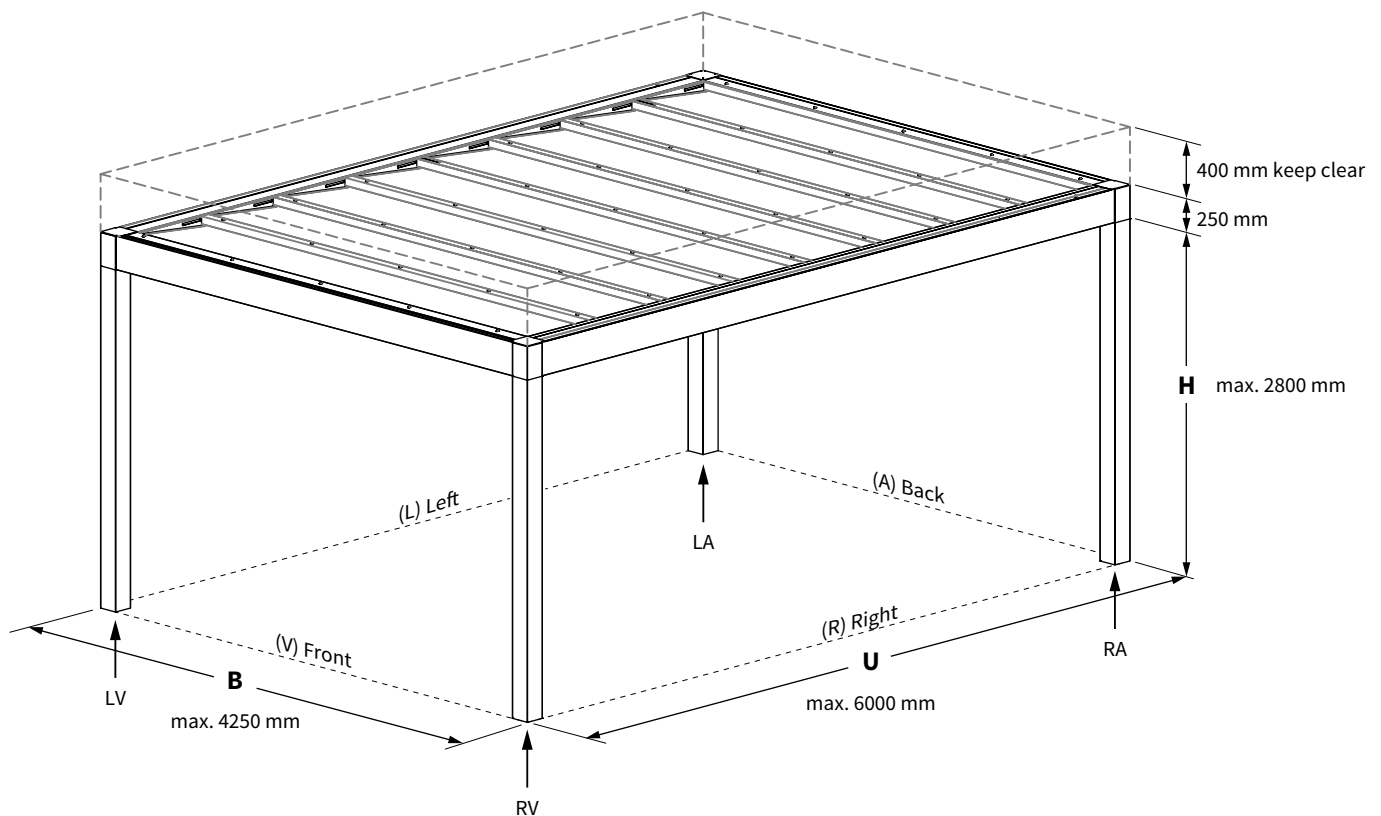
When measuring the straight roof, keep a space of 250 mm at the top clear for cleaning and any future service and/or maintenance work.



Size

Due to the inclined glass and various options, we use the terms “front”, “back”, “left” and “right”. Please take these into account when measuring.

- B = Width: Max. 4250 mm.
- U = Projection: Max 6000 mm. Along this side, the glass strips are mounted.
- H = Height: Max 2800 mm. This is the height of the post. The total height of the straight roof is the height of the post plus 250 mm of the glass construction.
- Clear space: Clearance for maintenance and any service and/or maintenance operations.
- LV, RV, LA and RA= Post mark (LV - Left Front, RV - Right Front, LA - Left Back and RA - Right Back). This designation is used to indicate where the drainage should be placed.



Attention:

The direction of the glass/closing direction of the fabric can be determined on installation.

Post length

The additional length of the post for ground assembly must be added to the height of the post. You can specify the height of each side-panel when ordering. As standard, Verano® uses a maximum post height of 2800 mm. A larger height is possible but involves an additional charge. See the Verano® price list.

Mounting base

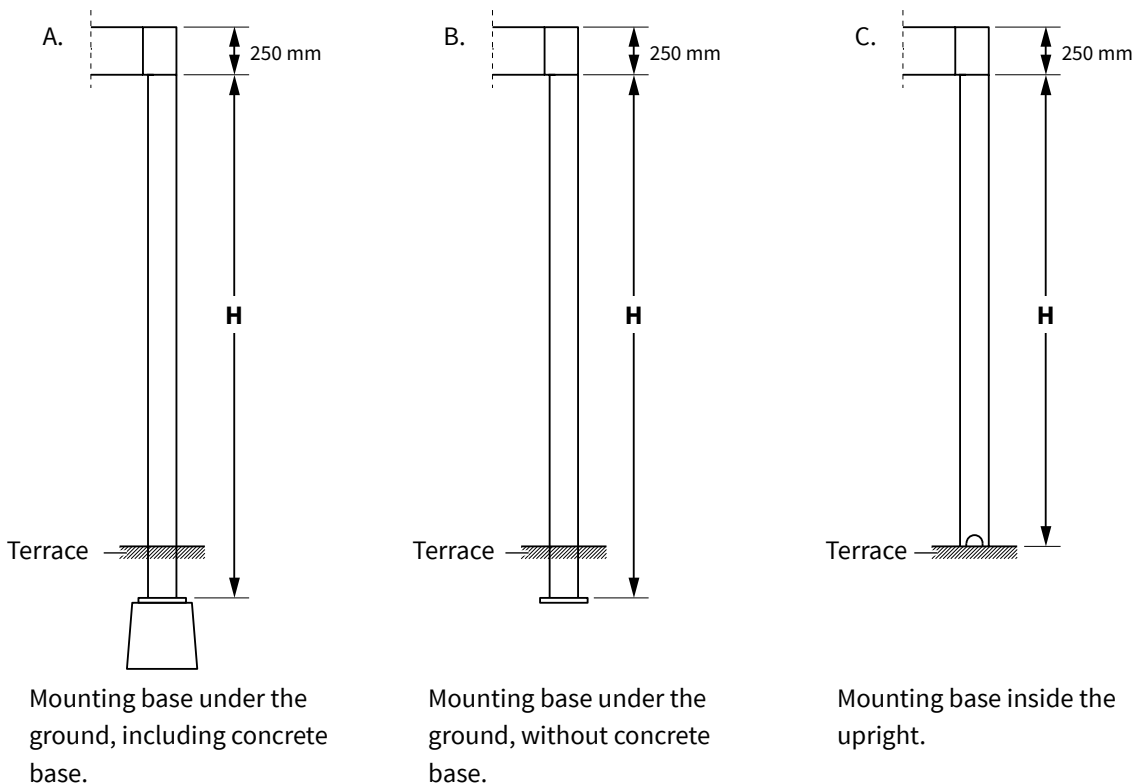
For extra stability, Verano® advises to install the straight roof in the ground by using a concrete footing. This also makes it possible to compensate for height differences in the ground, for example with a terrace that slopes downwards. This foundation can be dug into the ground and the post can be placed on top. The concrete footings are fitted with threaded rods and customised nuts for the base plate that is supplied with the posts.

Verano® has 3 different mounting base for fixing the posts in or on the ground:

- A. Mounting base below ground, including concrete footing
- B. Mounting base under ground, without concrete base
- C. Mounting base inside the upright

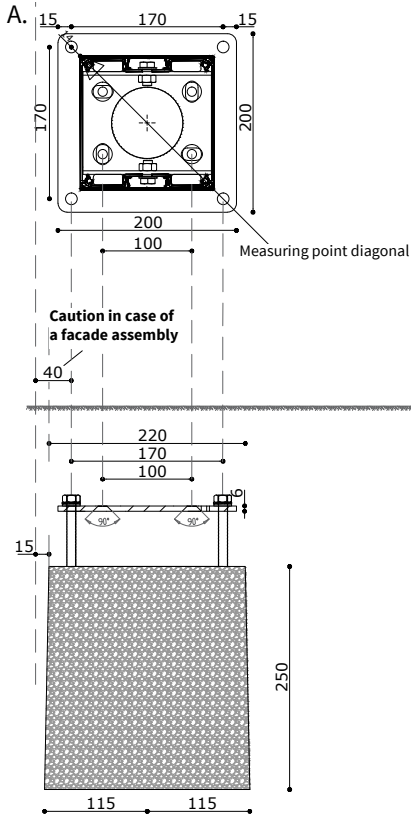
H = Total height of posts

You can specify the mounting base for each posts when ordering your product.

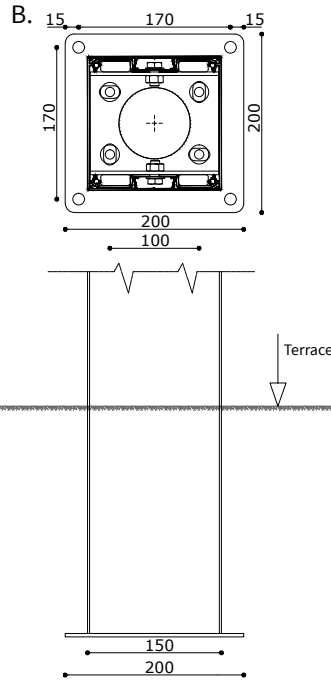


Dimensional drawings of mounting base

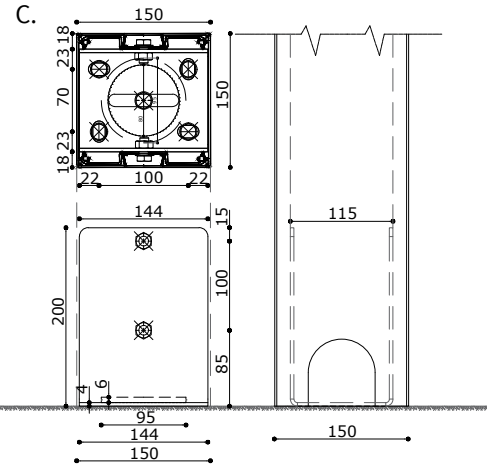
Mounting base under the ground, including concrete base.



Mounting base under the ground, without concrete base.

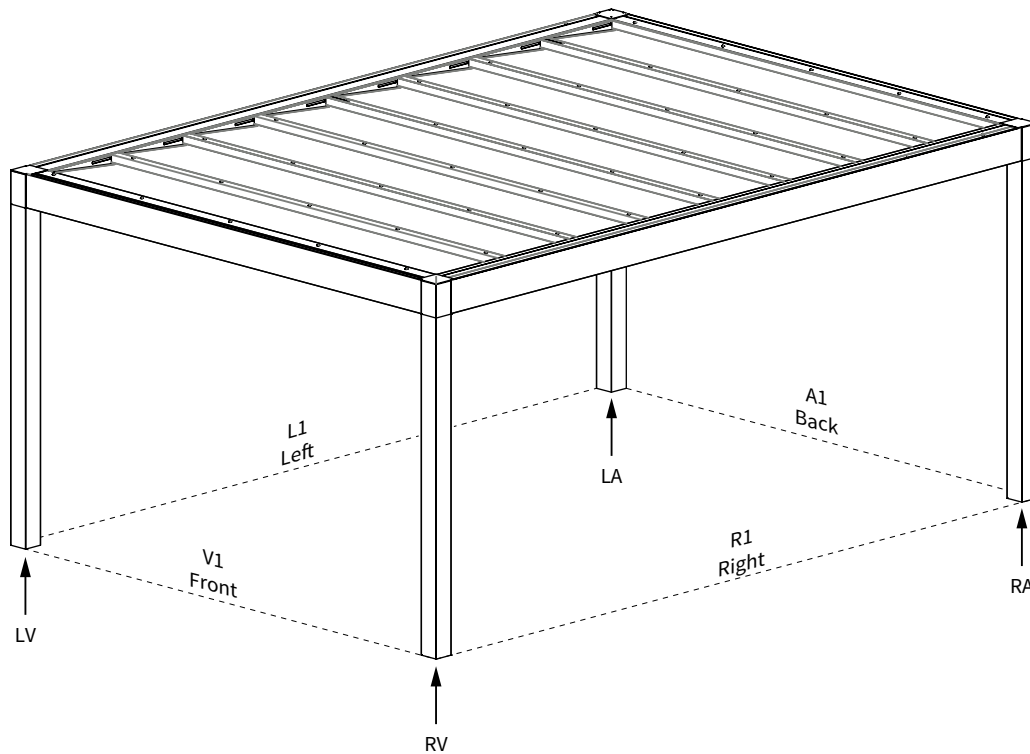


Mounting base inside the upright.

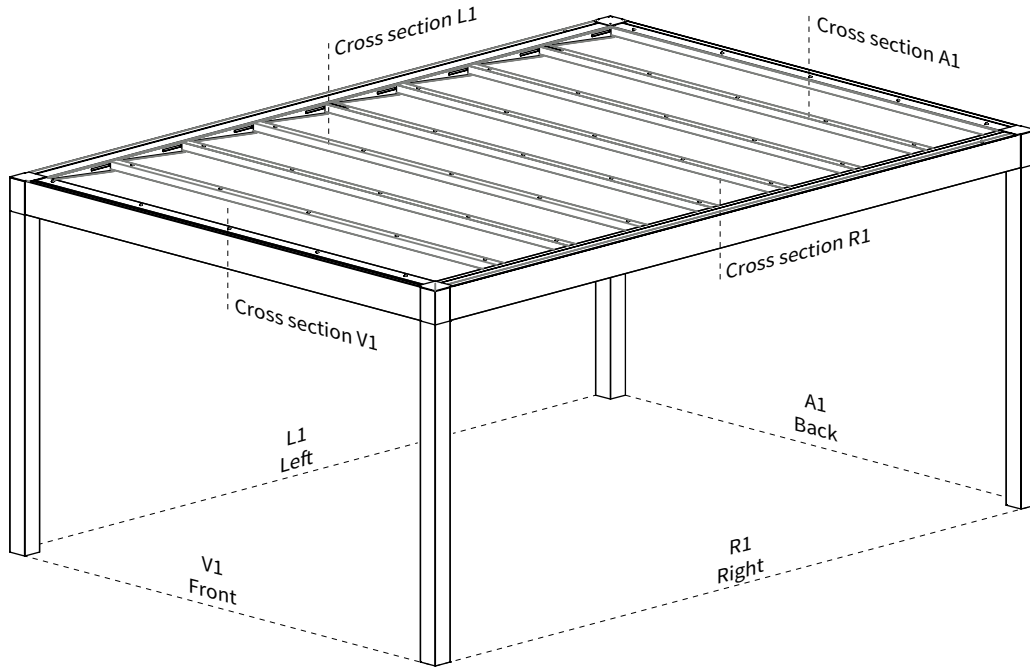


Drainage

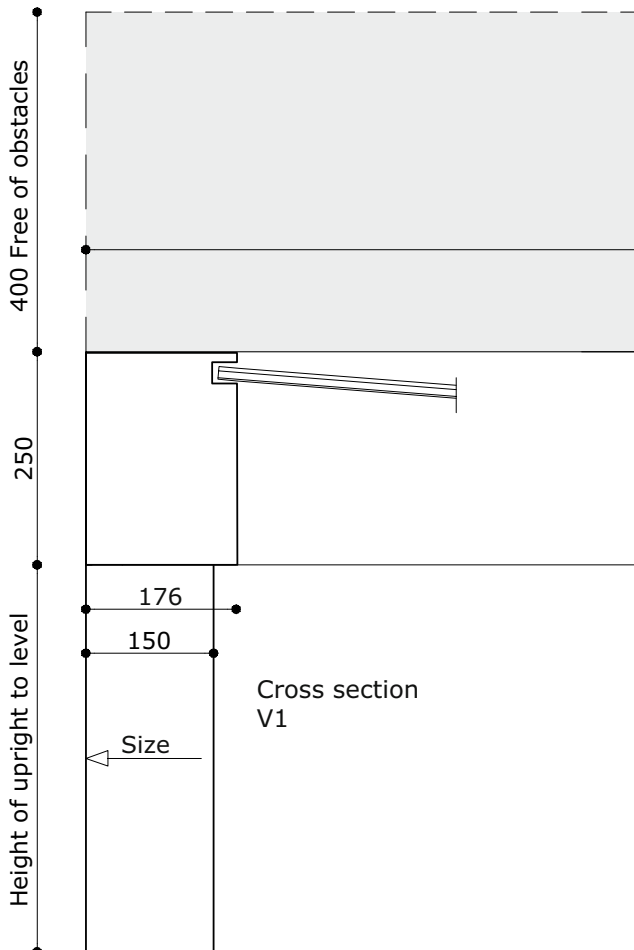
The Belluno system has an integrated gutter all around and the drainage runs via a drainpipe $\varnothing 70$ [mm] in a post of your choice (LV, RV, LA and RA). You need to provide at least two drains for a louvered roof larger than 16 [m²]. For straight roofs smaller than 16 [m²], at least one drain must be provided.



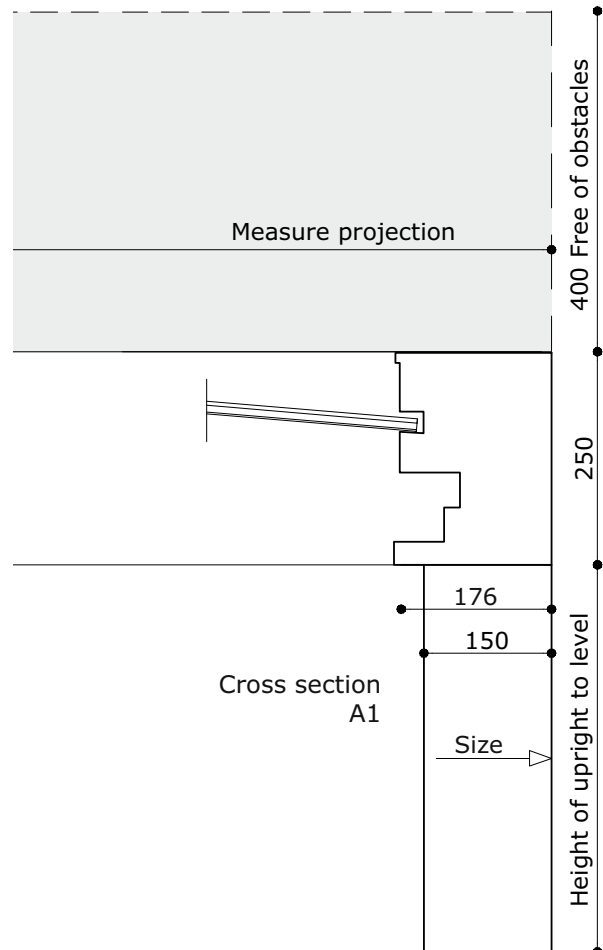
Cross sections



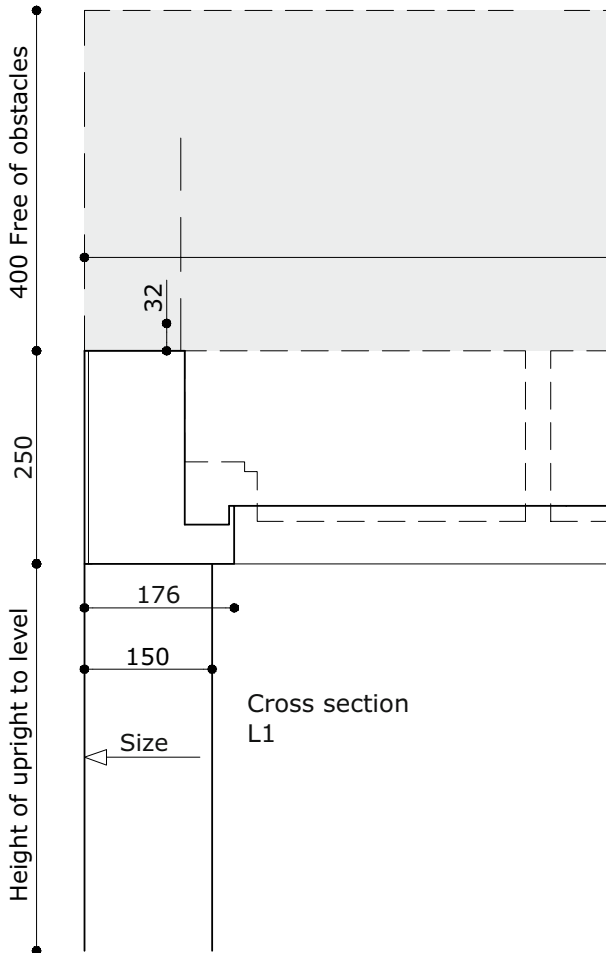
Cross section V1



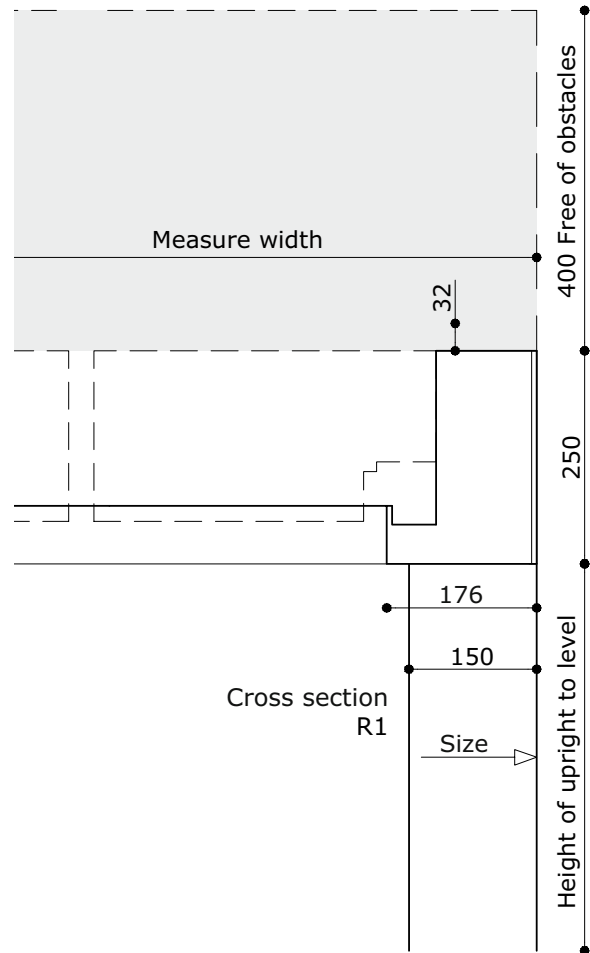
Cross section A1



Cross section L1



Cross section R1



Additional points of interest

Opening doors and windows

Keep a minimum of 30 cm between the window frame and the bottom of the slat.

Concrete base

For an additional charge you can order ready-made concrete bases. You can bury these foundations after which the posts can be placed on them. The concrete bases are equipped with threaded studs and nuts for the base plate that is delivered with the uprights.

Lighting

You can order a lighting set at extra cost. This set consists of LED strips that are mounted all around under the louvered roof. Please note! It is not possible to retrofit the LED lighting.

Check size

