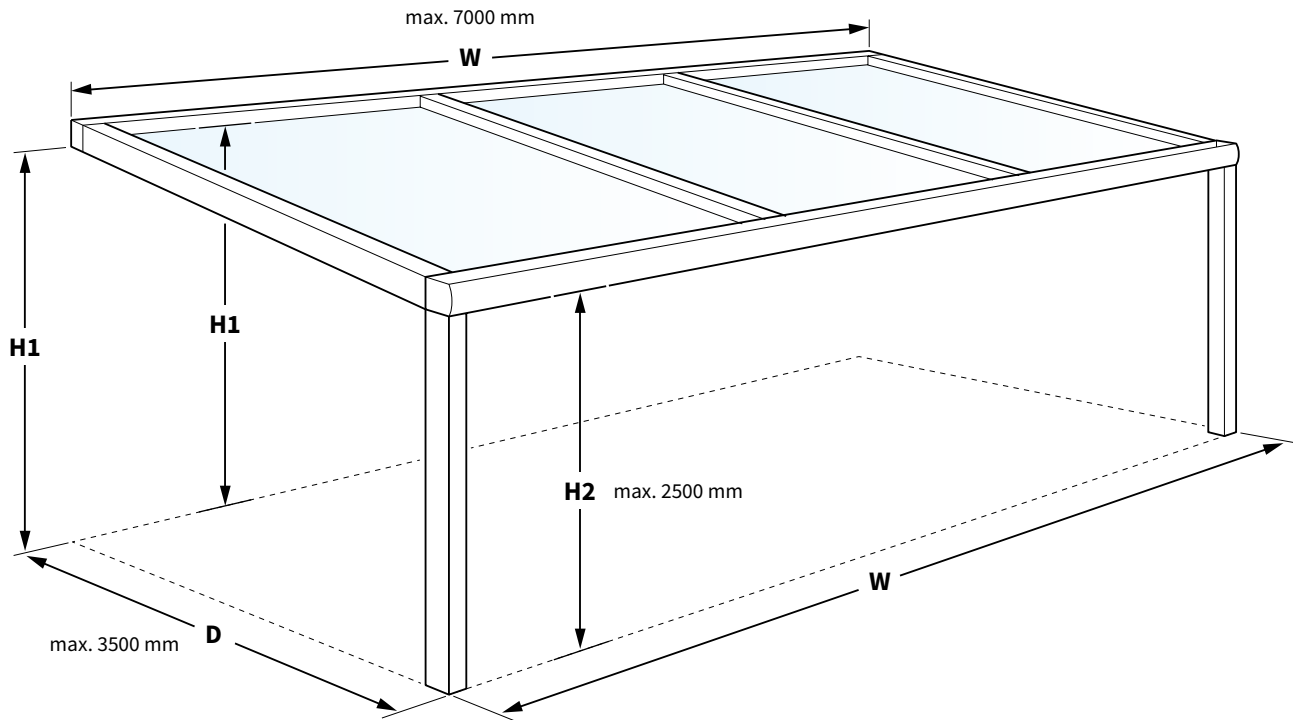


A good preparation!

Before ordering a veranda, you should measure a range of sizes. It is important that you enter all sizes in millimeters!



1. Determine the desired width (W)

The entered size is the total length of the gutter profile and the wall profile.

W =		mm
-----	--	----

2. Determine the height on the wall side (H1)

Distance measured from the ground up to the lower side of the wall profile. (Height wall profile = 183 mm)

H1 =		mm
------	--	----

3. Determine the height on the garden side (H2)

Distance measured from the ground up to the lower side of the gutter profile.

H2 =		mm
------	--	----

4. Determine the desired depth (D)

Distance measured from the wall up to the front side of the upright.

D =		mm
-----	--	----

Also read the extra attention points on page 2 and 3 attentively, to check whether they apply to you. You can find the specifications on page 4.

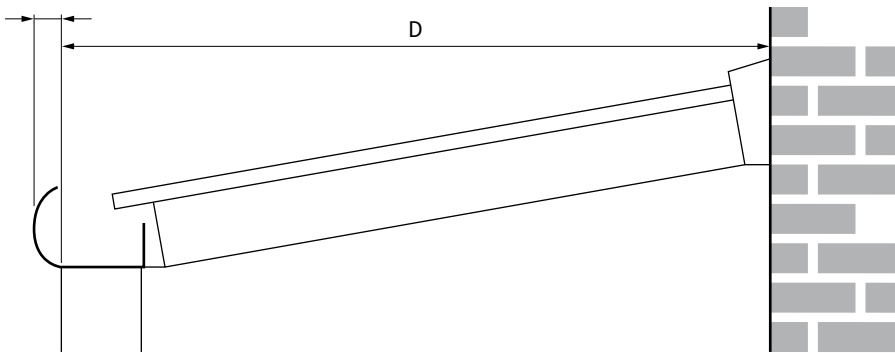
Extra attention points!

Watch for any obstacles!

Take rain pipes and other obstacles that can obstruct mounting on the wall into account.

Watch for the gutter at the projection depth!

The ordering size of the depth (D) is the distance measured from the wall to the front side of the upright. However, the gutter protrudes a little. The actual depth is therefore a little longer. Please view the specifications for the specific sizes.



Ideal height wall- and gutter profile

Look carefully at what height you can fasten the wall profile.

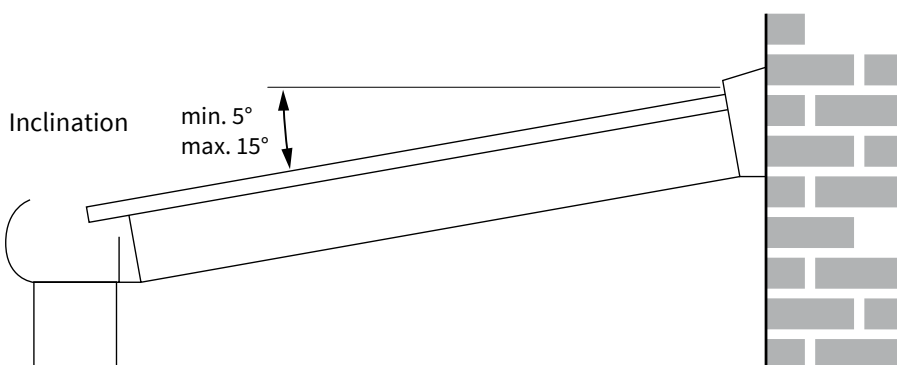
The ideal height for the underside of the wall profile (H1) is 2500 – 2700 mm from the ground.

The ideal height for the underside of the gutter profile (H2) is 2100 – 2300 mm from the ground.

For a good passage height, a minimal height of 2 meter is necessary on the garden side (H2).

Inclination

The veranda has a variable inclination. The inclination of the veranda roof is depending on the sizes **H1**, **H2** en **D**.



Patio doors and windows

Take patio doors and windows into account when calculating the inclination. Keep at least 30 centimeters between the window frame and the underside of the wall profile.

Uprights and roof plates

The amount of uprights and roof plates depends on the width of your veranda. Please view the table at the specifications.

Concrete bases

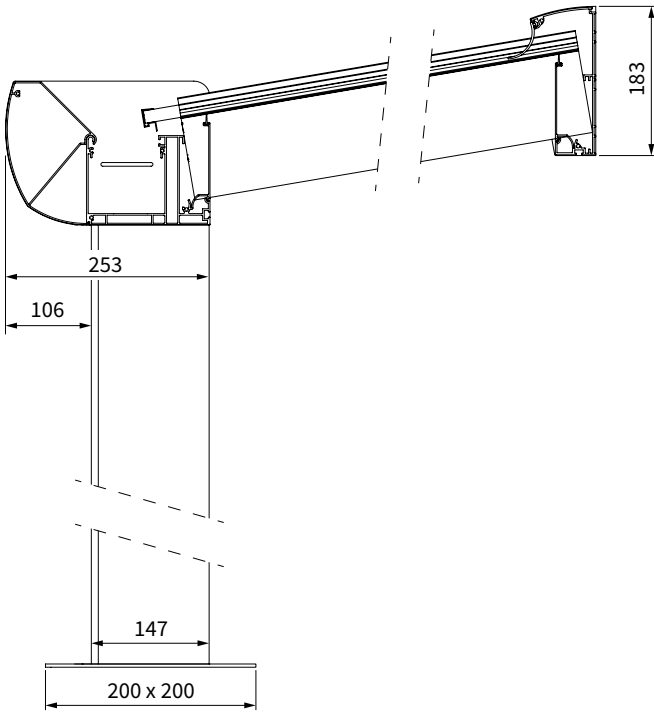
For an additional charge, you can order complete concrete bases. You can dig in this foundation and afterwards you can place the uprights on the foundation. The concrete bases are provided with threaded ends with customized nuts for the foot plate that is included with the uprights.

Lighting

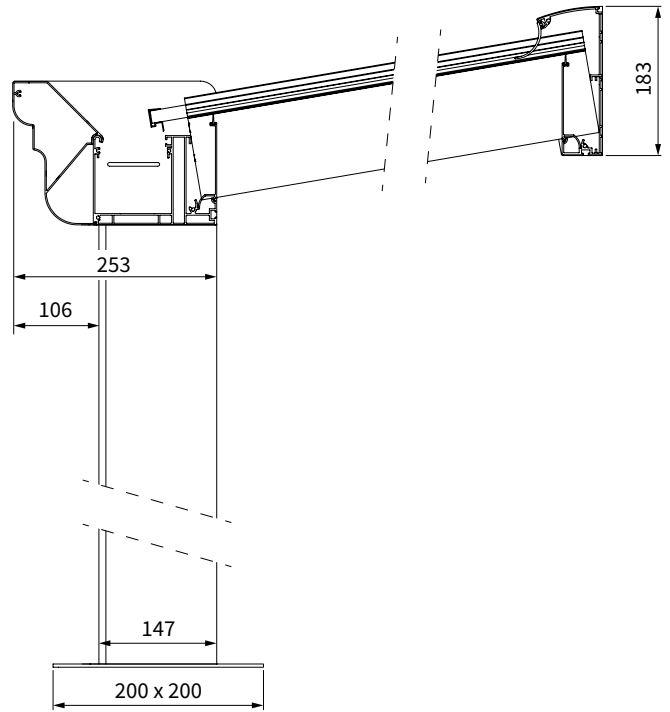
You can order a lighting set at an additional price. This set consists of three spots (halogen or led) that can be integrated in the beam of your veranda. One lighting set is good for one beam.

Specifications V910 - Garda

Sizes in mm



side view Garda with standard gutter profile



side view Garda with classic gutter profile

Width [mm]	Number of uprights/posts	Number of roof plates/fields of		
		Polycarbonate	Glass 44.2	Glass 55.2
3000	2	3	5	4
3500	2	4	5	5
4000	2	4	6	5
4500	2	5	7	6
5000	2 or 3 (projection dependant)	5	7	6
5500	2 or 3 (projection dependant)	6	8	7
6000	3	6	9	7
6500	3	7	9	8
7000	3	7	10	9