

INSTALLATION MANUAL  
**CONSERVATORY BLIND V650 - TALLINN**

## Index

	page
Important before installation	1
Exploded view	2
Partslist	2
Required tools	2
<b>Conservatory blind V650-Tallinn for veranda V905-Iseo</b>	
1. Preprocessing the side guides	3
2. Placing the cord guiding blocks	4
3. Placing the running wheels	4
4. Mounting of the cord	5
5. Placing the coveringcaps	6
6. Installing the side guides	6
7. Installing the conservatory blind	7
8. Connecting and tightning the cord	9

## Important before installation

### General warning

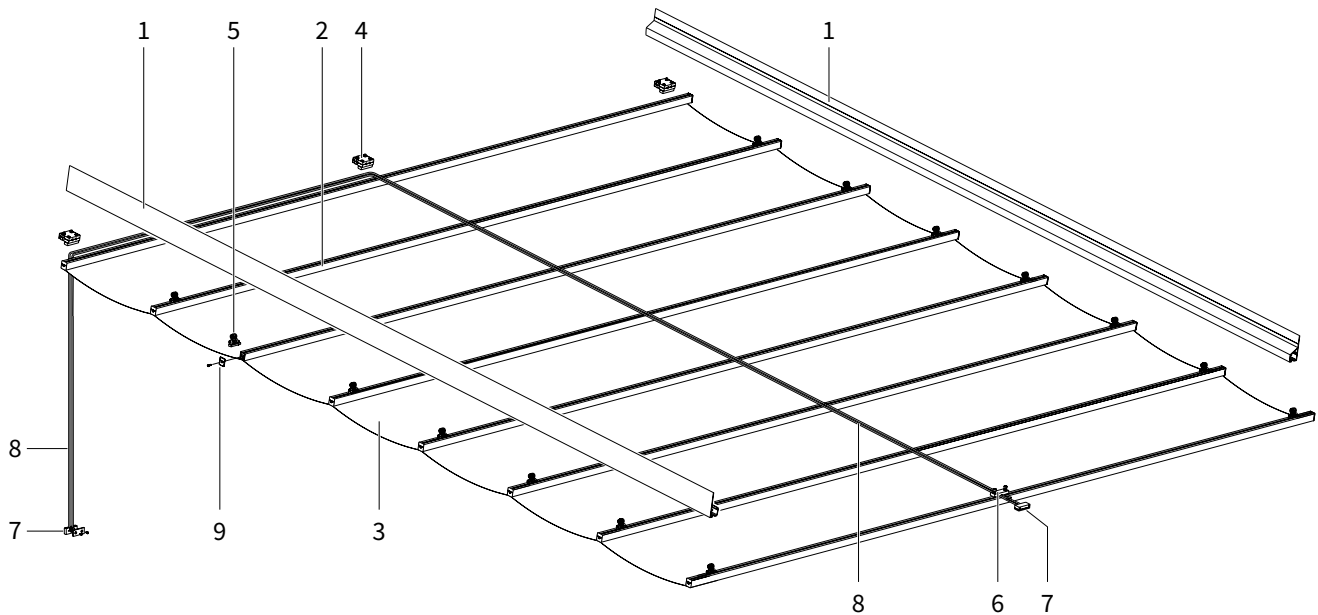
Installation of this product is at your own risk. Use this installation instruction only as an assistance and only with the installation of this specific product. If you can not install this product yourself, you can always opt for professional installation. Your dealer's installation team is always ready to assist you.

### Please be aware of damages

Do not use a knife or any other sharp object while opening the packaging. The product could get damaged. Place the product on a soft surface. Please take care while drilling. Drilling waste may cause damages.

**Warning!** Not suitable for use on verandas that are equipped with lighting and/or terrace heating.

### Exploded view



### Partslist

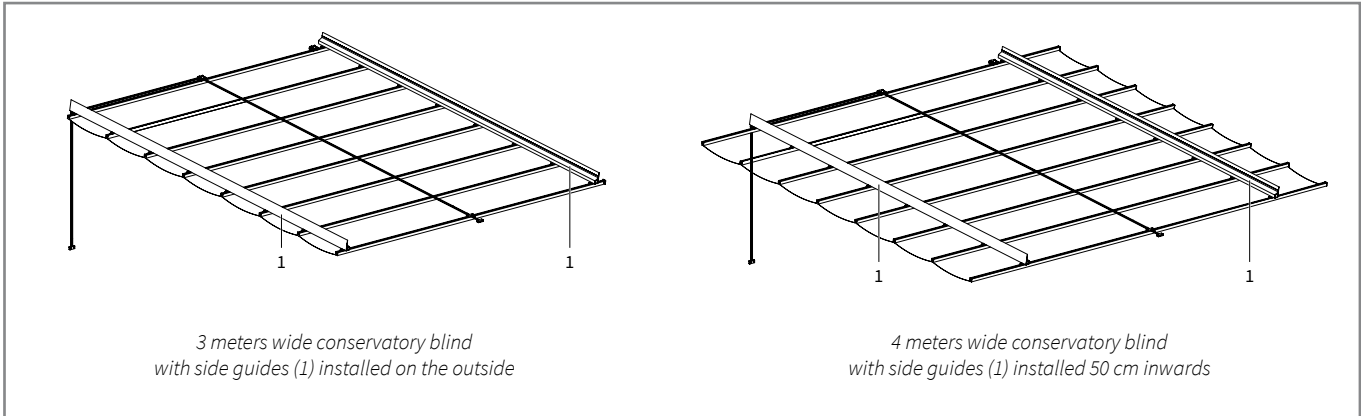
1. Side guide (2x)
2. Stiffeners
3. Fabric
4. Cord guiding block (3x)
5. Running wheel, amount depends on the amount of stiffeners
6. Cord fixing block (1x)
7. Cord guider (2x)
8. Cord
9. Covering cap

### Required tools

- Drilling machine
- Metal drill
- Crosshead screwdriver
- Allen key set
- Tape measure
- Pencil
- Cutting plier
- Flathead screwdriver

### Conservatory blind V650-Tallinn for veranda V905-Iseo

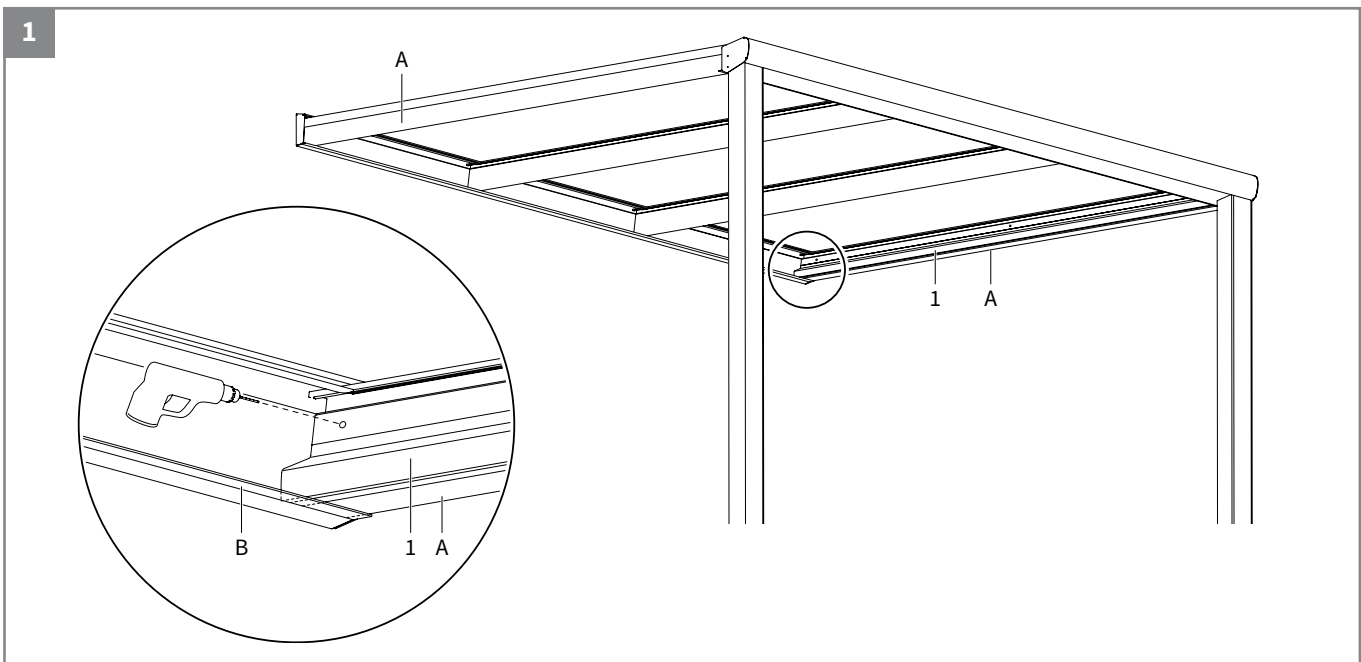
In this mounting instruction a 3 meter wide conservatory blind is shown and described as an example. With the 4 meter wide version, the method is identical, except for the mounting of the side guides with running wheels and cord guide block, which are on a different place. Based on the information on the order form, your conservatory blind has been custom made and can have different sizes to the one which is described in this installation manual.



The side guides (1) are mounted against the outer veranda beams (A) in this manual.

With a 4 meters veranda, the side guides (1) are mounted against the inner beams. This because the distance from side guide to side guide can be 3 meters maximum.

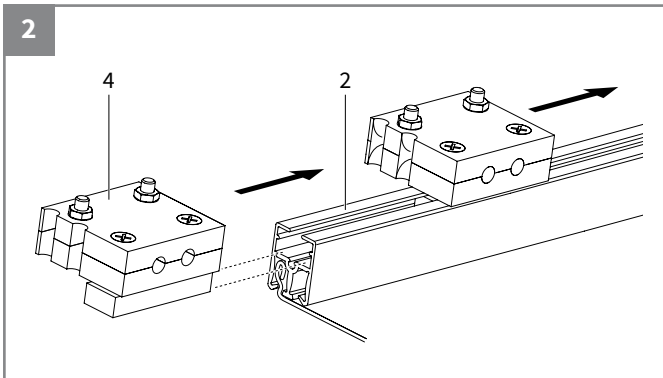
#### 1. Preprocessing the side guides



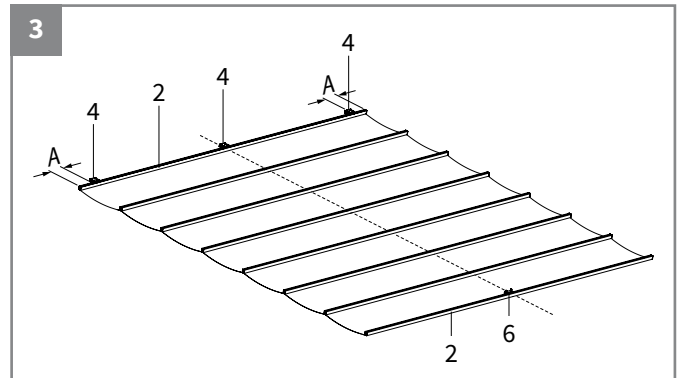
With this 3 meters wide conservatory blind the side guides (1) are mounted against the outer veranda beams (A).

- Place the side guides (1) for the time being at the bottom side of the tilt profile (B) of the veranda.
- Drill three holes through (Ø 3 mm).

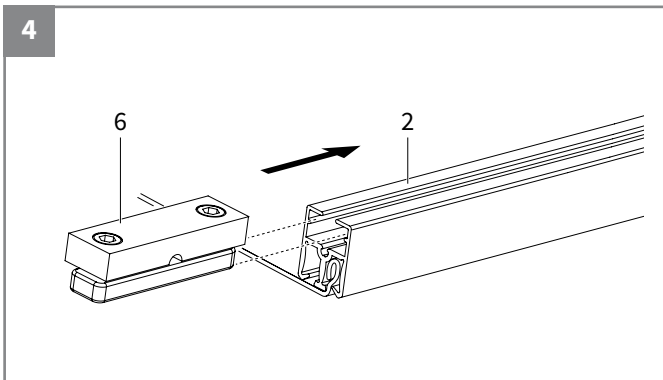
### 2. Placing the cord guiding blocks



- Place the conservatory blind, consisting of stiffeners and fabric on a clean surface and unroll completely.
- Slide the cord guiding blocks (4) into the last stiffener (2).

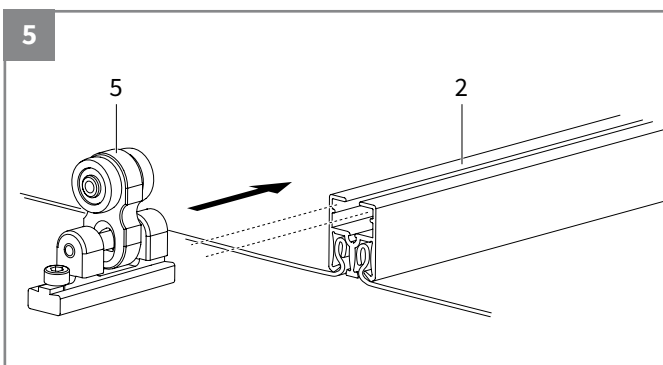


- Place the middle cord guiding block precisely in the middle.
- Size A depends on the position of the side guides (1). With the 3 meters conservatory blind, size A is 20 cm.

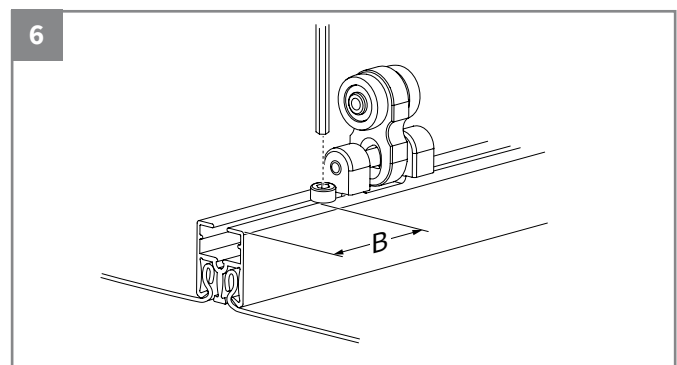


Slide the cord fixing block (6) in the front stiffener and place also precisely in the middle.

### 3. Placing the running wheels

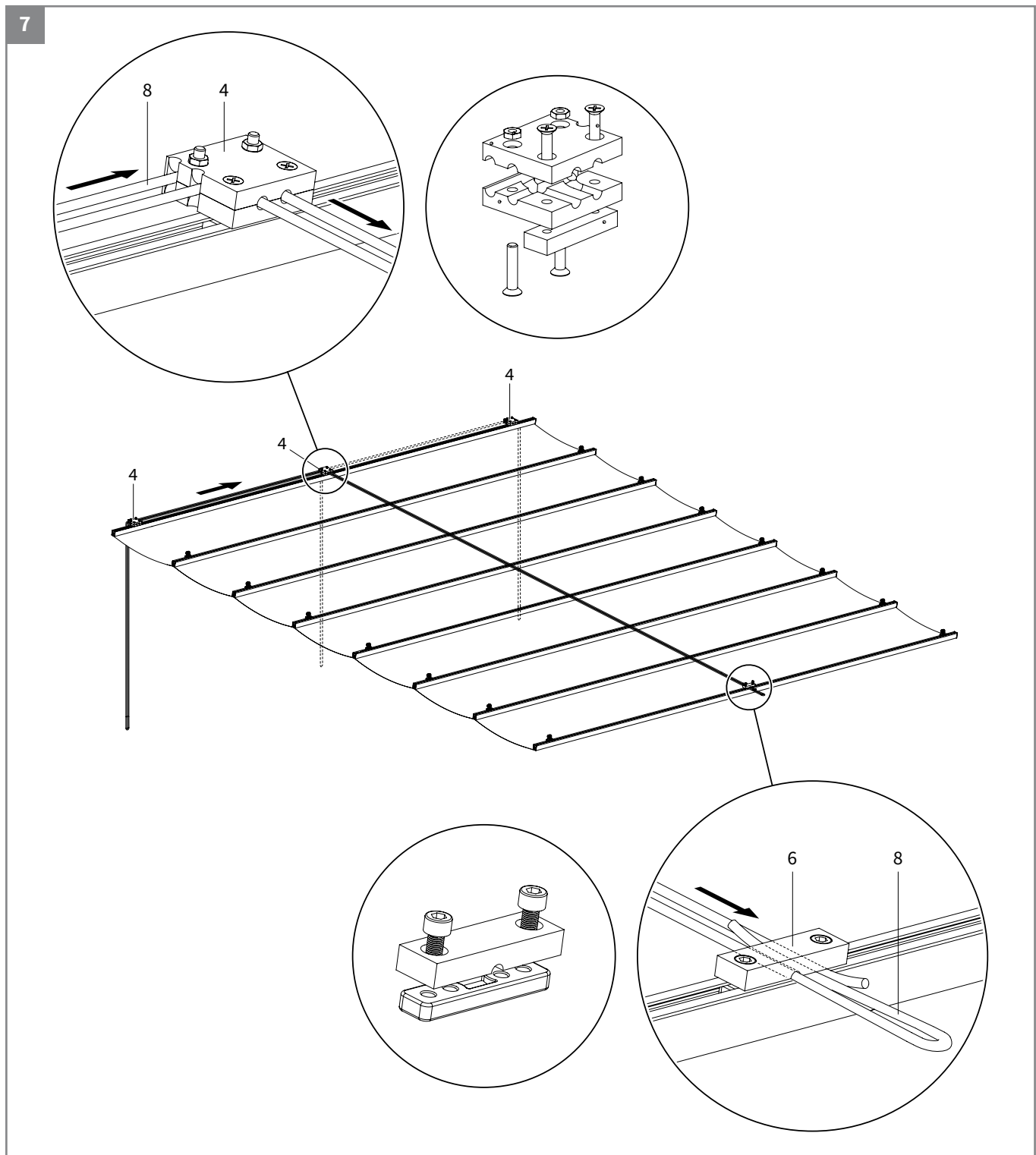


Slide the running wheels (5) into the stiffeners (2), on both sides. Mind the position of the allen bolt.



Tighten the running wheel with an Allen key. Size (B) depends on the position of the side guides. With the 3 meters version the size is 50 mm.

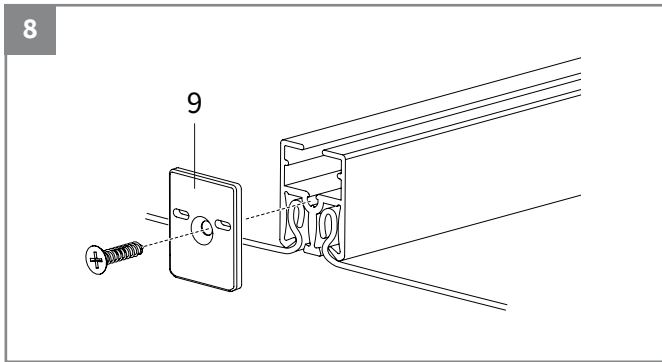
### 4. Mounting of the cord



- Mount the cord through the cord guiding blocks (4). If required, unscrew the blocks a bit to conduct the cord (8) through.
- Fix the cord into the cord fixing block (6) by clamping the cord ends together. The cord (8) can move freely under the little bridge. Fix the ends of the cord by clamping the cord ends together under the flat part of the cord fixing block (6).

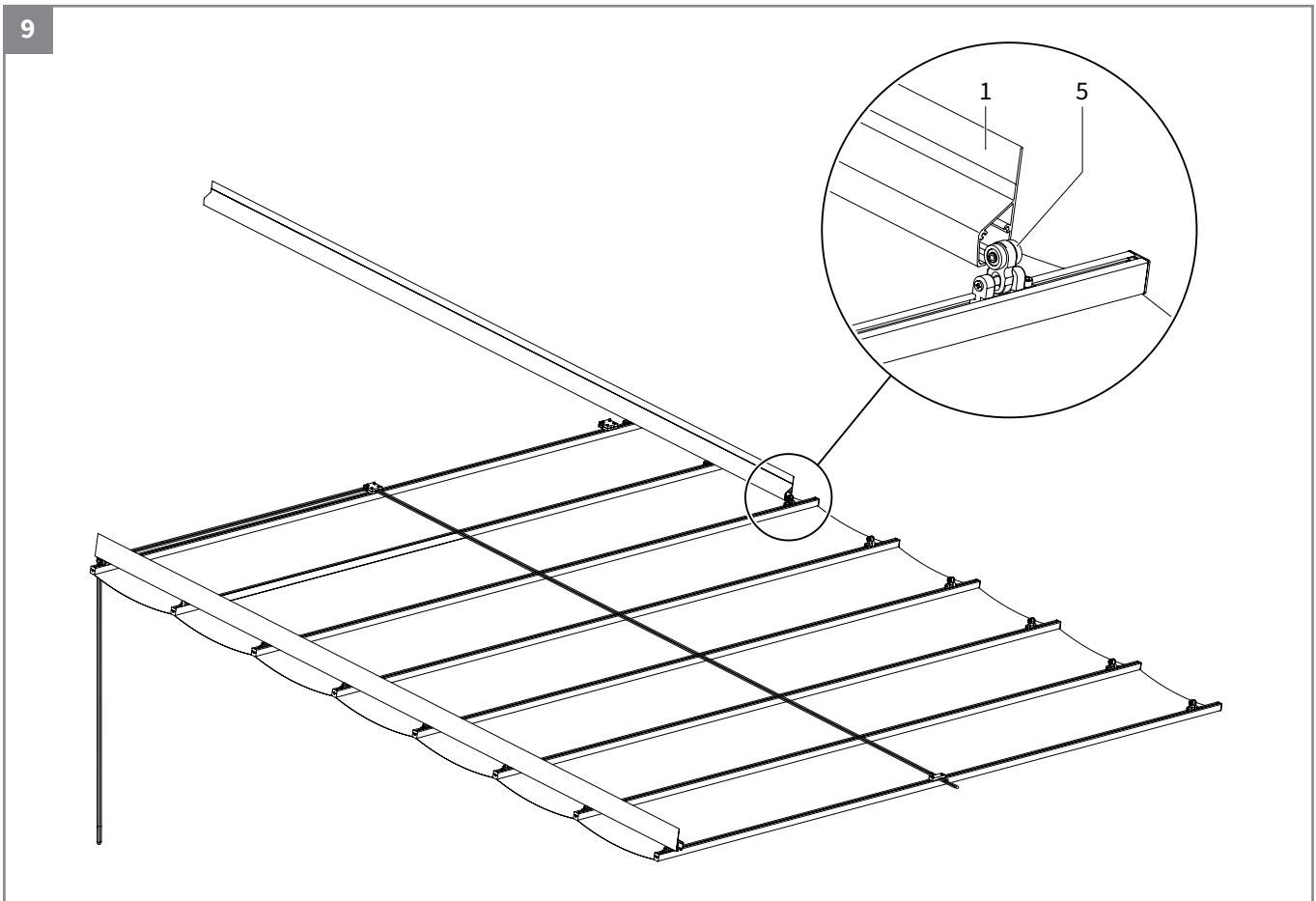
In this situation, the cord (8) hangs on the left side, but it can easily be placed on the right side or in the middle.

### 5. Placing the coveringcaps



Place the coveringcaps (9) at both ends of the stiffeners.

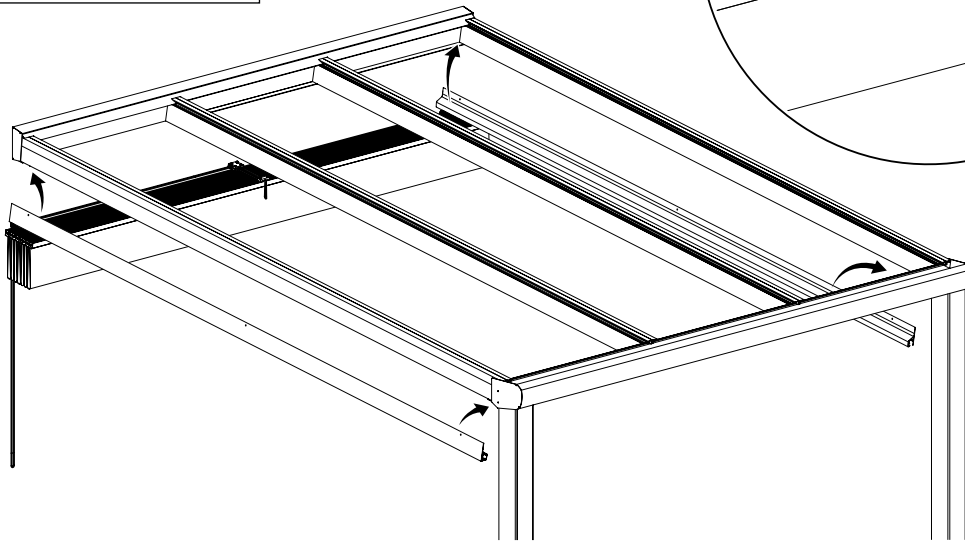
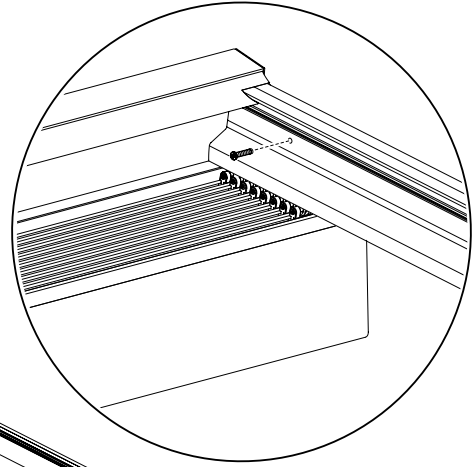
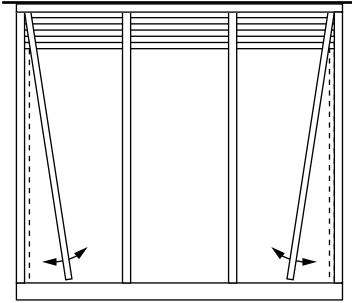
### 6. Installing the side guides



Slide the side guides (1) over the running wheels.

## 7. Installing the conservatory blind

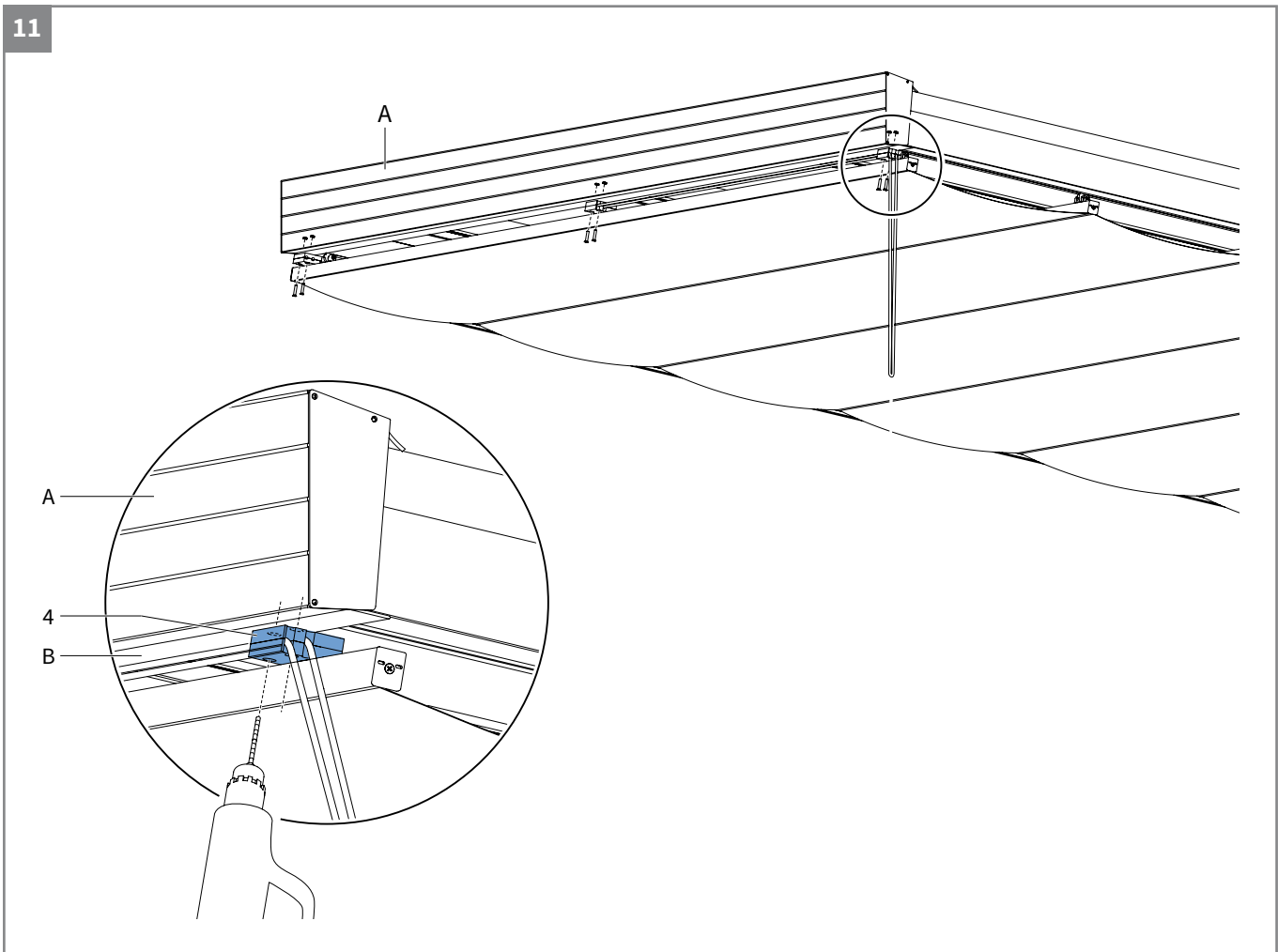
10



- Slide the conservatory blind all the way back and install under the veranda roof. Place the side guides onto the tilt profiles. Do this by turning in the conservatory blind from the side.
- Tighten with screws in the previously drilled mounting holes (see figure 1).



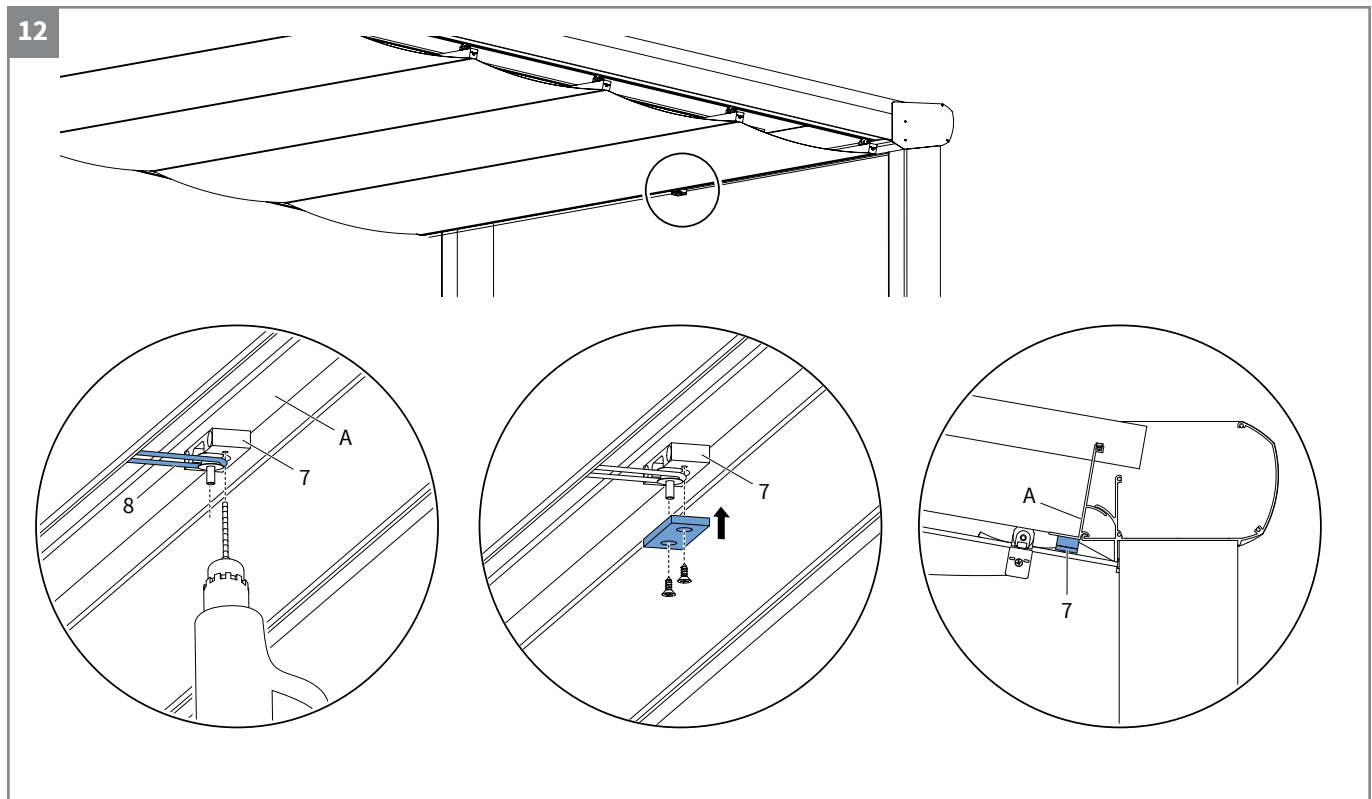
11



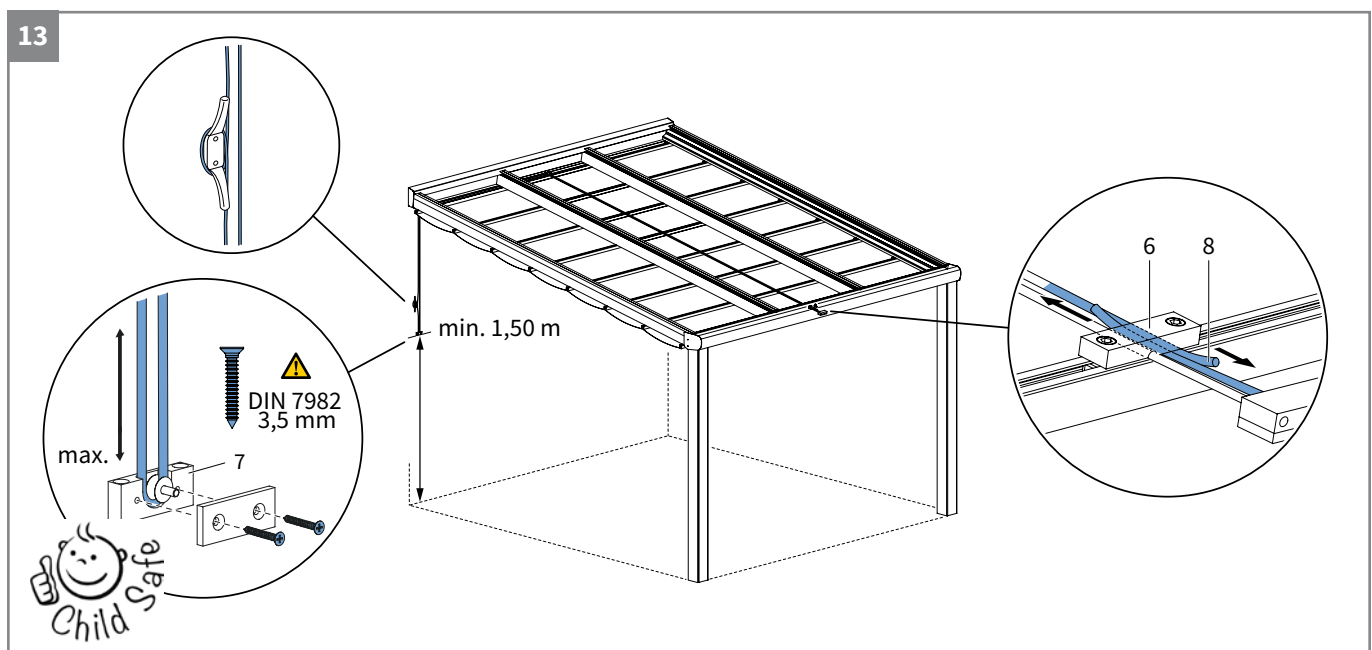
- Screw the cord guiding blocks onto the wall profile (A).
- Remove the screws in the cord guiding blocks (4).
- Now slide the conservatory blind backwards as far as possible.
- Now drill the open holes in each block through into the tilt profile (B), Ø 3 mm and tighten with self-tapping screws. (A bolt or nut connection is also possible. In this case, drill the hole at Ø 5 mm.)

Tip: fully extend the conservatory blind for an easy mounting.

### 8. Connecting and tightening the cord



- Disassemble/open the cord guider (7). Attach the cord to the cord guider.
- Place the cord guider onto the tilt profile (A). Drill two holes  $\varnothing$  3 mm.
- Close the cord guider (7) and tighten with self-tapping screws.



To keep the conservatory blind taut the cord needs to be tightened.

- For child safety reasons, the cord guider (7) needs to be mounted at least 1.50 m height from the floor.
- Wrap the cord 1x over the cord frog.
- Fix the cord into the cord fixing block (6) (see also figure 7), and cut off excess cord if necessary.

The mounting of the V650 - Tallinn is now ready.